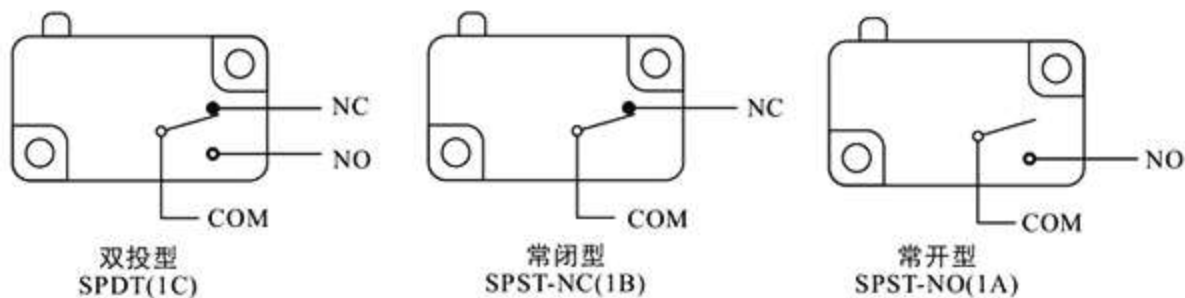


- Adopt thermosetting plastic or thermoplastic;
- Small contact gap,snap action,high sensitivity and small operating travel;
- Variety of levers;
- Widely used in appliance,electronic equipment,automatic machine,communication equipment,car electric,apparatus and instrument,electro motion tool etc.

Model & Meanings



Contact Forms



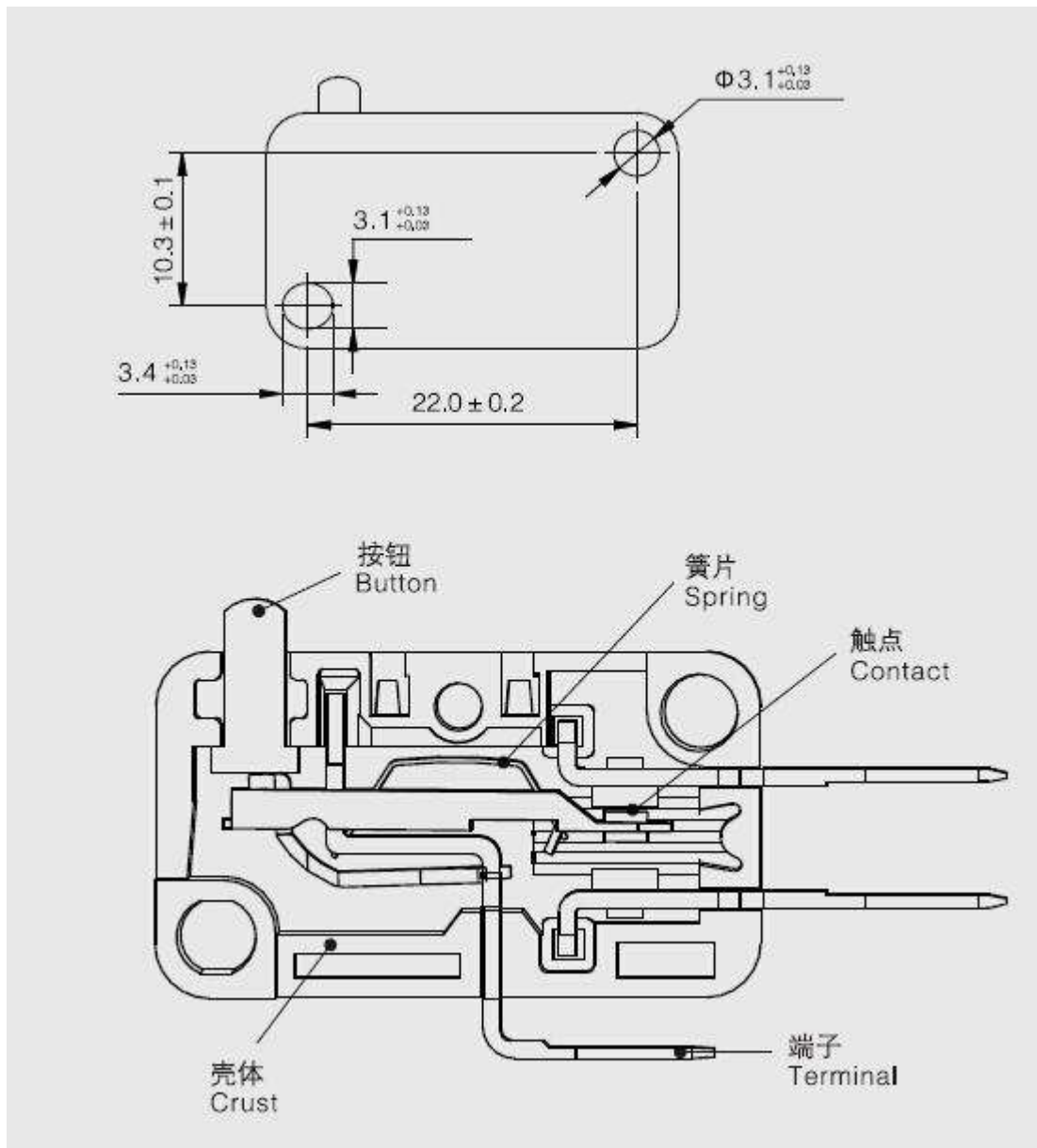
Specification

Item 项目	参数值 Data	
Operating speed 操作速度	0.1mm-1m/s	
Operating frequency 操作频率	机械 Mechanical	600次/分 600times/min
	电气 Electrical	30次/分 30times/min
Insulation resistance 绝缘电阻	100MΩ以上 (Above) DC500V	
Contact resistance 接触电阻	25mΩ(初值 initial value)	
Withstand voltage 介质耐压	非连线 Non-connection wire	1000VAC
	各端子间 Every terminal	1500VAC
Vibration 振动	误动作 Misoperation	10-55Hz 复振幅 Amplitude 1.5mm
Impact 冲击	耐久 Durable	1000m/s ²
	误动作 Misoperation	300m/s ²
Life 寿命	电气 Electrical	100,000次以上 above
	机械 Mechanical	1,000,000次以上 above
Protection degree 防护等级	IP40	
Operating temperature 使用温度	-25~+80°C	
Operating humidity 使用湿度	<85%	

Rating

额定电压Ue(V)	额定电流Ie(A)	发热电流Ith(A)
AC-250	7.5	10
AC-125	15	20
DC-250	0.3	0.45
DC-125	0.6	0.75
AC-250	16	20

Mounting Hole Dimensions & Structure



Terminal Forms

