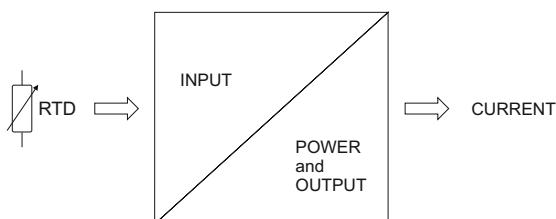


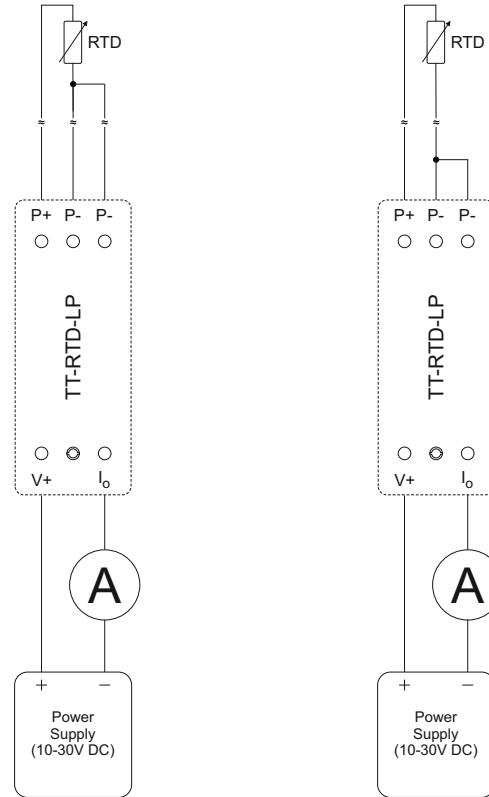
type	input temperature range	order no
TT-RTD-LP (17.5 mm)	-50°C .. 100°C	603 860
TT-RTD-LP (17.5 mm)	0°C .. 100°C	603 861
TT-RTD-LP (17.5 mm)	0°C .. 150°C	603 862
TT-RTD-LP (17.5 mm)	0°C .. 200°C	603 863
TT-RTD-LP (17.5 mm)	0°C .. 300°C	603 864
TT-RTD-LP (17.5 mm)	-50°C .. 150°C	603 865
TT-RTD-LP (17.5 mm)	-50°C .. 200°C	603 866
TT-RTD-LP (17.5 mm)	0°C .. 500°C	603 867
TT-RTD-LP (17.5 mm)	Special product	603 868
TT-RTD-LP (8.4 mm)	-50°C .. 100°C	604 100
TT-RTD-LP (8.4 mm)	0°C .. 100°C	604 101
TT-RTD-LP (8.4 mm)	0°C .. 150°C	604 102
TT-RTD-LP (8.4 mm)	0°C .. 200°C	604 103
TT-RTD-LP (8.4 mm)	0°C .. 300°C	604 104
TT-RTD-LP (8.4 mm)	-50°C .. 150°C	604 105
TT-RTD-LP (8.4 mm)	-50°C .. 200°C	604 106
TT-RTD-LP (8.4 mm)	0°C .. 500°C	604 107
TT-RTD-LP (8.4 mm)	Special product	604 108

technical specifications

Input type	PT100, 2 or 3 wire connection
Sensor excitation current	< 0.6mA
Output current	4 .. 20mA
Linear output range	3.6mA .. 23.6mA
Sensor failure	3.1mA (1 wire is broken) 24.6mA (at least 2 wire is broken)
Measurement error	< %0.1 Full scale
Response time	< 20ms
Load	≤ 750Ω
Temperature coefficient	≤ %0.02/°C
Supply voltage	10 .. 30V DC
Operating temperature	-20°C .. 60°C
Protection	Over voltage and reverse connection protection
IP class	IP20
Connection	Screw terminals / Cage clamp
Mounting type	Rail mounted



connections



(3 wire connection)

(2 wire connection)

dimensions

