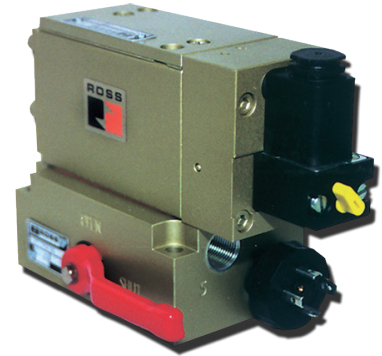


PUSHER VALVE

5/2 Cartridge Poppet Valve - Solenoid Pilot Operated - Internal Pilot Supply

- High-speed poppet construction
- Constant repeatability
- Non-friction seat seals
- Non-lube
- Solenoid, remote pilot options
- Dual pressure options
- Locking, non-locking manual overrides
- Special versions available



DESIGN

Poppet Valve: Viton-seals on metal seat.

Body: Aluminum alloy.

Size: ND 9, for existing ANSI-sub-base (Cv = 1), e.g. W500B91. ISO interface also available.

STANDARD SPECIFICATIONS

Solenoids: Rated for continuous duty; AC or DC power.

Power Consumption: 10,9 VA max. inrush, 8,5 VA max. holding on 50 or 60 Hz; 6,5 watts nominal on DC.

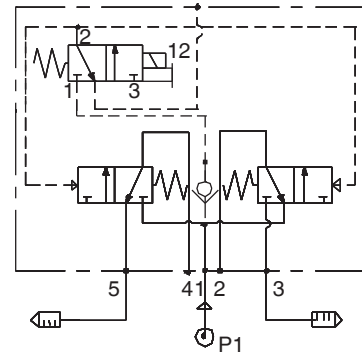
Flow Medium: Compressed air, filtered.

Ambient Temperature: -17° to 80° C (0° to 175° F).

Media Temperature: -17° to 150° C (0° to 300° F).

Inlet Pressure: 1,0 to 6 bar (15 to 90 psig).

Model Number: D2176D2903
(can be used for replacement of W7476A2910)



We reserve the right to introduce technical modifications.

Dimensions - mm (inches)

