



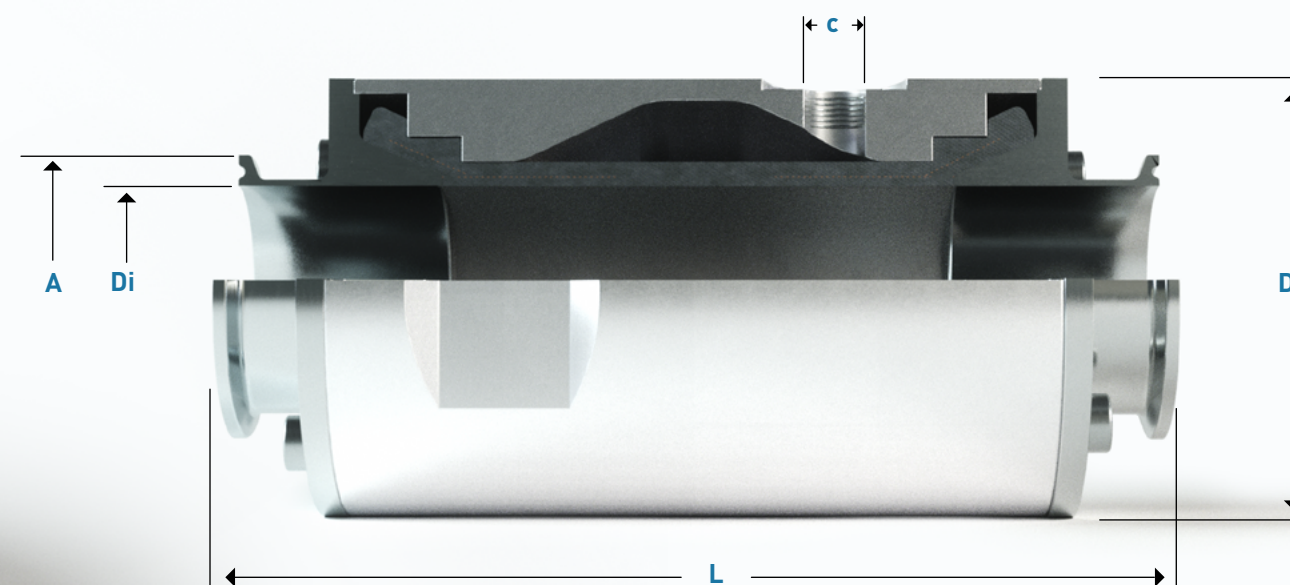
# SERIES 88

Nominal widths: **Tri-Clamp 1/2", 3/4", 1", 1 1/4", 1 1/2", 2", DIN 32676 series A**  
 Especially suitable for: **Food and Beverages**



www.ho-matic.ch

## Dimensions



DN	Di	A	L	Da	c	Vol. l'	kg
15	16 / 1/2"	34	136,2	44	G 1/8"	0,04	0,40
20	20 / 3/4"	34	146,2	55	G 1/8"	0,05	0,55
25	26 / 1"	50,5	174,6	60	G 1/8"	0,07	0,85
32	32 / 1 1/4"	50,5	159	73	G 1/8"	0,10	1,15
40	38 / 1 1/2"	50,5	168	83	G 1/8"	0,13	1,45
50	50 / 2"	64	202	99	G 1/4"	0,28	2,40

Vol. l' - Control volume for closed valve

## Material specifications

**Screws**  
Stainless steel A4

**Tri-Clamp**  
Stainless steel 1.4404

**Sleeve**  
as selected

**Housing** (not in contact with medium)  
aluminium alloy 6026, colourless anodised



Special versions on request

Assembly videos, service instructions, spare parts, conformities etc. see: [ho-matic.ch/downloads](http://ho-matic.ch/downloads)

## Article number

Series	DN	Sleeve   Quality							Version	
		NR	NR-L	NR-LH	NBR-LH	EPDM-L	FPM	CR	CSM	Standard
88	015.	001.	011.	021.	121.	212.	303.	401.	501.	000
	020.									
	025.									
	032.									
	040.									
050.	ATEX-Versions:				NR-E	NR-LE	NBR-LE	EPDM-LE	ATEX	
										000

## Example orders

Valve complete: 88040.212.000 | Sleeve: 8040.212.000 | Spare parts:

## Control | Accessories

