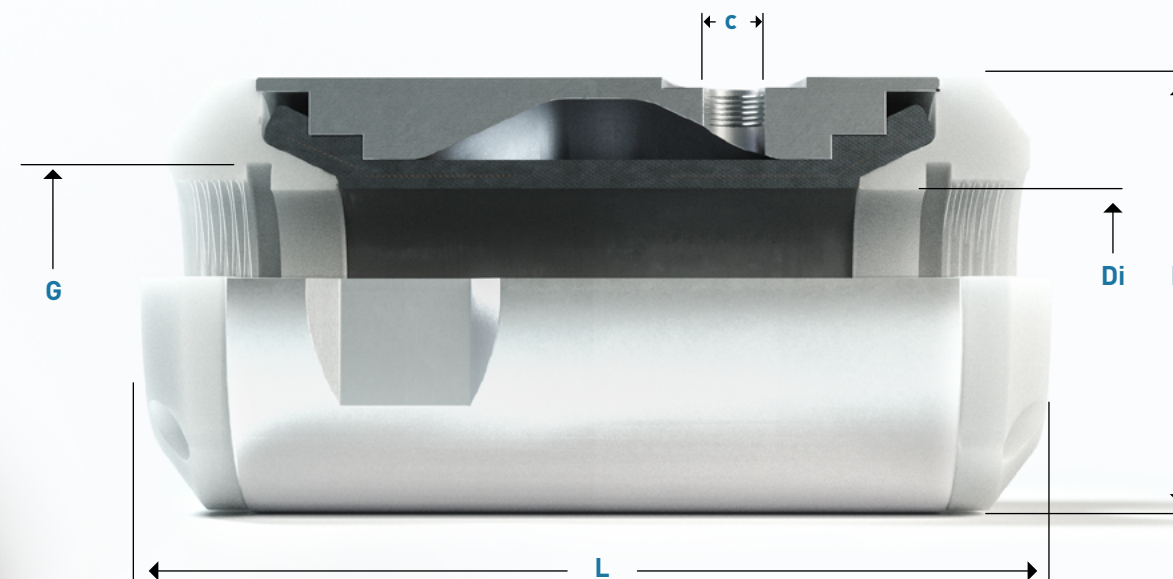


SERIES 80

Nominal widths: **G 3/8", 1/2", 3/4", 1", 1 1/4", 1 1/2", 2"**
 Especially suitable for: **customer specific applications**



Dimensions



DN	Di	G	t	D	L	c	Vol. l'	kg
10	10	G 3/8"	12	38	80	M5	0,03	0,14
15	15	G 1/2"	14	44	95	G 1/8"	0,04	0,22
20	20	G 3/4"	17	55	110	G 1/8"	0,05	0,37
25	25	G 1"	20	60	125	G 1/8"	0,07	0,46
32	32	G 1 1/4"	20	73	140	G 1/8"	0,10	0,71
40	40	G 1 1/2"	20	83	150	G 1/8"	0,13	0,89
50	50	G 2"	25	99	185	G 1/4"	0,28	1,49

Vol. l' - Control volume for closed valve

Material specifications

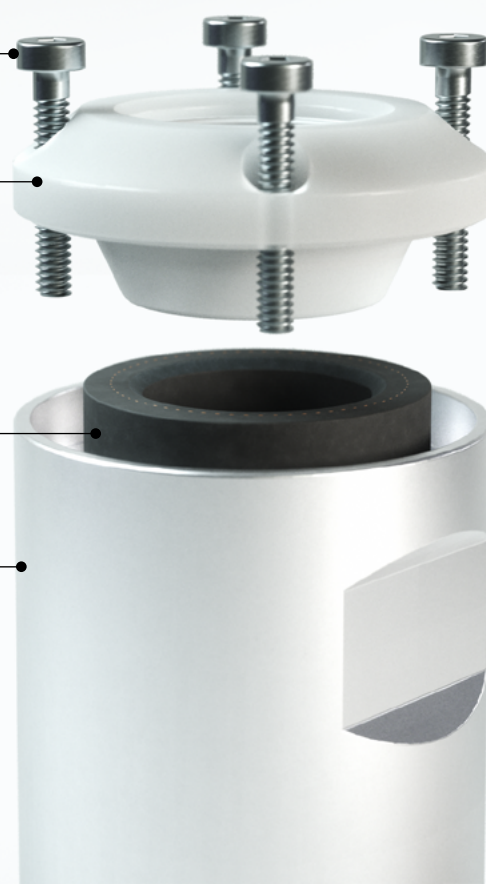
Screws
galvanized steel / stainless steel A4

Threaded cover
as selected:

- plastic POM, natural white
- plastic POM-ELS, conductible, black
- aluminium, colourless anodised
- stainless steel 1.4404

Sleeve
as selected

Housing (not in contact with medium)
Aluminium alloy 6026, colourless anodised



Special versions on request

Assembly videos, service instructions, spare parts, conformities etc. see: ho-matic.ch/downloads

Article number

Series	DN	Sleeve Quality							Version	
		NR	NR-L	NR-LH	NBR-LH	EPDM-L	FPM	CR	CSM	Standard
80	010.	001.	011.	021.	121.	212.	303.	401.	501.	000
	015.									Alu
	020.									082
	025.									1.4404
	032.									083
	040.									
	050.									
ATEX-Versions:						NR-E	NR-LE	NBR-LE	EPDM-LE	ATEX
						031.	061.	161.	262.	081

Example orders

Valve complete: 80032.001.000 | Sleeve: 8032.001.000 | Spare parts:

Control | Accessories

