

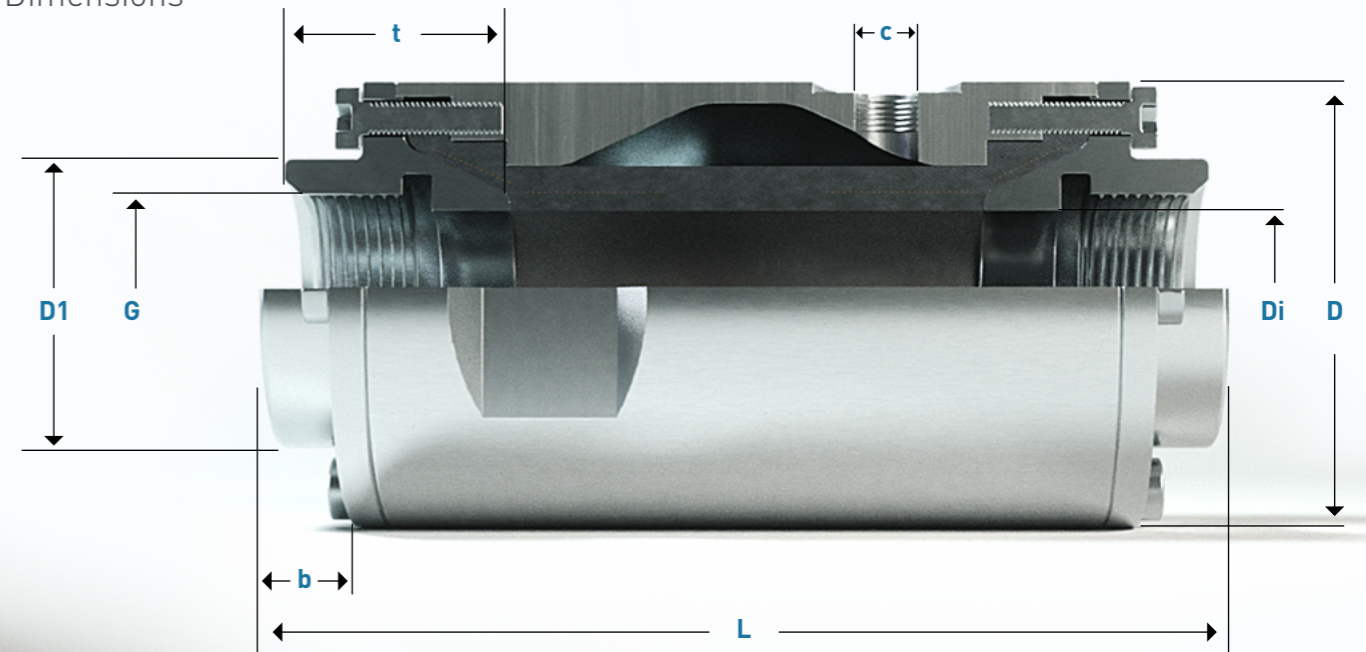


SERIES 70

Nominal widths: **G 3/8", 1/2", 3/4", 1", 1 1/4", 1 1/2", 2", 2 1/2"**
 Especially suitable for: **pharmaceutical, chemical and food industry**



Dimensions



DN	DI	G	t	D	D1	L	c	Vol. l'	kg
10	10	G 3/8"	12	38	22	80	M5	0,03	0,40
15	15	G 1/2"	14	44	27	95	G 1/8"	0,04	0,60
20	20	G 3/4"	17	55	34	110	G 1/8"	0,05	0,80
25	25	G 1"	20	60	39	125	G 1/8"	0,07	1,10
32	32	G 1 1/4"	20	73	50	140	G 1/8"	0,10	1,70
40	40	G 1 1/2"	20	83	58	150	G 1/8"	0,13	2,20
50	50	G 2"	25	99	70	185	G 1/4"	0,28	3,70
65	65	G 2 1/2"	28	119	86	230	G 1/4"	0,49	6,30

Vol. l' - Control volume for closed valve

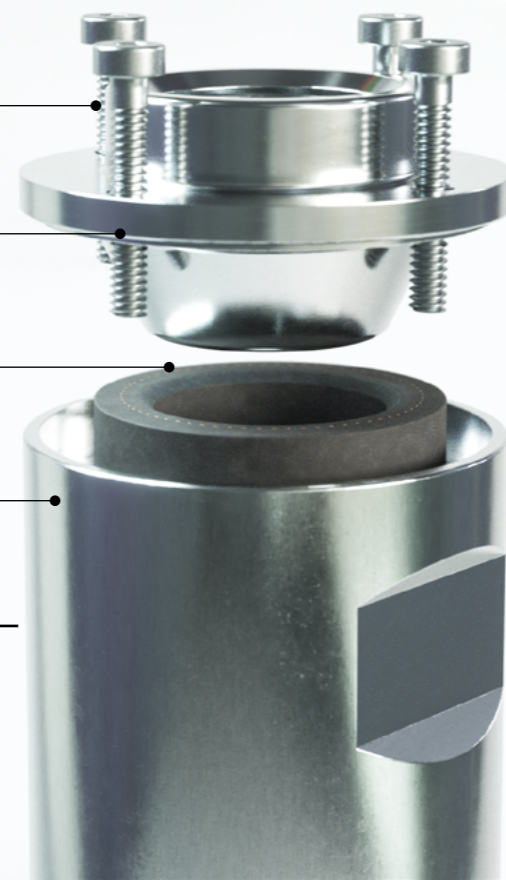
Material specifications

Screws
Stainless steel A4

threaded cover
Stainless steel 1.4404

Sleeve
as selected

Housing (not in contact with medium)
stainless steel 1.4404



Special versions on request

Assembly videos, service instructions, spare parts, conformities etc. see: ho-matic.ch/downloads

Article number

Series	DN	Sleeve Quality							Version	
		NR	NR-L	NR-LH	NBR-LH	EPDM-L	FPM	CR	CSM	Standard
70	010.	001.	011.	021.	121.	212.	303.	401.	501.	000
	015.									
	020.									
	025.									
	032.									
	040.									
	050.									
065.										
ATEX-Versions:						NR-E	NR-LE	NBR-LE	EPDM-LE	ATEX
						031.	061.	161.	262.	000

Example orders

Valve complete: 70040.001.000 | **Sleeve:** 7040.001.000 | **Spare parts:**

Control | Accessories

