

Our hit with the unmistakable square shape and its short length.



SERIES 21

Nominal widths: **DN32 + DN40 (DIN PN 10/16)**
 Especially suitable for: **powder coating and paint industry**



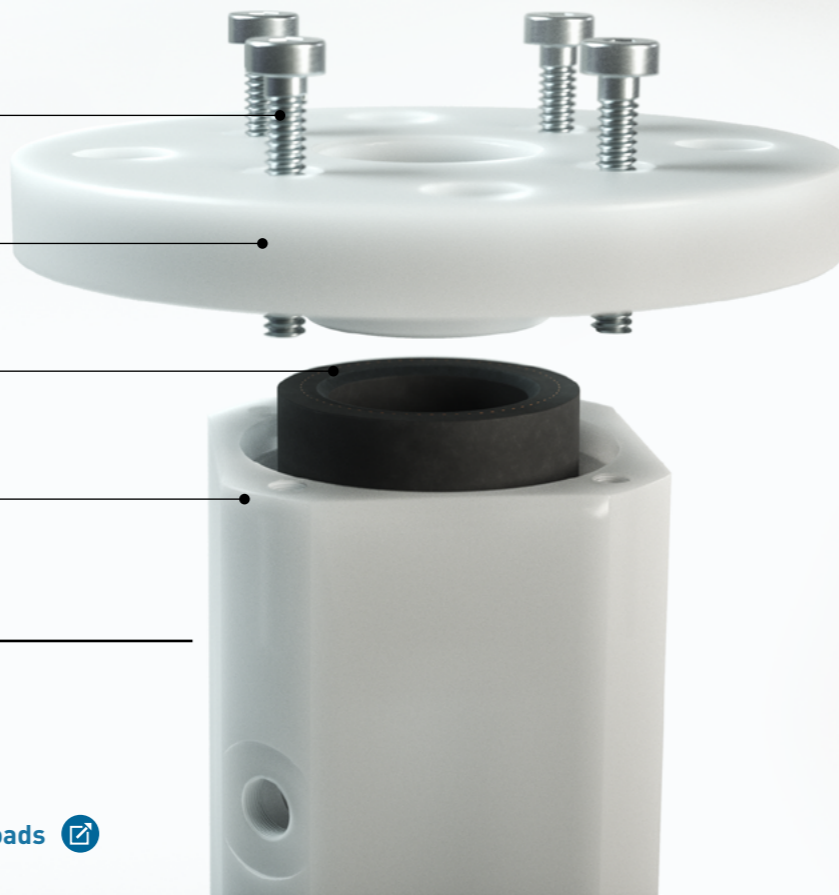
Material specifications

Screws
Galvanized steel

Flange
POM plastic (polyoxymethylene), natural white

Sleeve
as selected

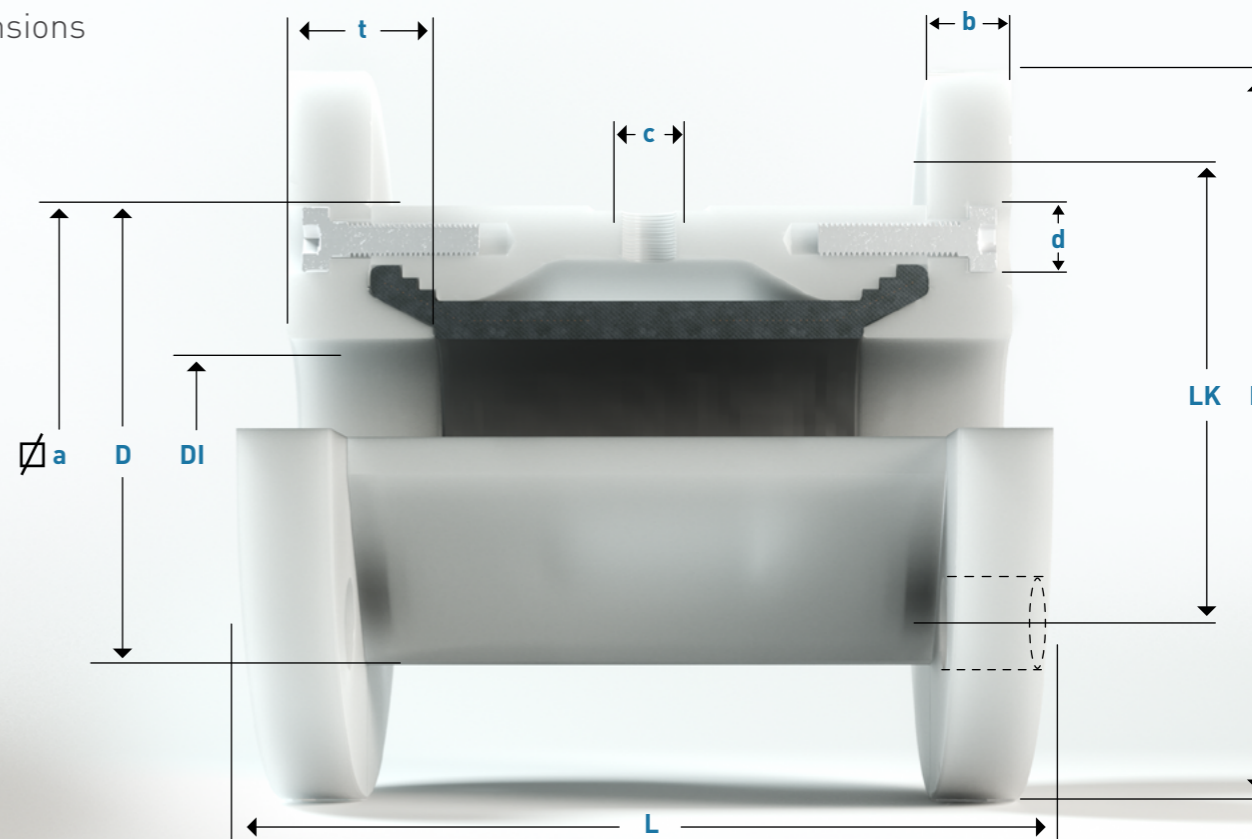
Housing (not in contact with medium)
POM plastic (polyoxymethylene), natural white



Special versions on request

Assembly videos, service instructions, spare parts, conformities etc. see: ho-matic.ch/downloads

Dimensions



DN	DI	t	D	L	d	c	a	Vol. l ¹	kg	LK	F
32	32	20	83	140	18	G 1/4"	70	0,10	1,00	100	140
40	40	20	95	150	18	G 1/4"	80	0,13	1,40	110	150

Vol. l¹ - Control volume for closed valve

Article number

Series	DN	Sleeve Quality								Version
		NR	NR-L	NR-LH	NBR-LH	EPDM-L	FPM	CR	CSM	Standard
21	032.	001.	011.	021.	121.	212.	303.	401.	501.	000
	040.									

Example orders

Valve complete: 21032.001.000 | Sleeve: 2032.001.000 | Spare part:

Control | Accessories

