

Industrial HMI Operator Panel P07

NOVAKON

P SERIES

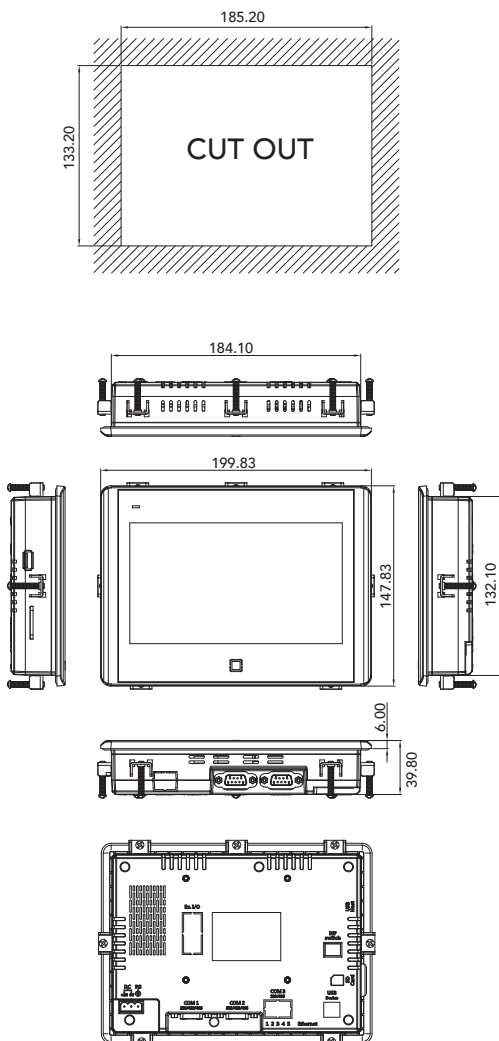


Features

- TI ARM® Cortex™-A8, Sitara™ AM3352 (1GHz)
- 7" TFT 800 x 480, 300 cd/m², 20,000 hours
- 19.2 ~ 28.8V, Isolated Power
- Painted plastic chassis, fan-less design
- Panel or VESA 75mm x 75 mm mount, IP65 front bezel
- ESD Protection : Level 4 (Contact Discharge 8KV, Air-Gap Discharge 15KV), Class A
- Suitable for industrial applications

Specifications

CPU	TI ARM® Cortex™-A8, Sitara™ AM3352 (1GHz)
Memory	512MB SDRAM
Storage	4GB eMMC
I/O	1 x USB 1.1 host Type A 1 x USB 2.0 device Type B 2 x RS232/422/485, COM1, COM2 1 x RS232/485, COM3 or CAN Bus (Option) 1 x 10/100 Mbit Ethernet Port or 2 x 10/100 Mbit (Option) 1 x SD Card Slot
Display	7" TFT, 800 x 480 Luminance 300 (cd/m ²) View angle 140/120 (H°/V°) Backlight Lifetime 20,000 hours Contrast ratio 500:1
Touch Screen	4-wire resistive touch
Power	19.2 ~ 28.8V Isolated Power
Construction	Painted Plastic
Net Weight(Kgs)	0.68 Kg
Mounting	Panel or VESA 75 x 75 mount
Dimensions (mm)	199.8(W) x 147.8(H) x 39.8(D)
Operating Temp.	0°C~ 50°C
Storage Temp.	-20°C ~ 60°C
Humidity	10% to 90% @ 40°C, (non-condensing)
ESD Protection	Level 4 (Contact Discharge 8KV, Air-Gap Discharge 15KV), Class A
Certification	CE/FCC (EN 61000-6-4, EN 61000-6-2)/UL



Ordering Information

P07F-N

7" TFT 800 x 480 fan-less HMI with ARM Cortex-A8(1GHz) CPU, 512MB RAM, 4GB eMMC, resistive touchscreen, Ethernet, 19.2 ~ 28.8V isolated power, painted plastic chassis and IP65 front bezel