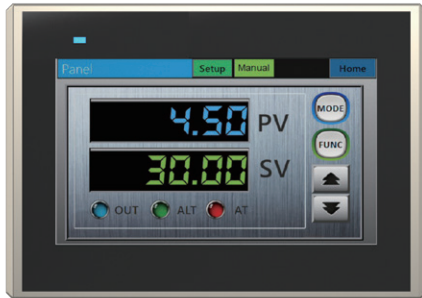


Industrial HMI Operator Panel P04

NOVAKON

P SERIES

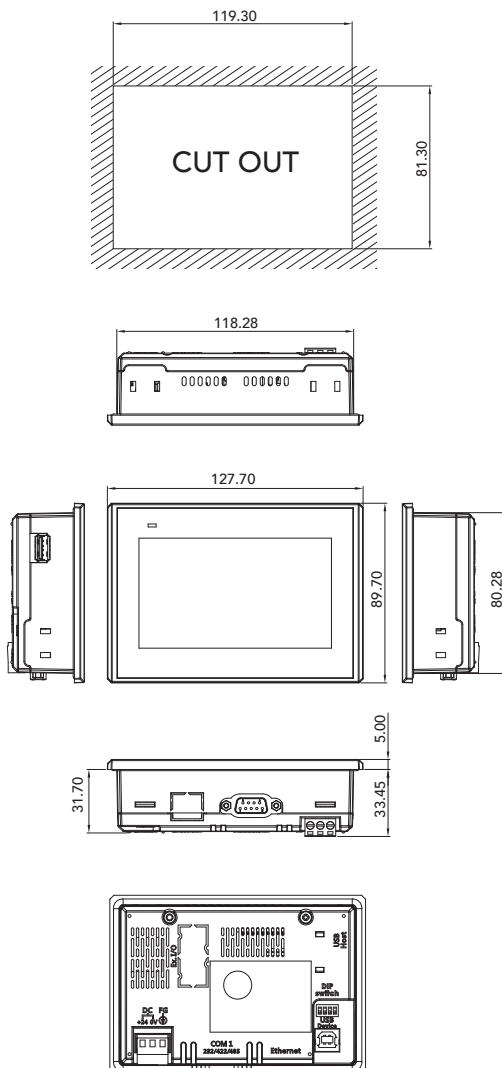


Features

- TI ARM® Cortex™-A8, Sitara™ AM3352 (1GHz)
- 4.3" TFT 480 x 272, 330 cd/m², 20,000 hours
- 19.2 ~ 28.8V, Isolated Power
- Plastic chassis, fan-less design
- Panel mount, IP65 front bezel
- Suitable for industrial applications

Specifications

CPU	TI ARM® Cortex™-A8, Sitara™ AM3352 (1GHz)
Memory	512MB
Storage	4GB eMMC
I/O	1 x USB 1.1 host Type A 1 x USB 2.0 device Type B 1 x RS232 1 x RS422/485, COM1 or CAN Bus (Option) 1 x 10/100 Mbit Ethernet Port
Display	4.3" TFT, 480 x 272 Luminance 330 (cd/m ²) View angle 140/120 (H°/V°) Backlight Lifetime 20,000 hours Contrast ratio 500:1
Touch Screen	4-wire resistive touch
Power	19.2 ~ 28.8V Isolated Power
Construction	Plastic
Net Weight(Kgs)	0.25 Kg
Mounting	Panel mount
Dimensions (mm)	127.7(W) x 89.7(H) x 36.7(D) mm
Operating Temp.	0°C~ 45°C
Storage Temp.	-20°C ~ 60°C
Humidity	10% to 90% @ 40°C, (non-condensing)
Certification	CE/FCC (EN 61000-6-4, EN 61000-6-2)



Ordering Information

P04F-N

4.3" TFT 480 x 272 fan-less HMI with ARM Cortex-A8(1GHz) CPU, 512MB RAM, 4GB eMMC, resistive touch screen, Ethernet, 19.2 ~ 28.8V isolated power, plastic chassis and IP65 front bezel