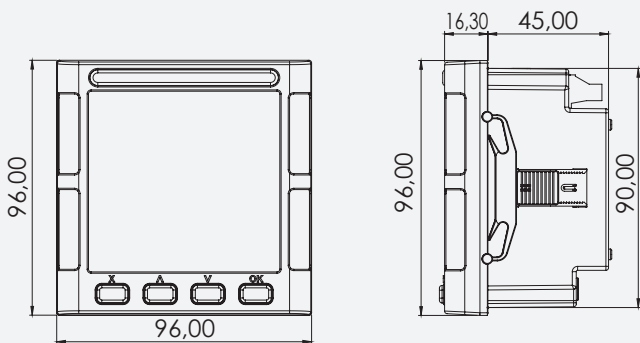




KLEA 5 SERIES ENERGY ANALYZER

The new **KLEA 5** series energy analyzers are devices designed to analyze 3-phase electrical systems. The new **KLEA 5** series, which offers 45 mm depth and vertical cable connection, is most suitable for use in narrow panels. It can also be used in remote monitoring projects thanks to the optional Ethernet (Modbus TCP) port in addition to the RS485 (Modbus RTU) interface on the devices. Thanks to their optional digital outputs, pulse outputs can be created according to the measured energy values. Digital inputs can be used as pulse counters or tariff activation. With the model-based "Gateway Feature", the data of other serial devices connected to KLEA can be transferred to the related platforms without the need for an external gateway.

- 4.2 inch LCD Screen
- IP54 protection class
- 45 mm Depth
- X/1 and X/5 Current Transformer Support
- Current connection terminals with 4mm² cross-section
- High Measurement Accuracy
- RS485 (Modbus RTU) Option
- Ethernet (Modbus TCP) Option
- 2 SPST Relay Output Options
- 2 Digital Input/Output Options
- Free user interface software



Product Name	Order No	V, C, F	P, Q, S, PF	Min / Max Data Logging	4Q. Energy Measur.	4Q Reactive Energy Monit.	THD	Individual Harmonics (up to 31st)	Demand	On Hour, Run Hour, Power Interruption Counters	Alarm Setting	LCD Screen	RO (2 pcs)	DO (2 pcs)	DI (2 pcs)	Tariff	RS485 (Modbus RTU)	Ethernet (Modbus TCP)	Gateway Feature	85-300 V DC/DC	X/1 & X/5	Panel Mount
KLEA 500R	606703	√	√	√	√	√	√	√	√	√	√	√				1	√			√	√	√
KLEA 506R	606704	√	√	√	√	√	√	√	√	√	√	√	√	√	√	3	√			√	√	√
KLEA 500RE	606707	√	√	√	√	√	√	√	√	√	√	√				1	√	√		√	√	√
KLEA 506RE	606708	√	√	√	√	√	√	√	√	√	√	√	√	√	√	3	√	√		√	√	√
KLEA 516RE	606709	√	√	√	√	√	√	√	√	√	√	√	√	√	√	3	√	√	√	√	√	√