

21.5"



Features

- 21.5" IPS LCD, 1920 x 1080, Projected capacitive touch
- IP65 front-panel protection, optional wireless solution
- Suitable for HMI / SCADA applications with iFACE Designer® Runtime
- Support Modbus RTU/TCP, OPC UA, Restful API, MQTT; Mitsubishi, Siemens, Rockwell, Omron, ...PLC drivers
- Support Charts, Alarm, Macro, Data Log, Recipe, Scheduler, Report, VNC, OpenVPN, FTP, SQL, ...software functions

I/O View



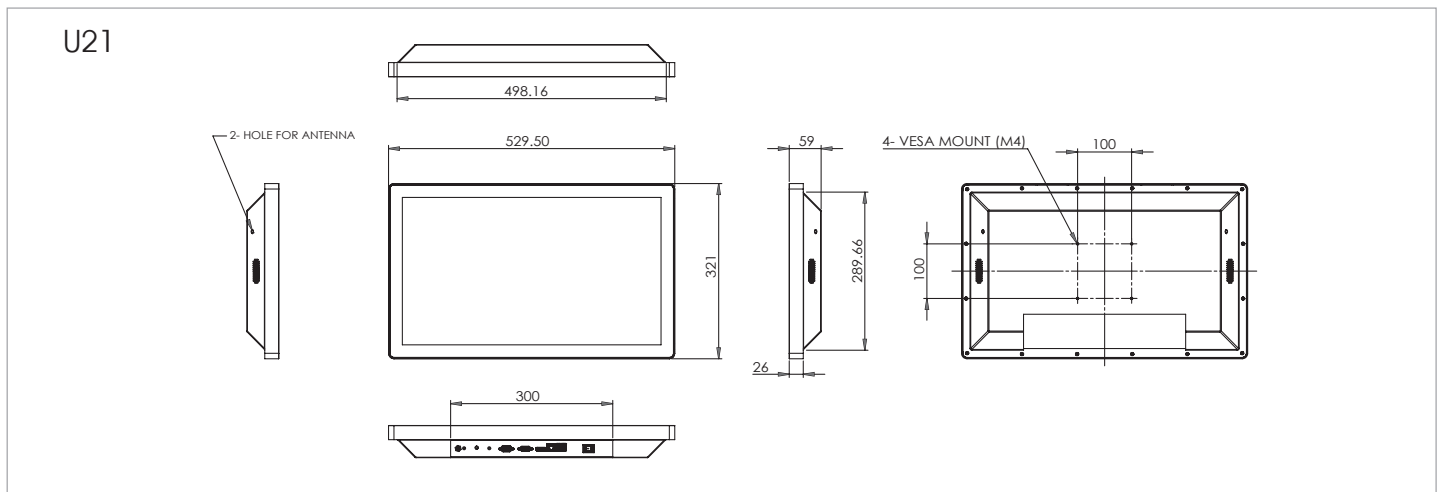
Specifications

Model No.		U21
Display & Touch Screen	Display Size	21.5"
	Max. Resolution	1920 x 1080
	Luminance (cd/m2)	250
	Contrast	1:1000
	Max. Color	16.2M
	View Angle (H/V)	178/178
	Backlight Lifetime(hrs)	30000
	Touch Type	Projected capacitive
	Touch Interface	USB
	Light Transmission (%)	89
I/O Interface	Point of touch	10
	USB 3.0	1
	USB 2.0	1
	RS-232/422/485 Selectable in BIOS	1
	RS-232	0
	LAN	1 x GbE
	Additional Graphics	1x VGA 1x DP
	Audio	1x 3.5 mm phone jack for line -out
	Digital I/O	None
	Power Connector	Power jack
Mechanical	Power Button	Rock switch
	Dimensions (mm)	529 x 321 x 59
	Net Weight (kgs)	9
System	Processor	Intel® Celeron J1900 (2.0GHz~2.4GHz, 2MB cache)
	Memory	Max. and default 4GB DDR3L
	Thermal Design	Fanless
	Membrane Control	None
	Built-in Speaker/MIC	2x 2W 4Ω Speakers
Expansion	Internal Expansion Bus	1x miniPCI-E Full sized mSATA supports 1x miniPCI-E Full sized 1x miniPCI-E Hlaf sized
	Expansion Slot	None
	Wireless	Optional

U21

Storage Space	HDD	1 x 2.5" HDD space default 64GB SSD
	Removable	None
Power	Power Input Range	12V DC
Construction	Chassis Material	AL 5052
	Color (Front/Back)	Black/Black
	IP Rating	Front Side IP65
	Mounting	VESA 100x100
Environmental	Operating Temperature	0°C~50°C
	Storage Temperature	-20°C~70°C
	Storage Humidity	10%~90% @40°C (non-condensing)
	Certification	CE/FCC class B +LVD
	Supported Software	iFace Designer® HMI Software Runtime
	Supported Operating Systems	Windows 7, Windows 10, 32/64bits, Linux Kernel 3+

Dimensions



Ordering Information

U21	21.5" Fanless Panel PC, Intel® Celeron J1900, Projected capacitive touch screen, 4GB DDR3L memory, 64G SSD, 12V DC input, with 12VDC adaptor
U21-i	21.5" Fanless Panel PC, Intel® Celeron J1900, Projected capacitive touch screen, 4GB DDR3L memory, 64G SSD, 12V DC input, with 12VDC adaptor, Ubuntu OS, iFace Designer® HMI Software Runtime License
Wi-Fi Module (Optional)	miniPCle Wi-Fi, Bluetooth 4.0 802.11 a/b/g/n with interior cable and exterior antenna