

Industrial Panel PC E12/E15/E17/E19

NOVAKON

E SERIES



Intel® Celeron® Processor J1900 Expandable Panel PC HMI / SCADA

Features

- Low power consumption
- IP65 front-panel waterproof protection
- Front-side access USB 2.0 port (E15 / E17 / E19 only)
- PCI-E (x1) and PCI expansion
- Suitable for HMI / SCADA applications with iFACE Designer® Runtime

I/O View



- Front-side access USB 2.0 port



- PCI-E (x1) and PCI expansion



E12



E15



E17/E19

Industrial Panel PC

E12/E15/E17/E19

NOVAKON

E SERIES

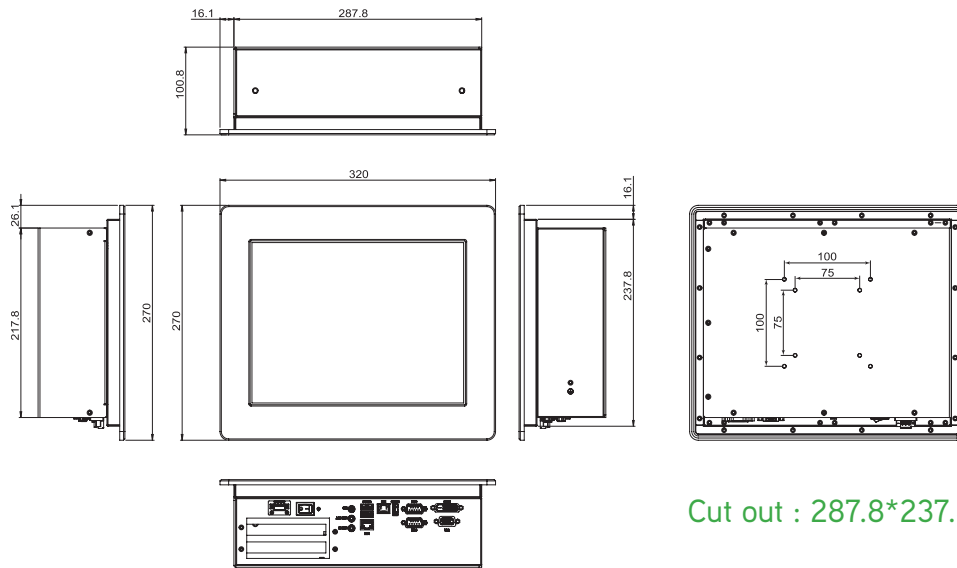
Model No.		E12	E15	E17	E19
Display & Touch Screen	Display Size	12.1" TFT-LCD	15" TFT-LCD	17" TFT-LCD	19" TFT-LCD
	Max. Resolution	1024 x 768		1280 x 1024	
	Luminance (cd/m ²)	350	420	250	350
	Contrast	800:1		1000:1	
	Max. Color	16.7M	16.2M	16.7M	
	View Angle (H°/V°)	170/170	160/160	178/170	170/160
	Backlight Lifetime(hrs)	30,000		50,000	
	Touch Type	Resistive			
	Touch Interface	USB			
	Light Transmission (%)	79		80	
Point of touch	1				
I/O Interface	USB 3.0	1			
	USB 2.0	2 at rear side	2x at rear and 1 at front side with cover		
	RS-232/422/485 Selectable in BIOS	1			
	RS-232	1			
	LAN	2x GbE			
	Additional Graphics	1x VGA and DVI-D			
	Audio	MIC in/ Line in/Line out phone jack			
	Digital I/O	None			
	Power Connector	Terminal block (Jack type as Optional)			
Power Button	Rock switch				
Mechanical	Dimensions (mm)	320 x 270 x 101	410 x 335 x 105	442 x 377 x 102.5	480 x 415 x 106.5
	Net Weight (kgs)	7.5	8.7	9.7	10.97
System	Processor	Intel® Celeron® Processor J1900 2.42GHz			
	Memory	2x DDR3L SO-DIMM, up to 8GB, default 4GB			
	Thermal Design	Fanless			
	Membrane Control	None			
	Built-in Speaker/MIC	None			
Expansion	Internal Expansion Bus	1x Mini PCI-E half size 1x Min PCI-E full/half size, mSATA supports			
	Expansion Slot	1x PCI-E (x1) and 1x PCI			
	Wireless	Optional			
Storage Space	HDD	1x 2.5" SATA HDD, default 2.5" 64G MLC SSD			
	Removable	None			
Power	Power Input Range	12V/24V DC input			
Construction	Chassis Material	SGCC			
	Color (Front/Back)	Black / Black			
	IP Rating	Front IP65/Back IP30			
	Mounting	VESA 75x75 / 100x100, panel mounting			
Environmental	Operating Temperature	0°C ~ 50°C (with SSD) 0°C ~ 40°C (with HDD)			
	Storage Temperature	-20°C~60°C			
	Storage Humidity	10%~90% (non-condensing) at 40°C			
	Certification	CE/FCC class B, LVD/ CB/CCC	CE / FCC class B and LVD		
	Software	iFace Designer® (Optional)			
	Operating Systems	Windows 7 Professional/WES 7 and 8/Windows 8.1/ Windows 10 Linux Kernel 3.X			

Industrial Panel PC E12/E15/E17/E19

NOVAKON

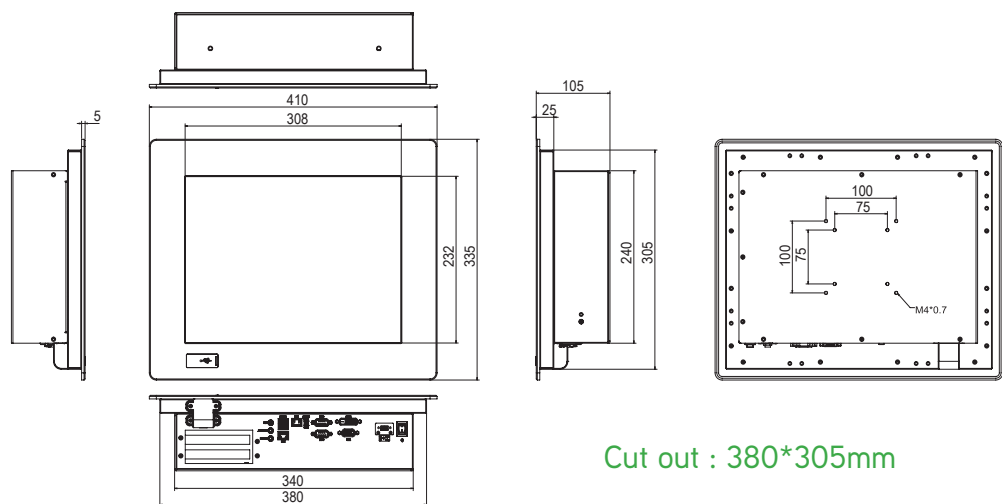
E SERIES

E12



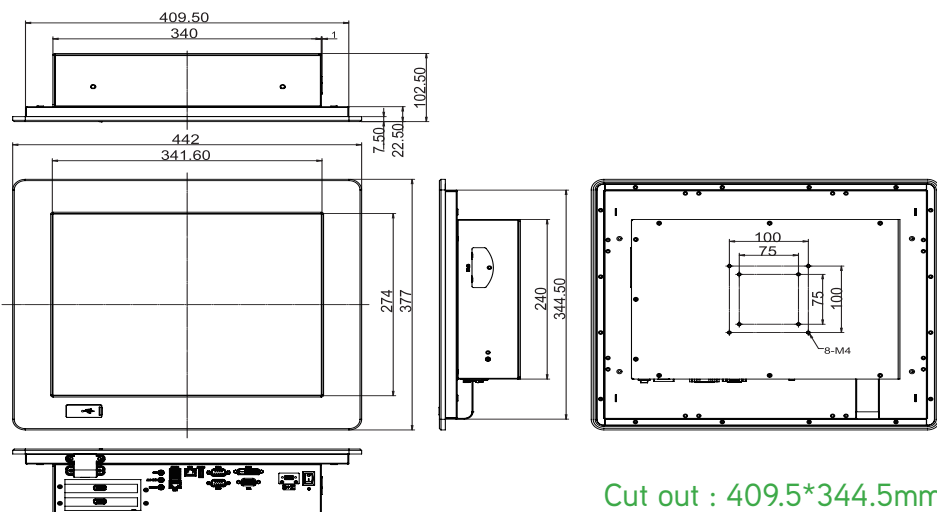
Cut out : 287.8*237.8mm

E15



Cut out : 380*305mm

E17



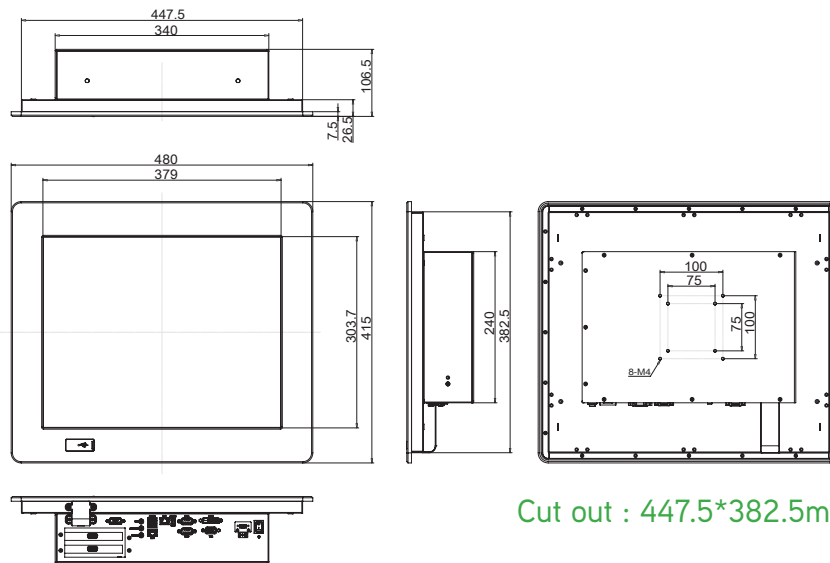
Cut out : 409.5*344.5mm

Industrial Panel PC E12/E15/E17/E19

NOVAKON

E SERIES

E19



Cut out : 447.5*382.5mm

Ordering Information

E12	12.1" (1024 x 768) Panel PC, Intel® Celeron® Processor J1900 2.42GHz, 4GB RAM, 64GB SSD, PCI-E (x1) and PCI riser card, resistive touch screen, 24V power adapter
E12-i	12.1" (1024 x 768) Panel PC, Intel® Celeron® Processor J1900 2.42GHz, 4GB RAM, 64GB SSD, PCI-E (x1) and PCI riser card, resistive touch screen, 24V power adapter, Ubuntu OS, iFace Designer® HMI Software Runtime License
E15	15" (1024 x 768) Panel PC, Intel® Celeron® Processor J1900 2.42GHz, 4GB RAM, 64GB SSD, PCI-E (x1) and PCI riser card, resistive touch screen, 24V power adapter
E15-i	15" (1024 x 768) Panel PC, Intel® Celeron® Processor J1900 2.42GHz, 4GB RAM, 64GB SSD, PCI-E (x1) and PCI riser card, resistive touch screen, 24V power adapter, Ubuntu OS, iFace Designer® HMI Software Runtime License
E17	17" (1280 x 1024) Panel PC, Intel® Celeron® Processor J1900 2.42GHz, 4GB DDR3L SO-DIMM, 64GB SSD, PCI-E (x1) and PCI riser card, resistive touch screen, 24V power adapter
E17-i	17" (1280 x 1024) Panel PC, Intel® Celeron® Processor J1900 2.42GHz, 4GB DDR3L SO-DIMM, 64GB SSD, PCI-E (x1) and PCI riser card, resistive touch screen, 24V power adapter, Ubuntu OS, iFace Designer® HMI Software Runtime License
E19	19.1" (1280 x 1024) Panel PC, Intel® Celeron® Processor J1900 2.42GHz, 4GB RAM, 64GB SSD, PCI-E (x1) and PCI riser card, resistive touch screen, 24V power adaptor
E19-i	19.1" (1280 x 1024) Panel PC, Intel® Celeron® Processor J1900 2.42GHz, 4GB RAM, 64GB SSD, PCI-E (x1) and PCI riser card, resistive touch screen, 24V power adaptor, Ubuntu OS, iFace Designer® HMI Software Runtime License
Wii-Fi Module (Optional)	miniPCIe Wi-Fi, Bluetooth 4.0 802.11 a/b/g/n w/ interior cable and exterior antenna