

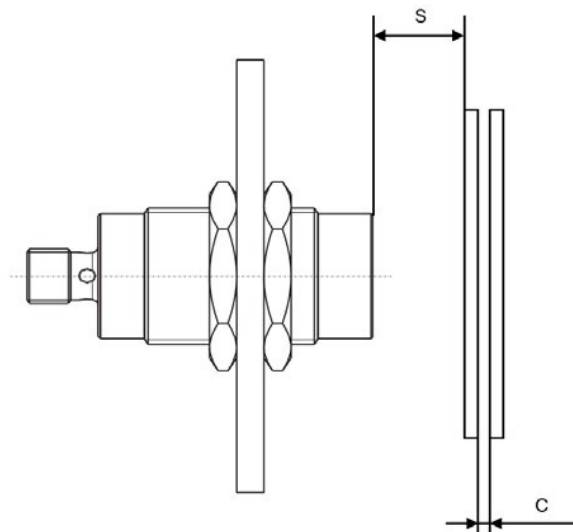
AVAILABLE CONFIGURATIONS

STEEL FE360

Sheet Thickness	Operating range (S)
0.5 mm	3 mm to 5mm
0.6 mm	3 mm to 5mm
1 mm	3 mm to 5mm
1.1 mm	3 mm to 5mm

ALUMINUM

Sheet Thickness	Operating range (S)
0.9 mm	2 mm to 6 mm
1 mm	2 mm to 6 mm
1.1 mm	2 mm to 6 mm
1.2 mm	2 mm to 6 mm



It is not necessary for the two sheets to be in contact, but response sensitivity decreases as the distance (C) between them increases.

Additional configurations for other materials, thicknesses or operating ranges need to be requested.

To achieve a reliable double sheet detection, the instructions in the PocketCodr app teach procedure must be respected. Only configurations loaded through the “teach” procedure in the PocketCodr widget are accepted by the IDSN-MxxMM-NMS-A0 Sensor.