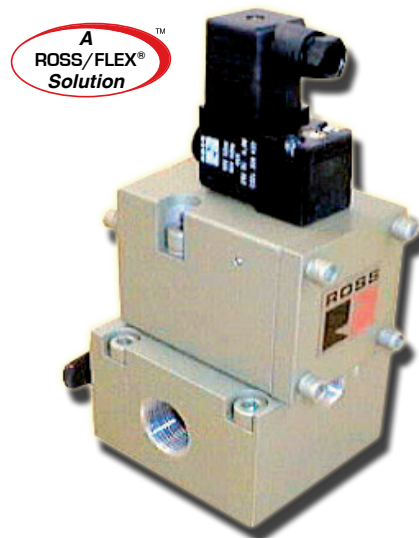


FINAL BLOW, SETTLE BLOW, FINISH COOLING, BLOW OFF

3/2 Directional Control Valve - Pressure Booster Options

- High-speed poppet construction
- Constant repeatability
- Non friction seat seals
- Non-lube
- Specialised low-wear body-coating
- Quick exhaust, pressure booster options
- Locking, non-locking manual overrides
- Special base options



STANDARD SPECIFICATIONS

Solenoids: Standard voltages 200-240 volts 50/60 Hz;
100-120 volts 50/60 Hz; 110 volts d.c. 24 volts d.c.

Power Consumption: 30 VA inrush, 16 VA holding on 50
or 60 Hz; 11 watts on d.c.

Flow Medium: Filtered air.

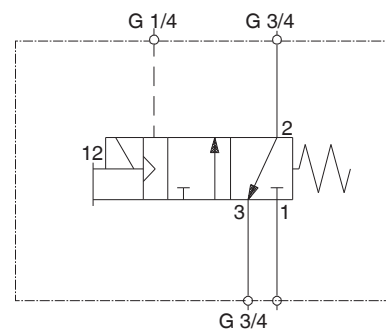
Ambient Temperature: -17° to 80° C (0° to 175° F).

Media Temperature: -17° to 150° C (0° to 300° F).

Inlet Pressure: 2 to 10 bar (30 to 150 psig).

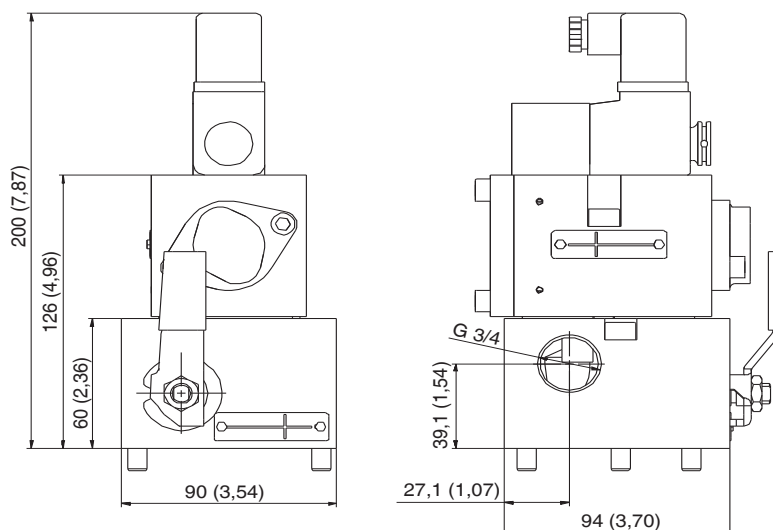
Consult ROSS for lower inlet pressure.

Model Numbers
D2173A5950 (Valve)
D749G91 (Base)



We reserve the right to introduce technical modifications.

Dimensions - mm (inches)



ROSS CONTROLS® • **ROSS EUROPA GmbH** • **ROSS UK Ltd.** • **ROSS SOUTH AMERICA Ltda**
ROSS ASIA K.K. • **ROSS ASIA K.K. CHINA LIAISON OFFICE** • **ROSS CONTROLS INDIA Pvt. Ltd.**

