

Absolute encoders – singleturn

Standard optical	Sendix F5858 / F5878 (shaft / hollow shaft)	PROFINET IO
-------------------------	--	--------------------



The Sendix F58 singleturn is a particularly high resolution optical encoder without gears and with 100 percent magnetic insensitivity. 19 bits total resolution, shaft up to 10 mm, blind hollow shaft up to 15 mm and certified PROFINET functionality. A minimum cycle time of 250 µs, the PROFIdrive application profile and a web server for FW updates are supported.



Safety-Lock™	High rotational speed	Temperature range	High protection level	High shaft load capacity	Shock / vibration resistant	Magnetic field proof	Reverse polarity protection	Optical sensor

Latest PROFINET functionality

- PROFINET IO, RT, IRT allows integration in applications with different performance requirements.
- Supports the Isochronous Mode, can thus be implemented in networks for hard real-time requirements with clock cycles up to 250 µs.
- Encoder profile V 4.2 with full support of various Profinet features.
- Ideal for highly synchronous applications, such as e. g. axis synchronization.
- Interoperability between many different control and drive manufacturers thanks to the PROFIdrive profile.

Reliable and insensitive

- Sturdy bearing construction in Safety-Lock™ Design for resistance against vibration and installation errors.
- Wide temperature range, -40 °C ... +80 °C.

Absolute encoders – singleturn

Standard optical	Sendix F5858 / F5878 (shaft / hollow shaft)	PROFINET IO
-------------------------	--	--------------------

Order code Shaft version	8.F5858 <small>Type</small>	.XXCN. <small>a b c d</small>	.C122 <small>e</small>		
---	---------------------------------------	---	----------------------------------	--	--

a Flange
 1 = clamping flange, IP65 ø 58 mm [2.28"]
 3 = clamping flange, IP67 ø 58 mm [2.28"]
 2 = synchro flange, IP65 ø 58 mm [2.28"]
 4 = synchro flange, IP67 ø 58 mm [2.28"]
 5 = square flange, IP65 □ 63.5 mm [2.5"]
 7 = square flange, IP67 □ 63.5 mm [2.5"]


b Shaft (ø x L), with flat
 1 = 6 x 10 mm [0.24 x 0.39"]
 2 = 10 x 20 mm [0.39 x 0.79"]
 3 = 1/4" x 7/8"
 4 = 3/8" x 7/8"


c Interface / Supply voltage
 C = PROFINET IO / 10 ... 30 V DC


d Type of connection
 N = 3 x axial M12 connector, 4-pin

e Fieldbus profile
 C1 = PROFINET IO

Options – Standard types (available from 1 piece)

 Surface protection salt spray tested with clamping flange IP67 and shaft ø 10 mm: 8.F5858.32CN.C122-C

 Stainless steel V2A ¹⁾
 Order expansion: 8.F5858.XXCN.C122-V2A

 Stainless steel V4A ¹⁾
 Order expansion: 8.F5858.XXCN.C122-V4A

Options – on request (for other flange/shaft combinations)

- Surface protection salt spray tested
- Stainless steel V2A
- Stainless steel V4A

Order code Hollow shaft	8.F5878 <small>Type</small>	.XXCN. <small>a b c d</small>	.C122 <small>e</small>		
--	---------------------------------------	---	----------------------------------	--	--

a Flange
 1 = with spring element long, IP65
 2 = with spring element long, IP67
 3 = with stator coupling, IP65 ø 65 mm [2.56"]
 4 = with stator coupling, IP67 ø 65 mm [2.56"]
 5 = with stator coupling, IP65 ø 63 mm [2.48"]
 6 = with stator coupling, IP67 ø 63 mm [2.48"]
 9 = with torque stop, flexible, IP65
 J = with torque stop, flexible, IP67


b Blind hollow shaft (insertion depth max. 30 mm [1.18"])
 A = ø 10 mm [0.39"]
 B = ø 12 mm [0.47"]
 C = ø 14 mm [0.55"]
 D = ø 15 mm [0.59"]
 E = ø 3/8"
 F = ø 1/2"


c Interface / Supply voltage
 C = PROFINET IO / 10 ... 30 V DC

d Type of connection
 N = 3 x axial M12 connector, 4-pin

e Fieldbus profile
 C1 = PROFINET IO

Options – Standard types (available from 1 piece)

 Stainless steel V2A ²⁾
 Order expansion: 8.F5878.2XCN.C122-V2A

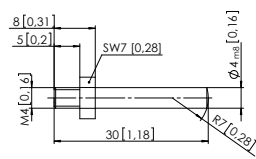
 Stainless steel V4A ²⁾
 Order expansion: 8.F5878.2XCN.C122-V4A

Options – on request (for other flange/hollow shaft combinations)

- Surface protection salt spray tested
- Stainless steel V2A
- Stainless steel V4A

1) Only in conjunction with flange **a** = 3 or 4 and shaft **b** = 1 or 2.
 2) Only in conjunction with flange **a** = 2 and hollow shaft **b** = B or D.

Absolute encoders – singleturn

Standard optical		Sendix F5858 / F5878 (shaft / hollow shaft)	PROFINET IO
Mounting accessory for shaft encoders			Order no.
Coupling	bellows coupling ø 19 mm [0.75"] for shaft 6 mm [0.24"]		8.0000.1102.0606
	bellows coupling ø 19 mm [0.75"] for shaft 10 mm [0.39"]		8.0000.1102.1010
Mounting accessory for hollow shaft encoders Dimensions in mm [inch]			Order no.
Torque pin, ø 4 mm for flange with spring element (flange type 1)	with fixing thread		8.0010.4700.0000
			
Cables and connectors			Order no.
Preassembled cables	M12 male connector with external thread, 4-pin, D coded, straight single-ended 2 m [6.56'] PUR cable	port 1 + port 2	05.00.6031.4411.002M
	M12 male connector with external thread, 4-pin, D coded, right-angle single-ended 2 m [6.56'] PUR cable	port 1 + port 2	05.00.6031.4511.002M
	M12 female connector with coupling nut, 4-pin, A coded, straight single-ended 2 m [6.56'] PUR cable	power supply	05.00.6061.6211.002M
	M12 female connector with coupling nut, 4-pin, A coded, right-angle single-ended 2 m [6.56'] PUR cable	power supply	05.00.6061.6311.002M
Connectors	M12 female connector with coupling nut, 4-pin, A coded, straight (plastic)		05.B8141-0
	M12 female connector with coupling nut, 5-pin, A coded, right-angle (plastic)		05.B-8251-0/9

Further Kübler accessories can be found at: kuebler.com/accessories

Further Kübler cables and connectors can be found at: kuebler.com/connection-technology

Absolute encoders – singleturn

Standard optical	Sendix F5858 / F5878 (shaft / hollow shaft)	PROFINET IO
-------------------------	--	--------------------

Technical data

Mechanical characteristics	
Max. speed	9000 min ⁻¹ (short-term – 10 min) 6000 min ⁻¹ (continuous)
Starting torque at 20 °C [68 °F]	< 0.01 Nm
Moment of inertia	shaft version 3.0 x 10 ⁻⁶ kgm ² hollow shaft version 6.0 x 10 ⁻⁶ kgm ²
Load capacity of shaft	radial 80 N axial 40 N
Weight	approx. 0.45 kg [15.87 oz]
Protection acc. to EN 60529	IP65, IP67
Working temperature range	-40 °C ... +80 °C [-40 °F ... +176 °F]
Material	Standard V2A V4A DIN 1.4305 DIN 1.4404 AISI 303 AISI 316L shaft/hollow shaft V2A V2A V4A flange aluminum V2A V4A housing aluminum V2A V4A
Shock resistance acc. EN 60068-2-27	2500 m/s ² , 6 ms
Vibration resistance acc. EN 60068-2-6	100 m/s ² , 55 ... 2000 Hz

Electrical characteristics	
Power supply	10 ... 30 V DC
Power consumption (no load)	max. 250 mA
Reverse polarity protection of the power supply (+V)	yes

Link 1 and 2, LED (green / yellow)		
Two colored	green	active link
	yellow	data transfer

Error LED (red) / PWR LED (green)
Functionality see manual

General information about PROFINET IO

The PROFINET encoder implements the Encoder Profile 4.2.

It permits scaling and preset values, as well as many other additional parameters to be programmed.

When switching on, all parameters are loaded from an EEPROM, where they were saved previously to protect them against power-failure, or taken over by the controller in the start-up phase.

Position, speed and many other states of the encoder can be transmitted.

Interface characteristics PROFINET IO	
Resolution	1 ... 524.288 (19 bit), scalable default: 8192 (13 bit)
Protocol	PROFINET IO
Classifications	RT Class 3 (IRT) Conformance Class C Application Class 6 Encoder Class 4 Netload Class III
Features	- I&M 0...3 - standard telegrams (81, 82, 83, 84, 86, 88) - IRT up to 250 µs - Isochronous Mode - MRP - LLDP - PDEV - SNMP - FSU

Approvals	
UL compliant in accordance with	File no. E224618
CE compliant in accordance with	EMC Directive 2014/30/EU RoHS Directive 2011/65/EU
UKCA compliant in accordance with	EMC Regulations S.I. 2016/1091 RoHS Regulations S.I. 2012/3032

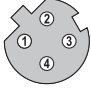

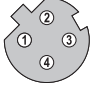
PROFINET IO

- Implementation of the whole encoder profile according to Encoder Profile Version 4.2.
- The product has been developed with regard to the Enhanced Motion Control requirements and complies with Conformance Class C - Encoder Class 4.
- Identification & maintenance functionality version 1.16 is implemented. IM-Block 0 is supported.
- The Media Redundancy Protocol (MRP) is implemented in addition.
- ProfiDrive meets the requirements of Application Class 6 and includes the Fault Buffer and Position Feedback Interface functionalities.
- Isochronous Real Time (IRT) with a max. jitter of max. ± 1 µs.
- Neighborhood detection is possible via LLDP.
- Shared Devices allows several PLC's to access to the encoder.
- Fast Startup ensures an up to 3x faster availability after a plant start-up.

Absolute encoders – singleturn

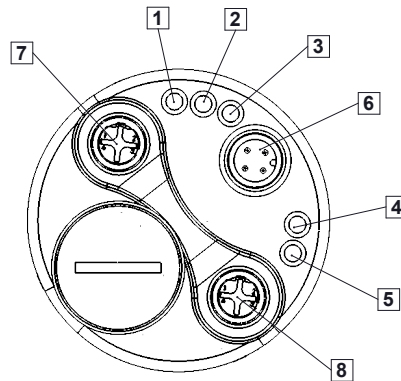
Standard optical	Sendix F5858 / F5878 (shaft / hollow shaft)	PROFINET IO
-------------------------	--	--------------------

Terminal assignment bus

Interface	Type of connection	Function	M12 connector, 4-pin					
			Signal:	Transmit data+	Receive data+	Transmit data -	Receive data -	
C	N (3 x M12 connector)	Bus Port 1	Signal:	Transmit data+	Receive data+	Transmit data -	Receive data -	 D coded
			Abbreviation:	TxD+	RxD+	TxD-	RxD-	
			Pin:	1	2	3	4	
		Power supply	Signal:	Voltage +	–	Voltage –	–	 D coded
			Abbreviation:	+ V	–	0 V	–	
			Pin:	1	2	3	4	
		Bus Port 2	Signal:	Transmit data+	Receive data+	Transmit data -	Receive data -	 D coded
			Abbreviation:	TxD+	RxD+	TxD-	RxD-	
			Pin:	1	2	3	4	

Rear side connections and display elements

- 1 LED: Link 2
- 2 LED: Bus error
- 3 LED: Collecting error
- 4 LED: ENC
- 5 LED: Link 1
- 6 Power
- 7 Link 2
- 8 Link 1



Absolute encoders – singleturn

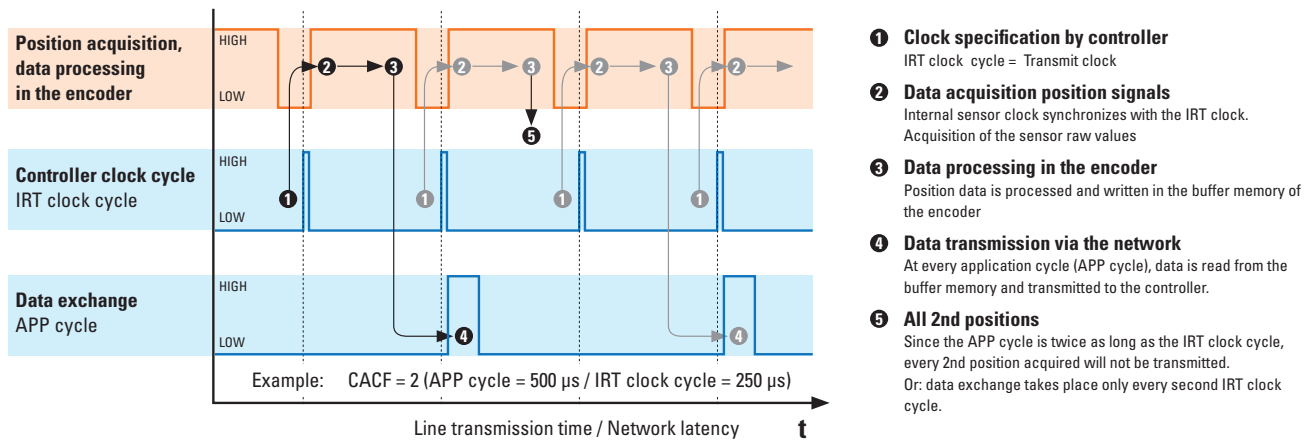
Standard optical	Sendix F5858 / F5878 (shaft / hollow shaft)	PROFINET IO
-------------------------	--	--------------------

Technology in detail

Clock synchronicity – Isochronous Real Time (IRT) in position sensor technology

In general, for time-critical applications, focus is set on very short sensor cycle times. However, in order to achieve high control performance, simply accelerating data acquisition and processing by shortest cycle times is not sufficient. All sensors and actuators are to operate according to the same clock.

This is achieved thanks to a clock used for the whole network, defined by the controller. This transmit clock cycle (IRT clock) is however not necessarily the clock cycle used for process data exchange. Another cycle (application cycle) is used for this purpose, which can also be defined by the customer controller. The illustration below represents the connection between the different clock cycles.



When receiving the IRT clock signal, the sensor starts reading its current measured point. This raw value is processed internally (e.g. scaling, speed calculation, etc.) and stored in a buffer memory.

The buffer memory is read at every application cycle. If it contains a value, this value is transmitted to the controller via the network.

If the application cycle is a multiple of the IRT clock cycle, it may happen that the buffered process data is not sent directly, but is overwritten, because, even though this data is acquired with every IRT clock cycle, it is sent only with every application cycle.

The ratio between application cycle and IRT clock cycle represents the CACF (Controller Application Cycle Factor).

In this example, the CACF = 2. This indicates that only every 2nd acquired position will be transmitted to the controller.

The described methodology guarantees a determinism: since the controller defines a clock cycle for the whole network, this allows ensuring that all measured values transmitted by the sensors to the controller are never older than the selected IRT cycle! Therefore, all downstream actuators can always be regulated on the basis of the latest available measured values.

Absolute encoders – singleturn

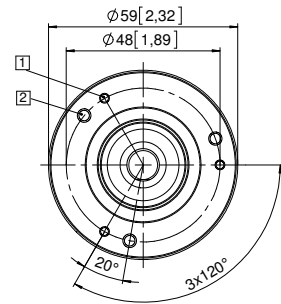
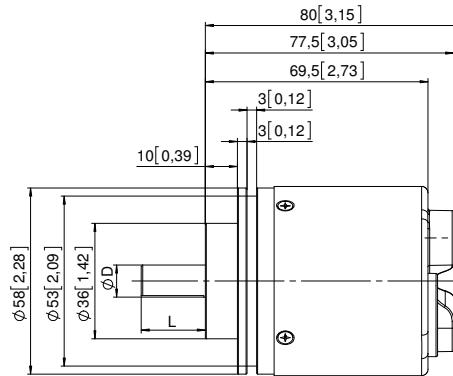
Standard optical	Sendix F5858 / F5878 (shaft / hollow shaft)	PROFINET IO
-------------------------	--	--------------------

Dimensions shaft version

Dimensions in mm [inch]

Clamping flange, \varnothing 58 [2.28] Flange type 1 + 3

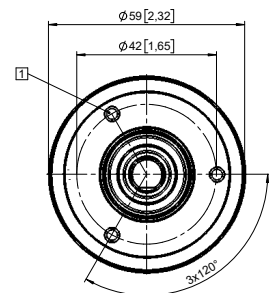
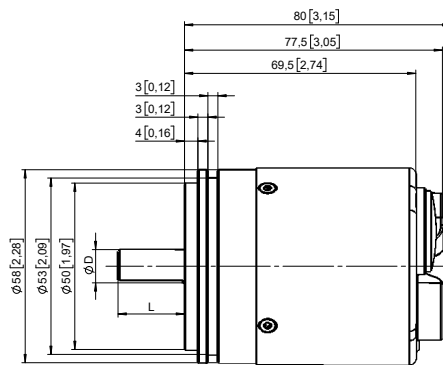
- 1 3 x M3, 6 [0.24] deep
- 2 3 x M4, 8 [0.31] deep



D	Fit	L
6 [0.24]	h7	10 [0.39]
10 [0.39]	f7	20 [0.79]
1/4"	h7	7/8"
3/8"	h7	7/8"

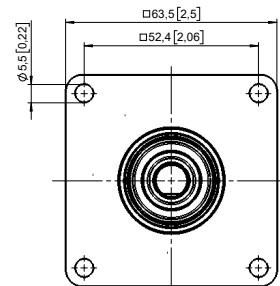
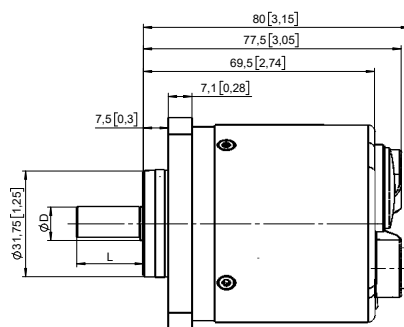
Synchro flange, \varnothing 58 [2.28] Flange type 2 + 4

- 1 3 x M3, 6 [0.24] deep



D	Fit	L
6 [0.24]	h7	10 [0.39]
10 [0.39]	f7	20 [0.79]
1/4"	h7	7/8"
3/8"	h7	7/8"

Square flange, \square 63.5 [2.5] Flange type 5 + 7



D	Fit	L
6 [0.24]	h7	10 [0.39]
10 [0.39]	f7	20 [0.79]
1/4"	h7	7/8"
3/8"	h7	7/8"

Absolute encoders – singleturn

Standard optical

Sendix F5858 / F5878 (shaft / hollow shaft)

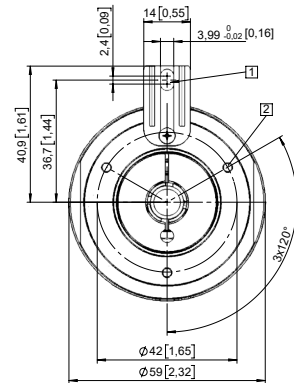
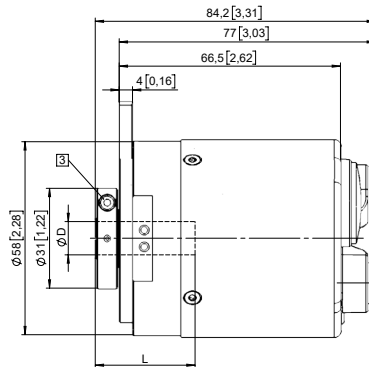
PROFINET IO

Dimensions hollow shaft version

Dimensions in mm [inch]

Flange with spring element, long Flange type 1 + 2

- 1 Slot spring element, recommendation: torque pin DIN 7, \varnothing 4 [0.16]
- 2 3 x M3, 5.5 [0.22] deep
- 3 Recommended torque for the clamping ring 0.6 Nm

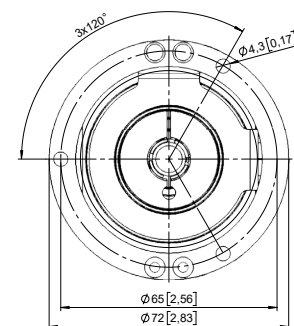
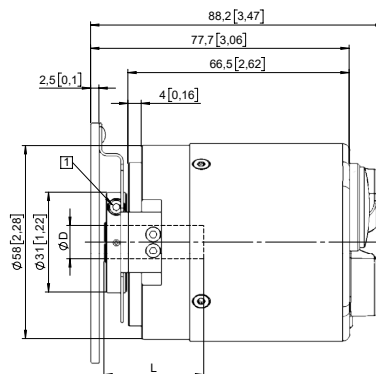


D	Fit	L
10 [0.39]	H7	30 [1.18]
12 [0.47]	H7	30 [1.18]
14 [0.55]	H7	30 [1.18]
15 [0.59]	H7	30 [1.18]
3/8"	H7	30 [1.18]
1/2"	H7	30 [1.18]

L = insertion depth max. blind hollow shaft

Flange with stator coupling, \varnothing 65 [2.56] Flange type 3 + 4

- 1 Recommended torque for the clamping ring 0.6 Nm

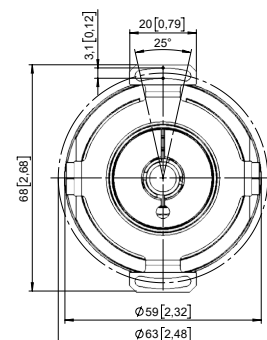
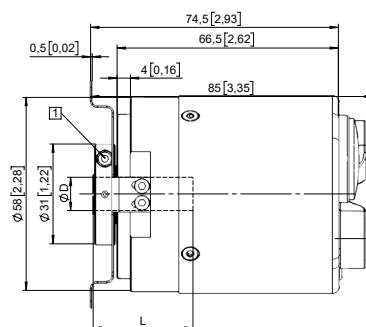


D	Fit	L
10 [0.39]	H7	30 [1.18]
12 [0.47]	H7	30 [1.18]
14 [0.55]	H7	30 [1.18]
15 [0.59]	H7	30 [1.18]
3/8"	H7	30 [1.18]
1/2"	H7	30 [1.18]

L = insertion depth max. blind hollow shaft

Flange with stator coupling, \varnothing 63 [2.48] Flange type 5 + 6

- 1 Recommended torque for the clamping ring 0.6 Nm



D	Fit	L
10 [0.39]	H7	30 [1.18]
12 [0.47]	H7	30 [1.18]
14 [0.55]	H7	30 [1.18]
15 [0.59]	H7	30 [1.18]
3/8"	H7	30 [1.18]
1/2"	H7	30 [1.18]

L = insertion depth max. blind hollow shaft

Absolute encoders – singleturn

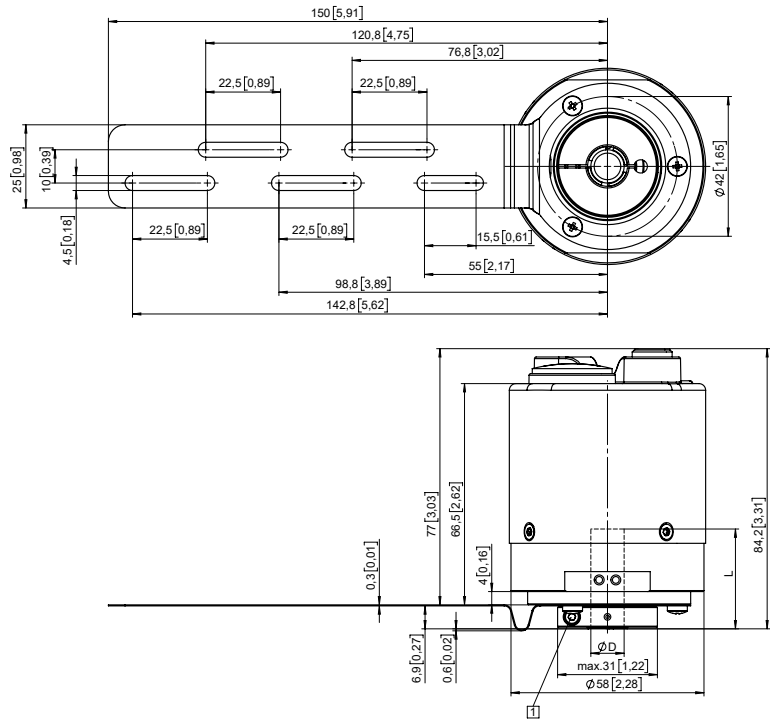
Standard optical	Sendix F5858 / F5878 (shaft / hollow shaft)	PROFINET IO
-------------------------	--	--------------------

Dimensions hollow shaft version

Dimensions in mm [inch]

Flange with torque stop, flexible Flange type 9 + J

- 1 Recommended torque for the clamping ring 0.6 Nm



D	Fit	L
10 [0.39]	H7	30 [1.18]
12 [0.47]	H7	30 [1.18]
14 [0.55]	H7	30 [1.18]
15 [0.59]	H7	30 [1.18]
3/8"	H7	30 [1.18]
1/2"	H7	30 [1.18]

L = insertion depth max. blind hollow shaft