


RPS-C-538SR95M-174757 (Order no. 174757)

Rope pull switches with guard locking for emergency stop devices

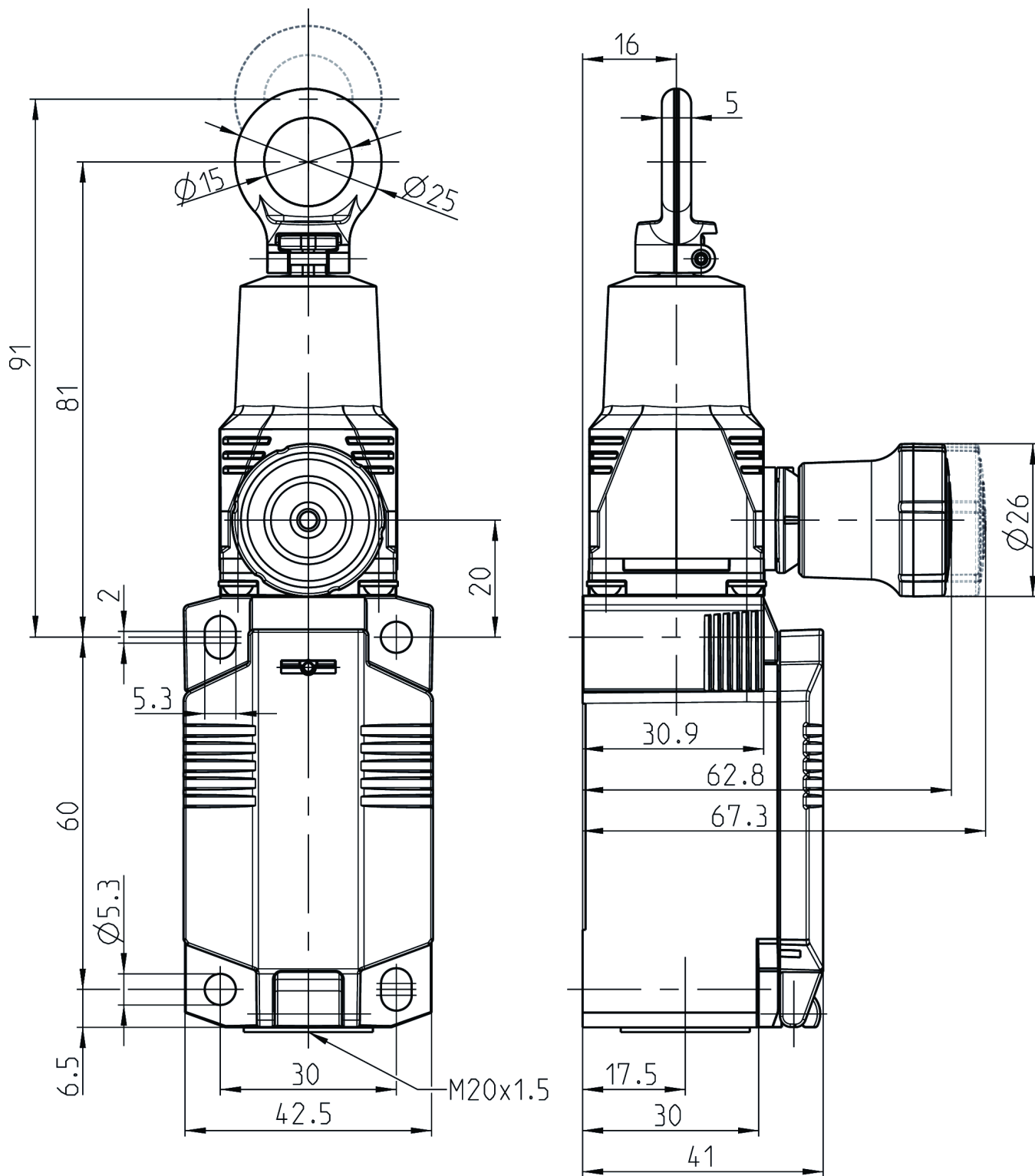
- ▶ Plastic housing
- ▶ Emergency stop device with detent mechanism as per EN ISO 13850 and EN 60947-5-5
- ▶ Rope clamp for pull wire
- ▶ Cable entry M20 x 1.5
- ▶ Switching elements with 2 switching contacts



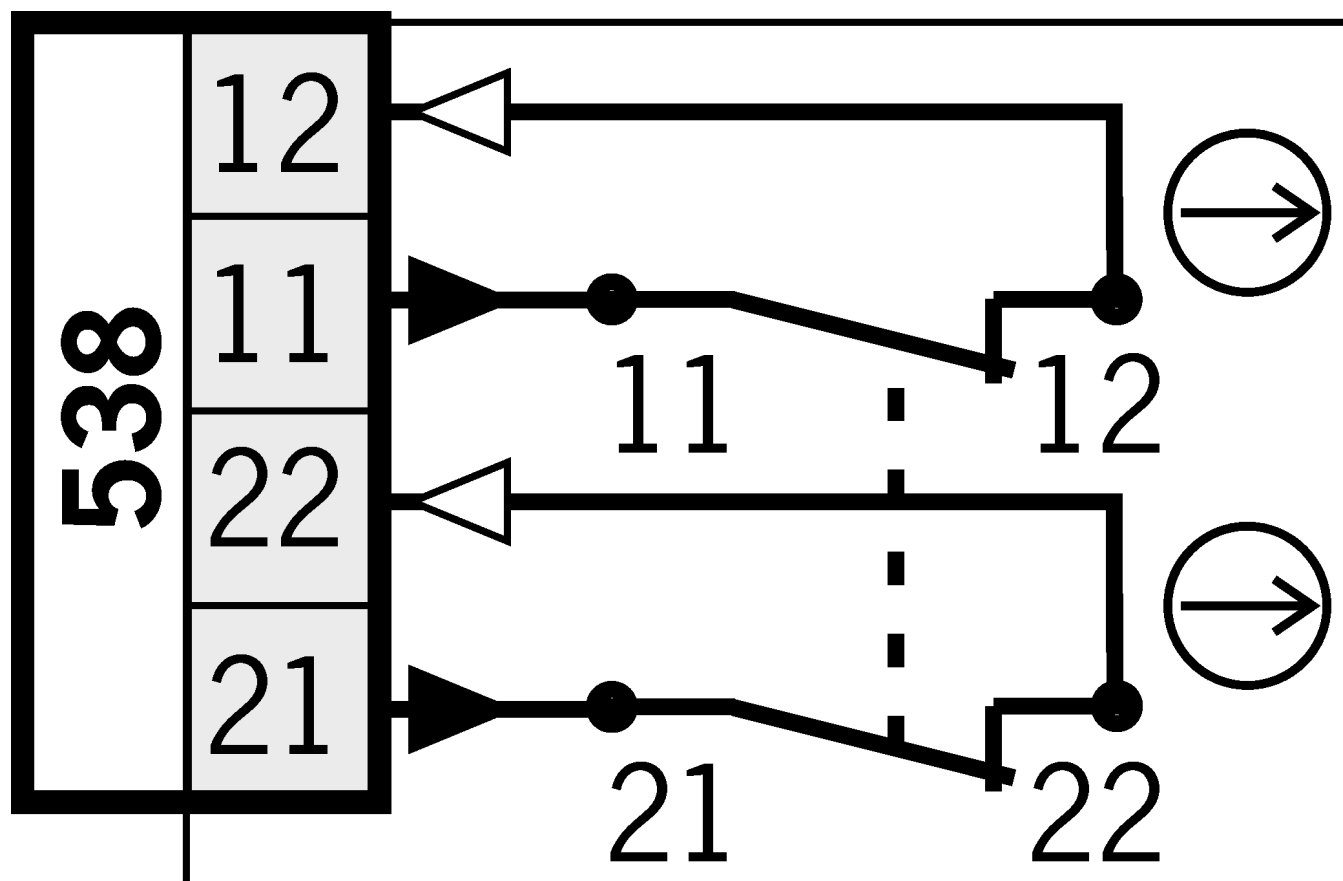
Switching element

538H Slow-action switching contact 2 NC 

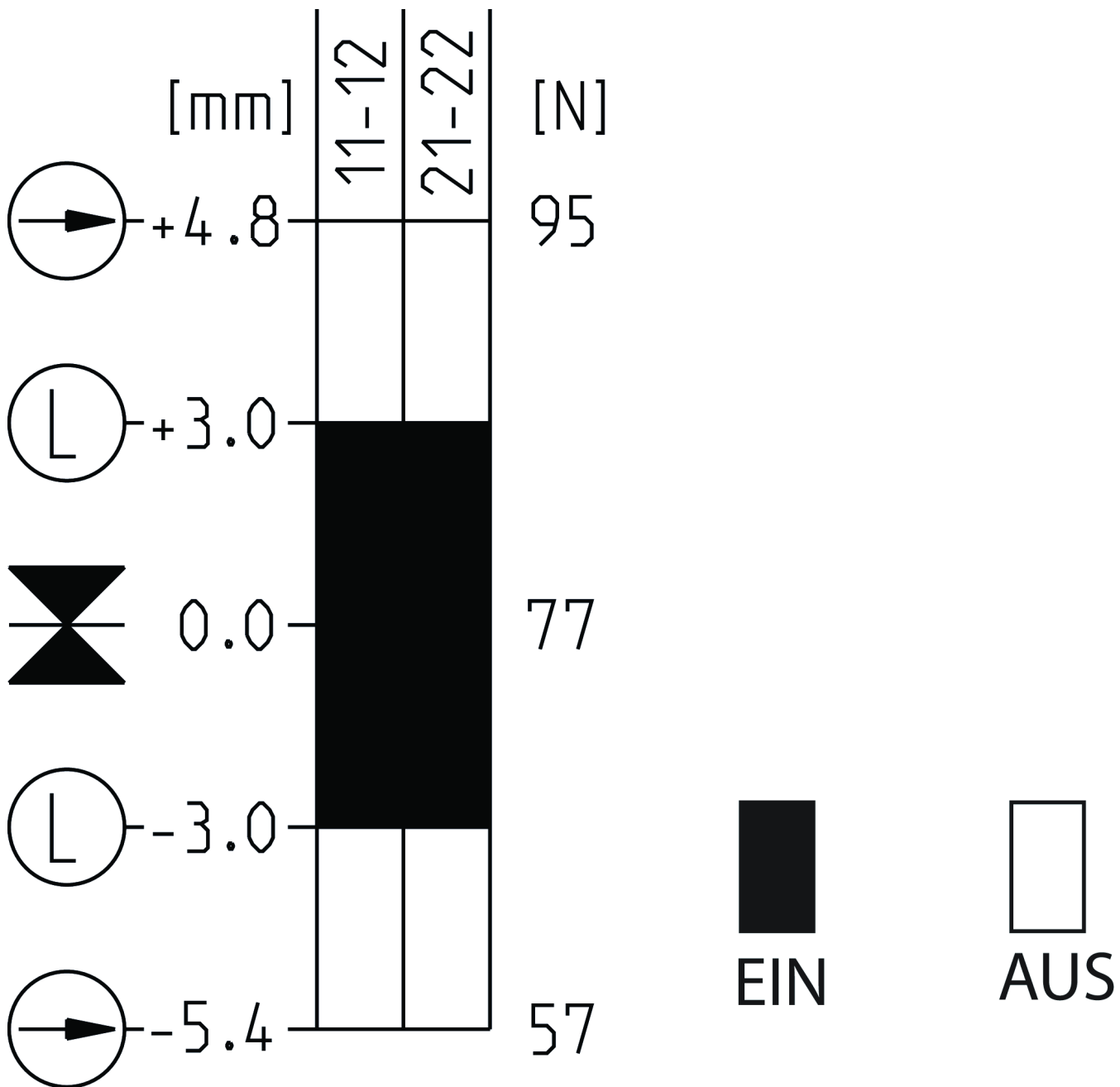
Dimensional drawings



Connection examples



Shift travel diagrams



*Tolerance: Operating point ± 0.5 mm, actuating force ± 15 %

Technical data

Approvals



Electrical connection values

Connection cross section	0.34 ... 1.5 mm ²
rated conditional short-circuit current	400 A
Rated insulation voltage U _i	400 V
Rated impulse voltage U _{imp}	4 kV
Utilization category	
	AC-15 240V 3 A
	DC-13 24V 1.5 A
Short circuit protection according to IEC 60269-1	4 A gG
Safety class	II
thermal rated current I _{th}	5 A
Degree of contamination (external, according to EN 60947-1)	3

Mechanical values and environment

Connection type	
	1 x M20 x 1.5
Number of positively driven contacts	2
Actuating force	95 N
Installation orientation	any
Storage temperature	-40 ... 80 °C
Mechanical life	0.1 x 10 ⁶
Degree of protection	IP66/IP67
Rope diameter	2 ... 5 mm
Ambient temperature	-30 ... 75 °C

Material

Housing/ coverlid Reinforced thermoplastic

Contact material Silver

Emergency stop Reinforced thermoplastic

Characteristic values according to EN ISO 13849-1 and EN IEC 62061

	B10 _D	Mission time
Emergency stop	0.2x10 ⁶	20 y

Downloads

All documentation for this material can be found on our website:

<https://www.euchner.de/en-us/a/174757/?#downloads-tab>

Ordering data

Ordernumber	174757
Item designation	RPS-C-538SR95M-174757
Gross weight	0,kg
Customs tariff number	85365019000
ECLASS	27-37-12-01 Emergency stop pull cord switch

Accessories

Connection material

Cable glands M20x1.5, cable Ø 6–12 mm



086233
EKPM20/06 086233

Cable glands M20x1.5, cable Ø 6.5–9.5 mm



077683
EKVM20/06

Cable glands M20x1.5, cable Ø 9–13 mm



077684
EKVM20/09

Mounting accessories

Eyebolt for rope pull switches



092495
RPS-O-8-50/V5

▶ Eyebolt with thread M8

Pulley set RPS-P/V1 for rope pull switches



096251
RPS-P-7-70

▶ Rope pulley block Ø 14 mm

Pulley set RPS-PS/V5 for rope pull switches



092501
RPS-PS/V5

▶ Pulley set consisting of rope pulley block and pulley support

Quick release head (Quick Fix)



174877
RPS-CMP-40-174877

▶ for RPS with towing eye

Rope set for rope pull switches



092496
RPS-RS/V5

▶ Rope set consisting of thimble and rope clamp

Tensioner spring for rope pull switches



092136
RPS-W-100/175

▶ Tensioner spring for tensile force 110 N / 175 N

Tensioning rope for rope pull switches



092813
RPS-I-3-4/50M

▶ Tensioning rope with 50m length



092814
RPS-I-3-4/100M

▶ Tensioning rope with 100m length

Turnbuckle for rope pull switches



092498
RPS-B-6-60/V5

▶ Turnbuckle M6 x 60



092500
RPS-B-6-110

▶ Turnbuckle M6 x 100