

## MSM-1-R-CKS2-FLX-W0Q0FS-P8-174324 (Order no. 174324)

### Submodule MSM-1-R... (CKS2 key adapter, 1 key-operated rotary switch, form V)

- ▶ Function expansion for modules MGB2 and MCM
- ▶ Connection type: R
- ▶ CKS2 Schlüsselaufnahme mit integrierter Auswerteelektronik
- ▶ 1 key-operated rotary switch 1 x 90°, form V
- ▶ Freely controllable LEDs (red, green, yellow)
- ▶ Zusätzliche RGB-LED für einfache Diagnose
- ▶ Aussparung für Einlegeschild
- ▶ Inkl. Einlegeschilder-Set bunt
- ▶ incl. 2 keys (OM.R-165433)



### Category according to EN 13849-1

Das CKS2-System ist geeignet für die Integration in Anlagen mit höchsten Sicherheitsanforderungen wie der Kategorie 4 / PL e nach EN ISO 13849-1.

### CKS2-key-evaluation

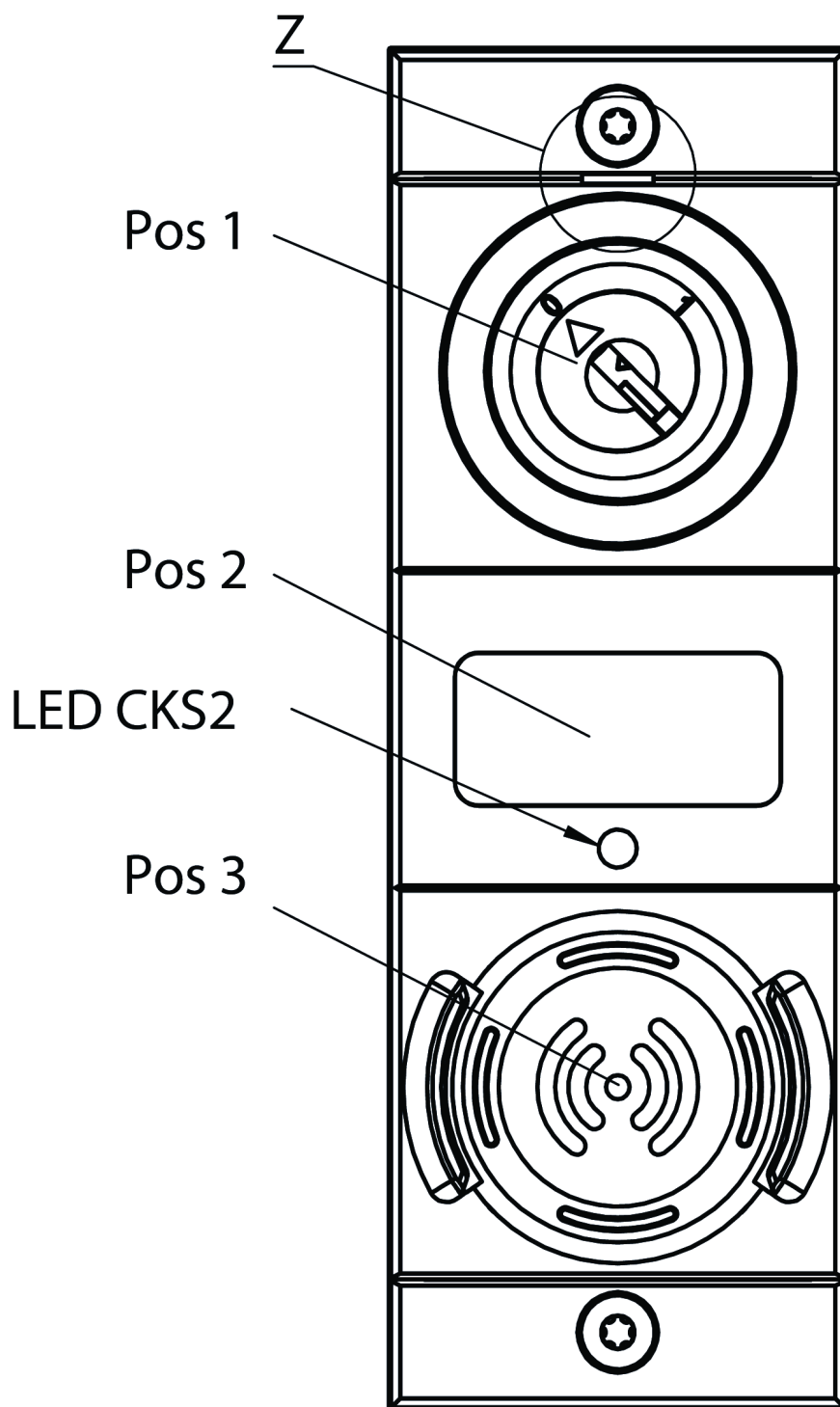
EUCHNER products with FlexFunction require a teach-in operation during setup to configure the device. The device's function depends on the taught-in key type.

**Important:** CKS2 keys must be ordered separately!

## Dimensional drawings



Z 2:1



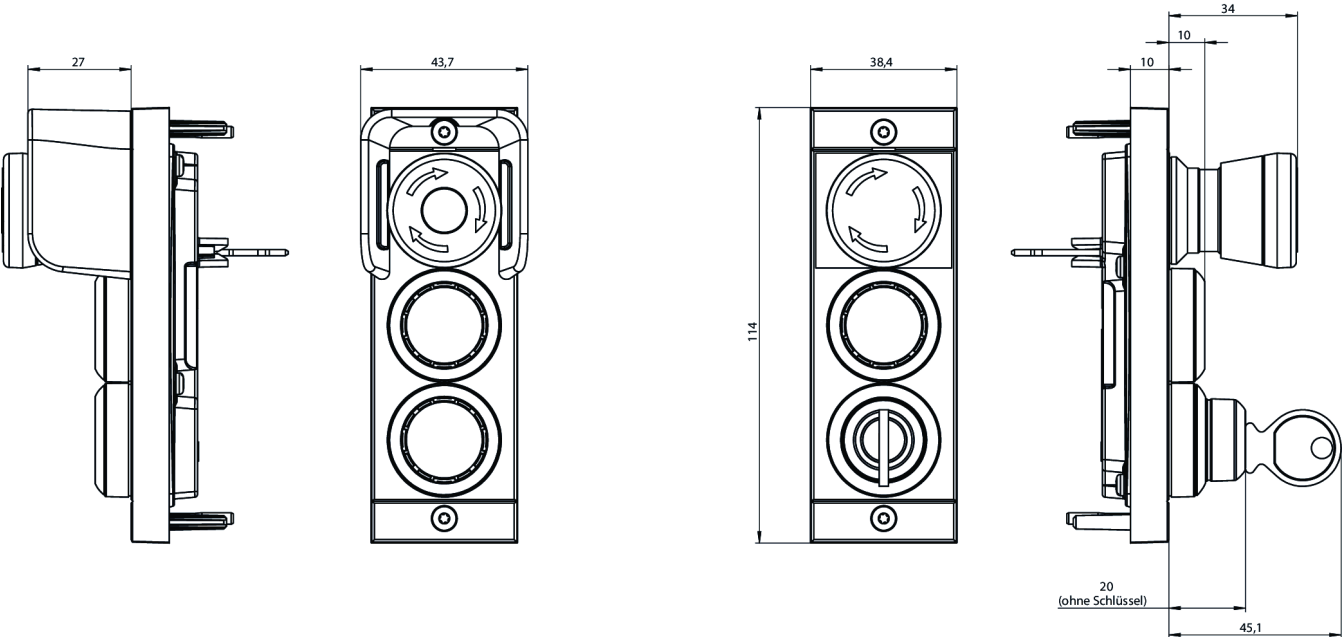
Pos 1 Key-operated rotary switch 1 x 90°, form V

Pos 2 Position for slide-in label

Pos 3 CKS2 key system

Z marks orientation of item 1

**Dimensional drawings**




## Technical data

### Approvals



### Operating and display elements

Item	Color	Extras	Switching element	Note slide-in label	Slide-in label	Version	Number	Designation1	LED
1		OM.R	2NO			Key-operated rotary switch (test pulse monitored)			
2		12.5x27  mm				Position for slide-in label			
3						CKS2 key system			

### Electrical connection values

Current consumption max. 50 mA

#### Controls and indicators

Breaking capacity max. 0.25 W

Switching voltage 24 V

Switching current 5 ... 10 mA

LED power supply 24 V DC

### Mechanical values and environment

Installation orientation any

Shock and vibration resistance Acc. to EN IEC 60947-5-3

Degree of protection IP65 (IP20)  
(in the installed state)

Ambient temperature

at  $U_B = 24 \text{ V DC}$  -25 ... +55 °C

Material Fiber glass reinforced plastic

## Characteristic values according to EN ISO 13849-1 and EN IEC 62061

	PL	Maximum SIL	PFH <sub>D</sub>	Category	Mission time
Safe key detection	PL e	3	$3.37 \times 10^{-9}$	4	20 y

	B10 <sub>D</sub>	Mission time
Safe key-operated rotary switch	$0.06 \times 10^6$	20 y

## Miscellaneous

Submodulbreite 1

Slide-in label

### Number Labeling Note

1 without marking

Software ID (SW ID) 9000063

## Downloads

All documentation for this material can be found on our website:

<https://www.euchner.de/en-us/a/174324/?#downloads-tab>

## Ordering data

Ordernumber	174324
Item designation	MSM-1-R-CKS2-FLX-W0Q0FS-P8-174324
Gross weight	0,15kg
Customs tariff number	85389099990
ECLASS	27-24-26-05 Field bus, decentralized peripheral – function-/technology module

## Accessories

### Actuator

#### Key A-FLX-K-0A FlexFunction, 1 key per packaging unit



**168921**  
A-FLX-K-0A-RD-168921

- ▶ Transponder coding
- ▶ Hohe Codierungsstufe entsprechend EN 14119
- ▶ Key type 0A: 1 key per packaging unit
- ▶ Key color red



**171455**  
A-FLX-K-0A-BK-171455

- ▶ Transponder coding
- ▶ Hohe Codierungsstufe entsprechend EN 14119
- ▶ Key type 0A: 1 key per packaging unit
- ▶ Key color black



**171456**  
A-FLX-K-0A-BU-171456

- ▶ Transponder coding
- ▶ Hohe Codierungsstufe entsprechend EN 14119
- ▶ Key type 0A: 1 key per packaging unit
- ▶ Key color blue



**171458**  
A-FLX-K-0A-YE-171458

- ▶ Transponder coding
- ▶ Hohe Codierungsstufe entsprechend EN 14119
- ▶ Key type 0A: 1 key per packaging unit
- ▶ Key color yellow

#### Key A-FLX-K-0B FlexFunction, 10 keys per packaging unit



**173405**  
A-FLX-K-0B-RD-V10-173405

- ▶ Transponder coding
- ▶ Hohe Codierungsstufe entsprechend EN 14119
- ▶ Key type 0B: 10 identically coded keys per packaging unit
- ▶ Key color red

#### Key A-FLX-K-0B FlexFunction, 2 keys per packaging unit



**168962**  
A-FLX-K-0B-RD-V02-168962

- ▶ Transponder coding
- ▶ Hohe Codierungsstufe entsprechend EN 14119
- ▶ Key type 0B: 2 identically coded keys per packaging unit
- ▶ Key color red

#### Key A-FLX-K-0B FlexFunction, 3 keys per packaging unit



**168963**  
A-FLX-K-0B-RD-V03-168963

- ▶ Transponder coding
- ▶ Hohe Codierungsstufe entsprechend EN 14119
- ▶ Key type 0B: 3 identically coded keys per packaging unit
- ▶ Key color red

## Key A-FLX-K-0B FlexFunction, customer-specific packaging unit



**173902**

A-FLX-K-0B-173902

- ▶ Transponder coding
- ▶ Hohe Codierungsstufe entsprechend EN 14119
- ▶ Key type 0B: identically coded keys per packaging unit
- ▶ Number of keys per packaging unit can be chosen as required
- ▶ Key colors red, black, blue, yellow can be chosen as required

## Miscellaneous

### Adhesive labels

**114529**

MGB-A-PLATESET-NN01-114529

- ▶ Adhesive labels suitable for MGB evaluation modules, bus modules and control modules
- ▶ silver, blank
- ▶ Packaging unit = 10 pcs.

## Spare parts

### Replacement key for key-operated rotary switch



**165433**

MP-B-K-RK-00-00-165433

- ▶ 2 x replacement keys for key-operated rotary switch