

MSM-1-R-CKS2-FLX-R1Q0FS-N3-172950 (Order no. 172950)

Submodul MSM-1-R... (CKS2 Schlüsselaufnahme, Quittiertaster)

- ▶ Function expansion for modules MGB2 and MCM
- ▶ Connection type: R
- ▶ CKS2 Schlüsselaufnahme mit integrierter Auswerteelektronik
- ▶ 1 acknowledgment button
- ▶ Freely controllable LEDs (red, green, yellow)
- ▶ Zusätzliche RGB-LED für einfache Diagnose
- ▶ Aussparung für Einlegeschild
- ▶ Inkl. Einlegeschilder-Set bunt



Category according to EN 13849-1

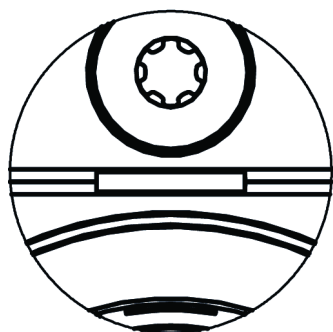
Das CKS2-System ist geeignet für die Integration in Anlagen mit höchsten Sicherheitsanforderungen wie der Kategorie 4 / PL e nach EN ISO 13849-1.

Key evaluation

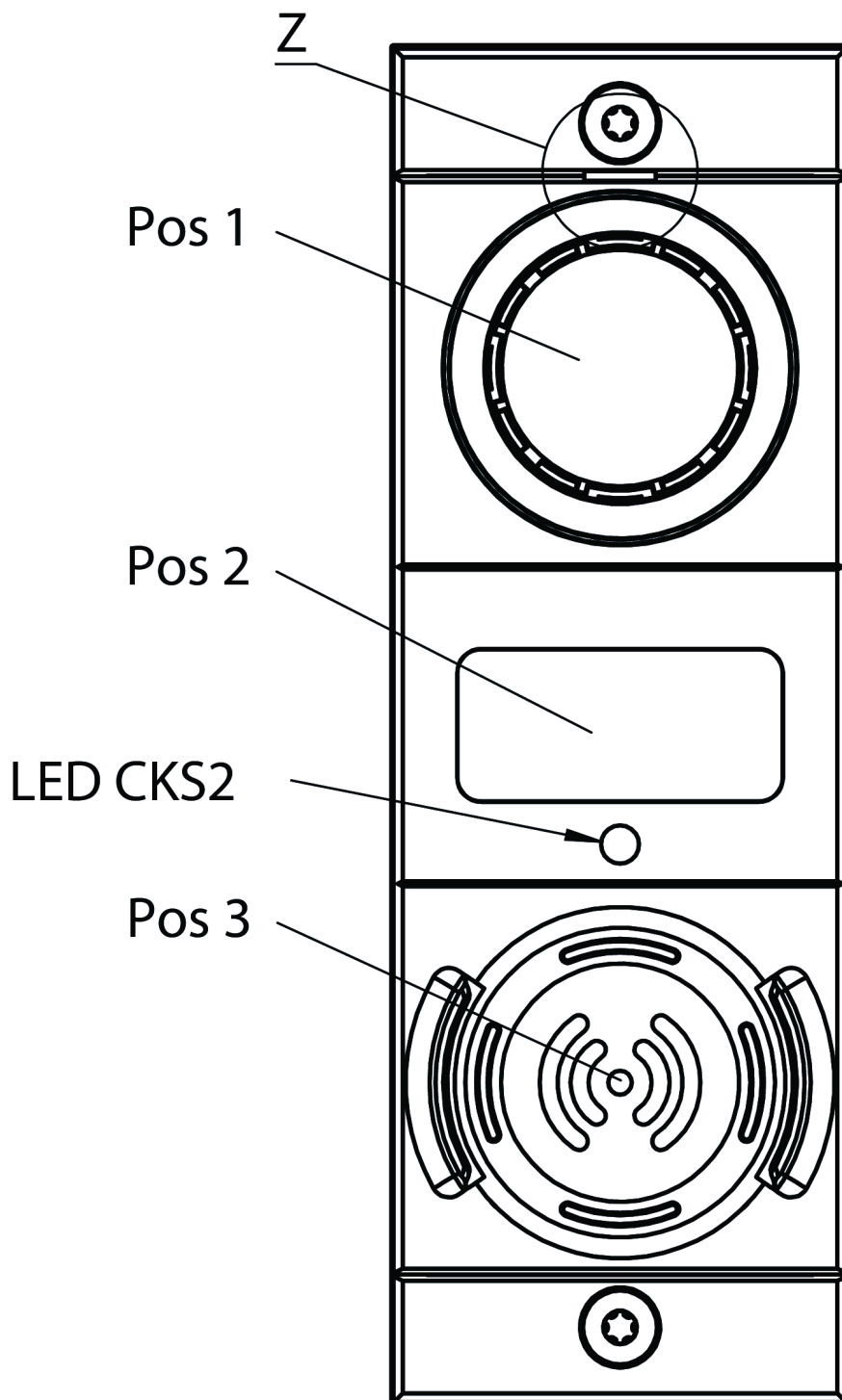
EUCHNER products with FlexFunction require a teach-in operation during setup to configure the device. The device's function depends on the taught-in key type.

Important: Keys must be ordered separately!

Dimensional drawings

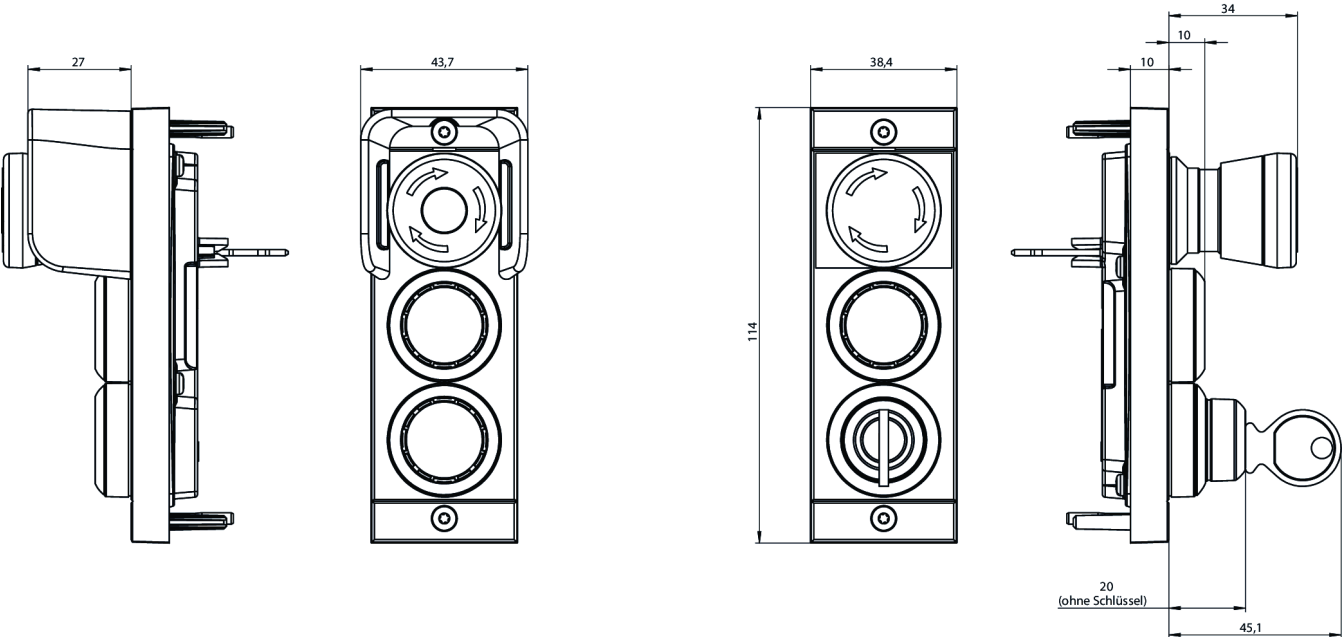


Z 2:1



- Pos 1 Acknowledgment button
- Pos 2 Position for slide-in label
- Pos 3 CKS2 key system
- Z marks orientation of item 1

Dimensional drawings



Technical data

Approvals



Operating and display elements

Item	Color	Extras	Switching element	Note slide-in label	Version	Slide-in label	Number	Designation1	LED
1			2NO		Acknowledgment button				
2		12.5x27 \diamond mm			Position for slide-in label				
3					CKS2 key system				

Electrical connection values

Current consumption max. 50 mA

Controls and indicators

Breaking capacity max. 0.25 W

Switching voltage 24 V

Switching current 5 ... 10 mA

LED power supply 24 V DC

Mechanical values and environment

Installation orientation any

Shock and vibration resistance Acc. to EN IEC 60947-5-3

Degree of protection IP65 (IP20)
(in the installed state)

Ambient temperature

at $U_B = 24 \text{ V DC}$ -25 ... +55 °C

Material Fiber glass reinforced plastic

Characteristic values according to EN ISO 13849-1 and EN IEC 62061

	PL	Maximum SIL	PFH _D	Category	Mission time
--	----	-------------	------------------	----------	--------------

Safe key detection	PL e	3	3.37×10^{-9}	4	20 y
--------------------	------	---	-----------------------	---	------

	B10 _D	Mission time
Acknowledgment button	2.6×10^6	20 y

Miscellaneous

Submodulbreite	1
----------------	---

Slide-in label

Number Labeling Note

1 without marking

Software ID (SW ID)	9000058
---------------------	---------

Downloads

All documentation for this material can be found on our website:

<https://www.euchner.de/en-us/a/172950/?#downloads-tab>

Ordering data

Ordernumber	172950
Item designation	MSM-1-R-CKS2-FLX-R1Q0FS-N3-172950
Gross weight	0,105kg
Customs tariff number	85371098
ECLASS	27-24-26-05 Field bus, decentralized peripheral – function-/technology module

Accessories

Actuator

Key A-FLX-K-0A FlexFunction, 1 key per packaging unit



168921
A-FLX-K-0A-RD-168921

- ▶ Transponder coding
- ▶ Hohe Codierungsstufe entsprechend EN 14119
- ▶ Key type 0A: 1 key per packaging unit
- ▶ Key color red



171455
A-FLX-K-0A-BK-171455

- ▶ Transponder coding
- ▶ Hohe Codierungsstufe entsprechend EN 14119
- ▶ Key type 0A: 1 key per packaging unit
- ▶ Key color black



171456
A-FLX-K-0A-BU-171456

- ▶ Transponder coding
- ▶ Hohe Codierungsstufe entsprechend EN 14119
- ▶ Key type 0A: 1 key per packaging unit
- ▶ Key color blue



171458
A-FLX-K-0A-YE-171458

- ▶ Transponder coding
- ▶ Hohe Codierungsstufe entsprechend EN 14119
- ▶ Key type 0A: 1 key per packaging unit
- ▶ Key color yellow

Key A-FLX-K-0B FlexFunction, 10 keys per packaging unit



173405
A-FLX-K-0B-RD-V10-173405

- ▶ Transponder coding
- ▶ Hohe Codierungsstufe entsprechend EN 14119
- ▶ Key type 0B: 10 identically coded keys per packaging unit
- ▶ Key color red

Key A-FLX-K-0B FlexFunction, 2 keys per packaging unit



168962
A-FLX-K-0B-RD-V02-168962

- ▶ Transponder coding
- ▶ Hohe Codierungsstufe entsprechend EN 14119
- ▶ Key type 0B: 2 identically coded keys per packaging unit
- ▶ Key color red

Key A-FLX-K-0B FlexFunction, 3 keys per packaging unit



168963
A-FLX-K-0B-RD-V03-168963

- ▶ Transponder coding
- ▶ Hohe Codierungsstufe entsprechend EN 14119
- ▶ Key type 0B: 3 identically coded keys per packaging unit
- ▶ Key color red

Key A-FLX-K-0B FlexFunction, customer-specific packaging unit



173902

A-FLX-K-0B-173902

- ▶ Transponder coding
- ▶ Hohe Codierungsstufe entsprechend EN 14119
- ▶ Key type 0B: identically coded keys per packaging unit
- ▶ Number of keys per packaging unit can be chosen as required
- ▶ Key colors red, black, blue, yellow can be chosen as required

Miscellaneous

Adhesive labels

114529

MGB-A-PLATESET-NN01-114529

- ▶ Adhesive labels suitable for MGB evaluation modules, bus modules and control modules
- ▶ silver, blank
- ▶ Packaging unit = 10 pcs.

Lens set labeled



120377

AY-SET-LNS-SY01-120377



126158

AY-SET-LNS-SY03-126158



125359

AY-SET-LNS-SY02-125359



158307

AY-SET-LNS-SY04-158307



160049

AY-SET-LNS-SY05-160049

Lens set, 5 colors



120344

AY-SET-LNS-0001-120344



163284

AY-SET-LNS-0003-163284

Lens set, 6 colors



120378

AY-SET-LNS-0002-120378