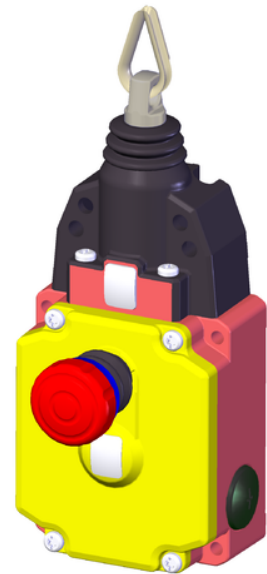


RPS-M-2131SR300M (Order no. 171993)

Rope pull switch with pull-to-reset button for emergency stop device, thimble

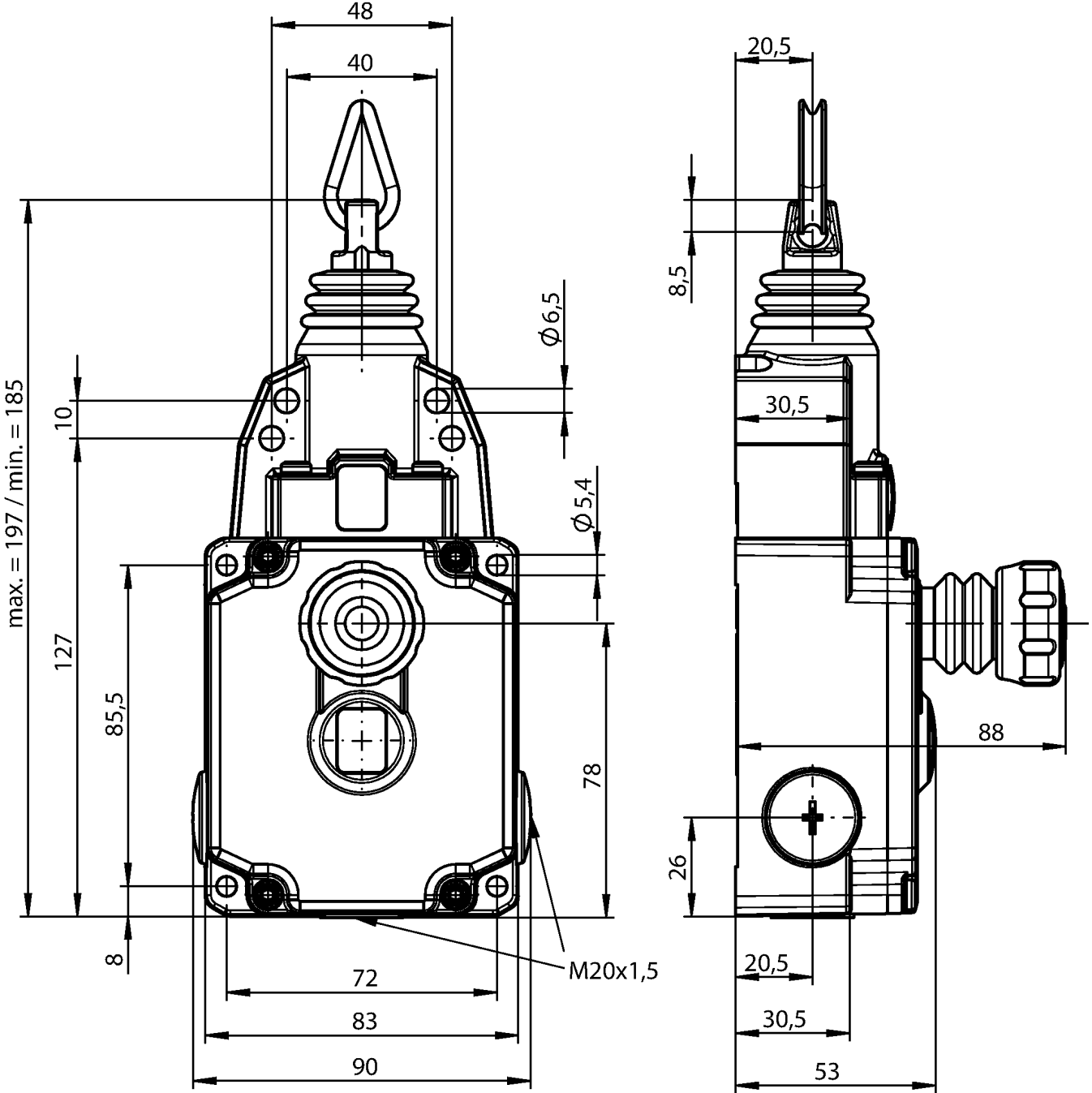
- ▶ Metal housing
- ▶ Emergency stop device with detent mechanism as per EN ISO 13850 and EN 60947-5-5
- ▶ Thimble for pull wire
- ▶ Indication of correct rope tension
- ▶ 3 cable entries M20 x 1.5
- ▶ Switching elements with 4 switching contacts



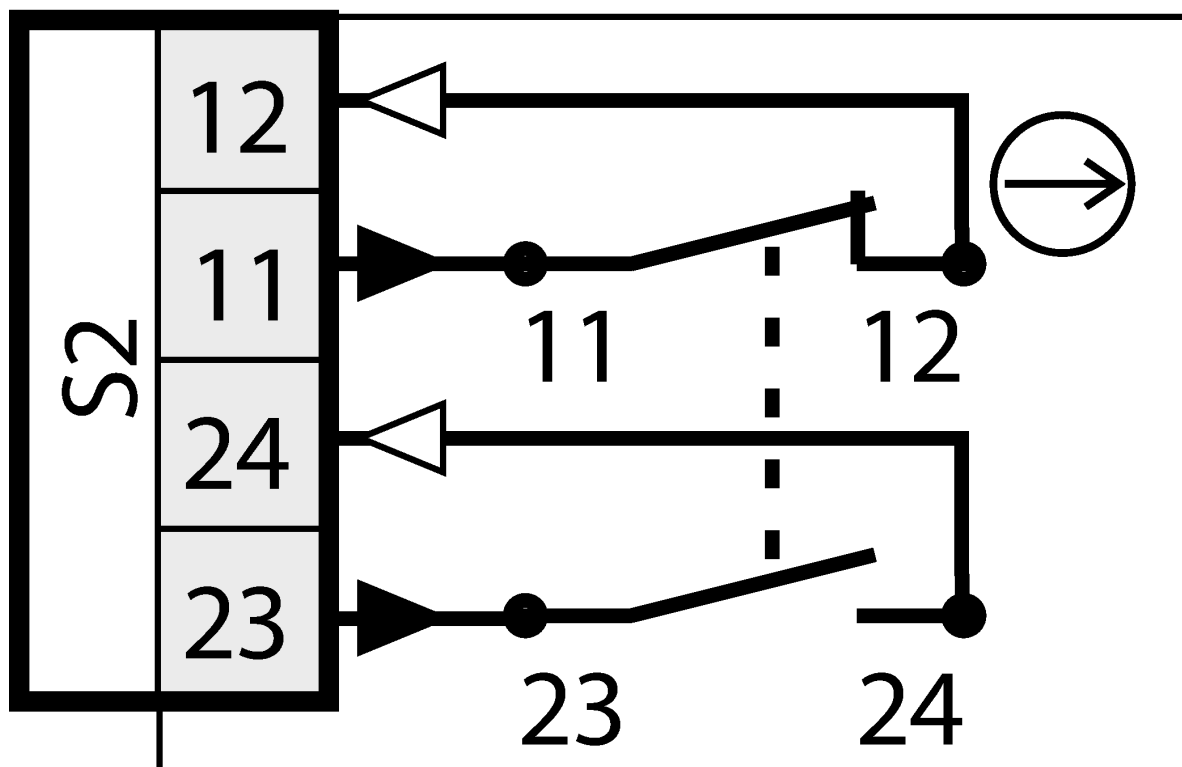
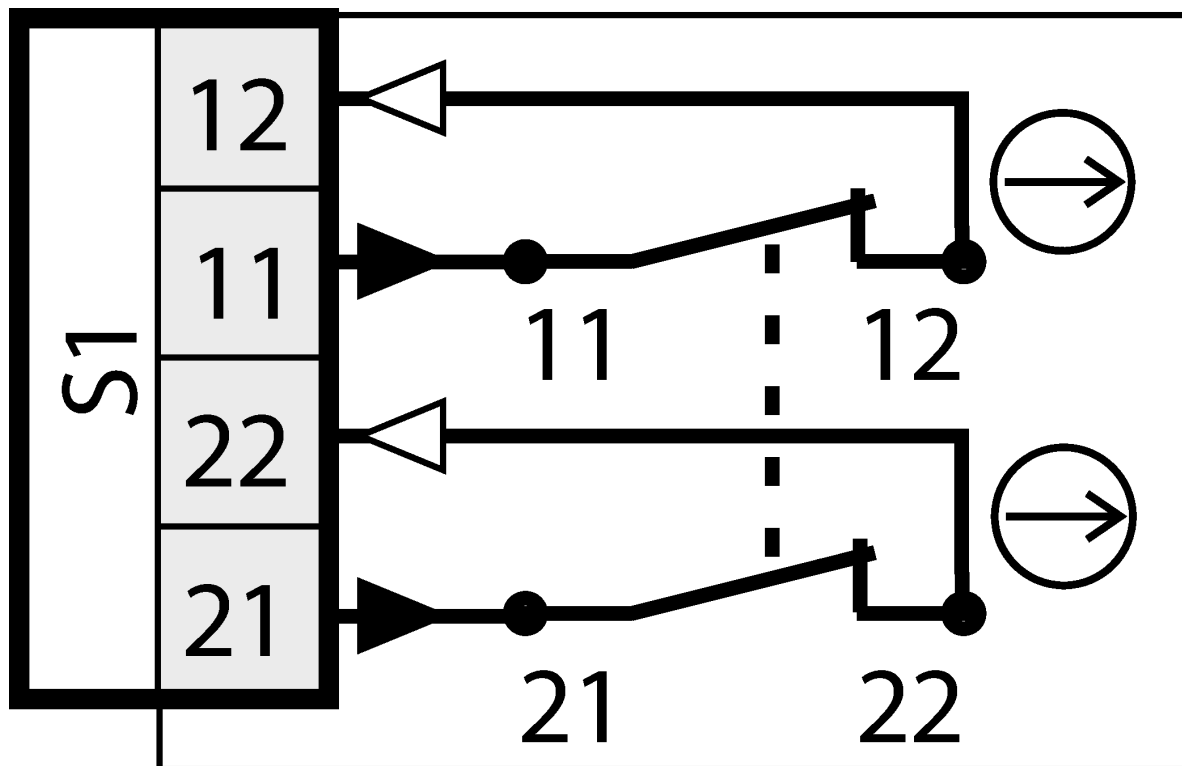
Switching element

2131 Slow-action switching contact 3 NC \rightarrow + 1 NO

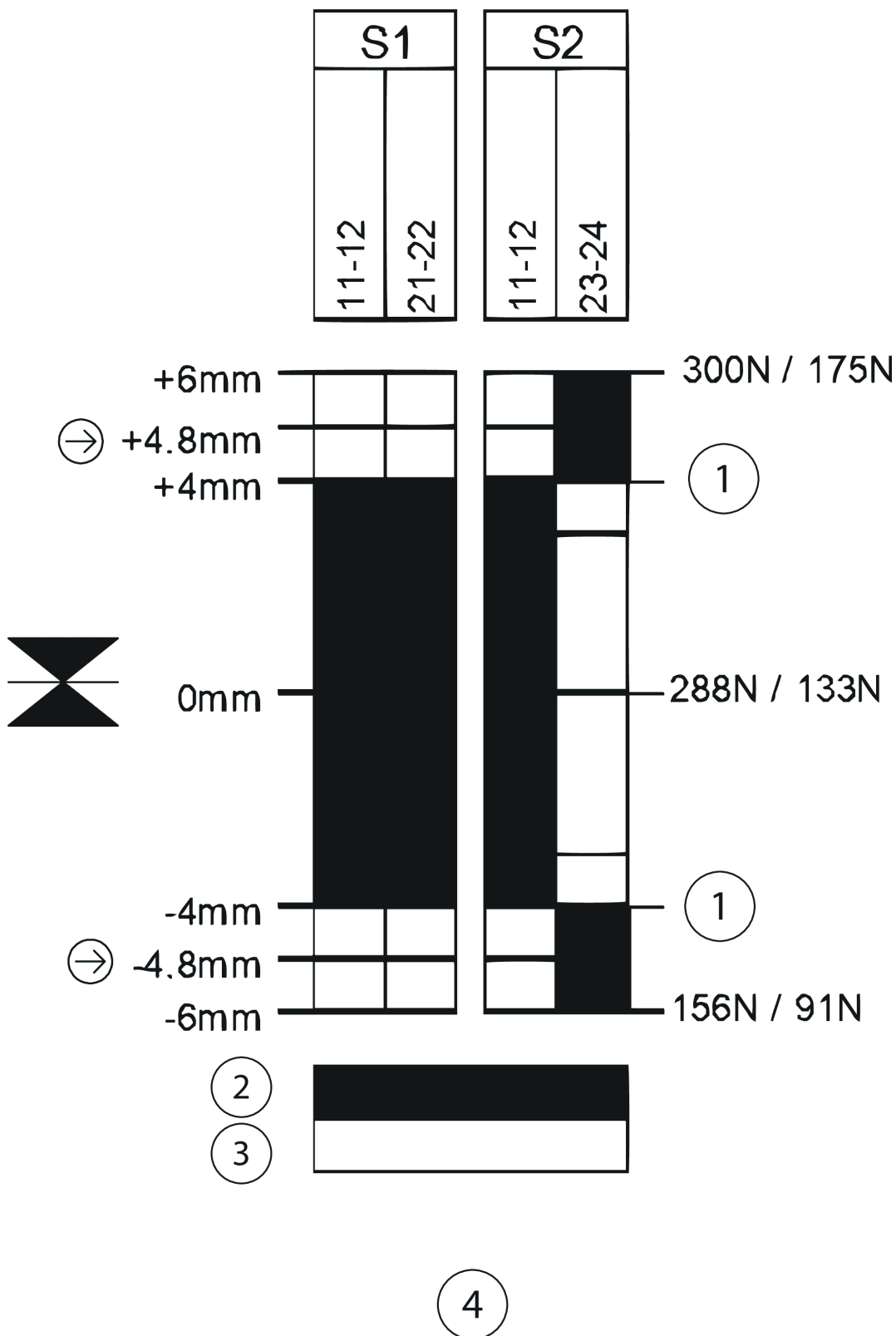
Dimensional drawings



Connection examples



Shift travel diagrams



Technical data

Approvals



Electrical connection values

Fuse	max. 6 A gG	
Connection cross section	0.5 ... 1.5 mm ²	
Rated insulation voltage U _i	250 V	
Rated impulse voltage U _{imp}	2.5 kV	
Utilization category		
	AC-15	3A 240V / 6A 120V
	DC-13	0.27A 250V / 0.55A 125V
Switching current		
	at 24V	min. 10 mA
thermal rated current I _{th}	10 A	

Mechanical values and environment

Connection type		
	3 x	M20 x 1.5
Number of NO contacts	1	
Number of positively driven contacts	3	
Actuation frequency	max. 1200 1/h	
Actuating force	300 N	
Installation orientation	any	
Storage temperature	-30 ... 80 °C	
Mechanical life	0.1 x 10 ⁶	
Switching principle	Slow-action switching contact	
Degree of protection	IP67	
Rope diameter	2 ... 5 mm	
Ambient temperature	-30 ... 80 °C	

Material

Housing Die-cast aluminum

Characteristic values according to EN ISO 13849-1 and EN IEC 62061

	B10 _D	Mission time
Emergency stop	0.2x10 ⁶	20 y

Miscellaneous

Additional feature

Emergency stop function

Downloads

All documentation for this material can be found on our website:

<https://www.euchner.de/en-us/a/171993/?#downloads-tab>

Ordering data

Ordernumber	171993
Item designation	RPS-M-2131SR300M
Gross weight	0,809kg
Customs tariff number	85365019000
ECLASS	27-37-12-01 Emergency stop pull cord switch

Accessories

Connection material

Cable glands M20x1.5, cable Ø 6–12 mm



086233
EKPM20/06 086233

Cable glands M20x1.5, cable Ø 6.5–9.5 mm



077683
EKVM20/06

Cable glands M20x1.5, cable Ø 9–13 mm



077684
EKVM20/09

Function expansion

Built-in LED, light shines to front



095510
EINBAULEUCHTE LED-F M20X1,5



171343 ▶ Color: transparent
AY-LED-024-GR/RD-T-171343



171344 ▶ Color: milky
AY-LED-024-GR/RD-M-171344

Built-in LED, light shines to side



087423
EINBAULEUCHTE LED M20X1,5

Mounting accessories

Eyebolt for rope pull switches



092495 ▶ Eyebolt with thread M8
RPS-O-8-50/V5

Housing cover for RPS-M



174628
RPS-M-CVR-174628

- ▶ Emergency stop according to ISO 13850
- ▶ 4 x screws included in the scope of delivery

Pulley set RPS-P/V1 for rope pull switches



096251
RPS-P-7-70

- ▶ Rope pulley block Ø 14 mm

Pulley set RPS-PS/V5 for rope pull switches



092501
RPS-PS/V5

- ▶ Pulley set consisting of rope pulley block and pulley support

Quick release head (Quick Fix)



174877
RPS-CMP-40-174877

- ▶ for RPS with towing eye

Rope set for rope pull switches



092496
RPS-RS/V5

- ▶ Rope set consisting of thimble and rope clamp

Tensioner spring for rope pull switches



092138
RPS-W-300

- ▶ Tensioner spring for tensile force 300 N

Tensioning rope for rope pull switches



092813
RPS-I-3-4/50M

- ▶ Tensioning rope with 50m length



092814
RPS-I-3-4/100M

- ▶ Tensioning rope with 100m length

Turnbuckle for rope pull switches



092498

RPS-B-6-60/V5

▶ Turnbuckle M6 x 60



092500

RPS-B-6-110

▶ Turnbuckle M6 x 100