

CKS-A-LA1-SC-171792 (Order no. 171792)

Electronic-Key adapter CKS, round design

- ▶ Key adapter with integrated CES read head
- ▶ Mechanical detent mechanism for inserted key
- ▶ LED indicator when key detected
- ▶ Simple connection via M8 plug connector(s)
- ▶ Mounting; assembly at the front; mounting cut-out Ø 22.5 mm



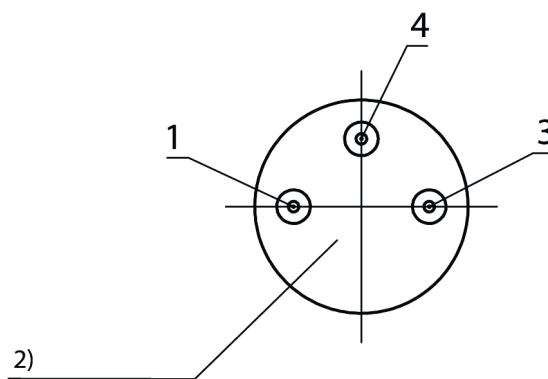
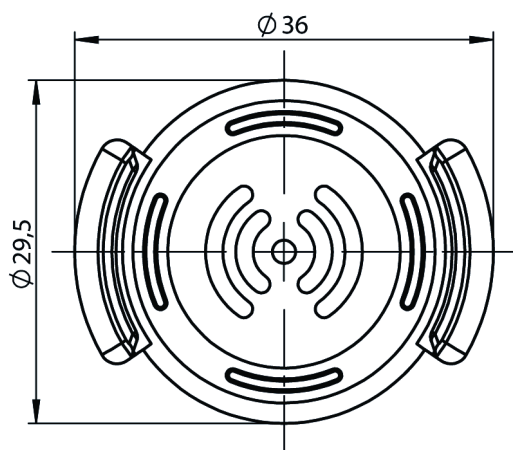
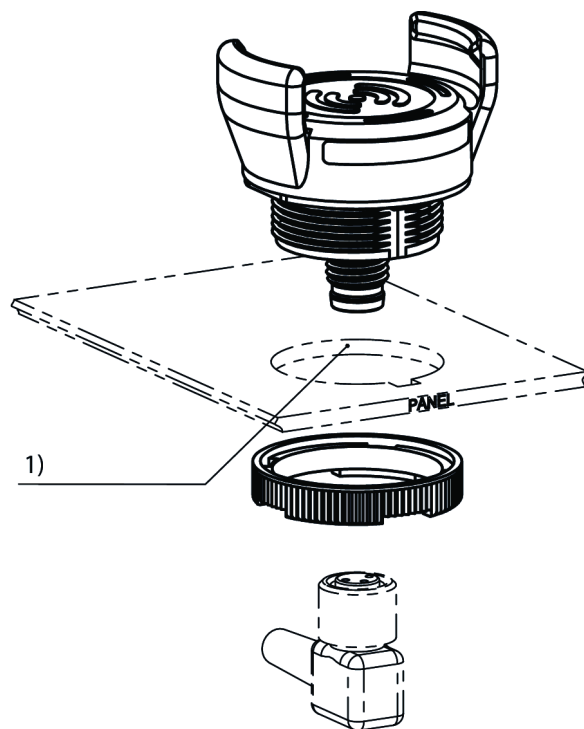
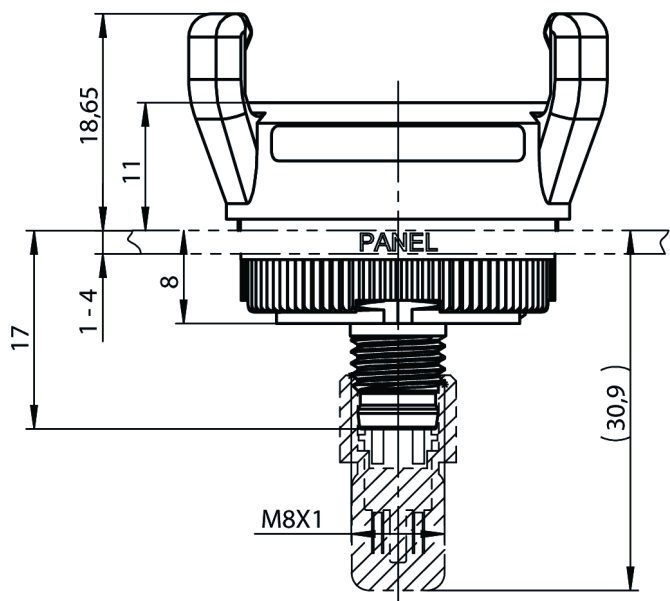
Combination options

Suitable for connection to a CES-AZ-.ES evaluation unit or CES-FD field device

Important!: The Electronic-Key adapter CKS must not be used as a lockout bar in combination with a multicode evaluation unit.

Important: Keys must be ordered separately!

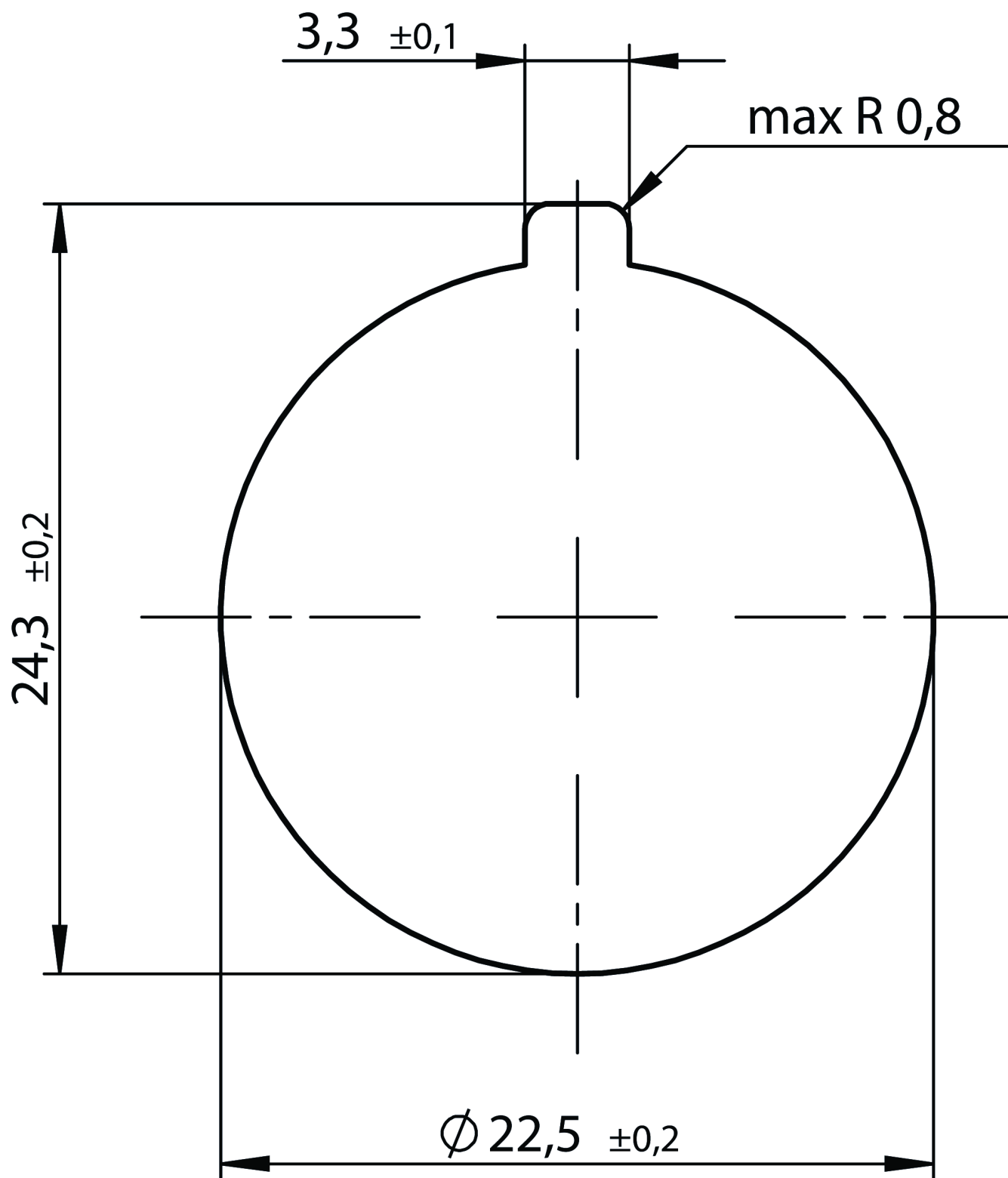
Dimensional drawings



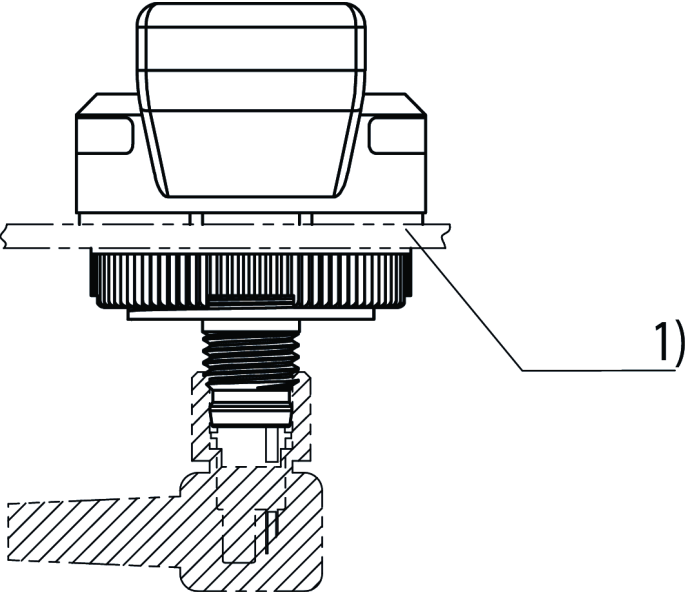
1) Panel cut-out \varnothing 22 according to IEC 60947-5-1

2) Terminal assignment as seen from the connection side

Dimensional drawings

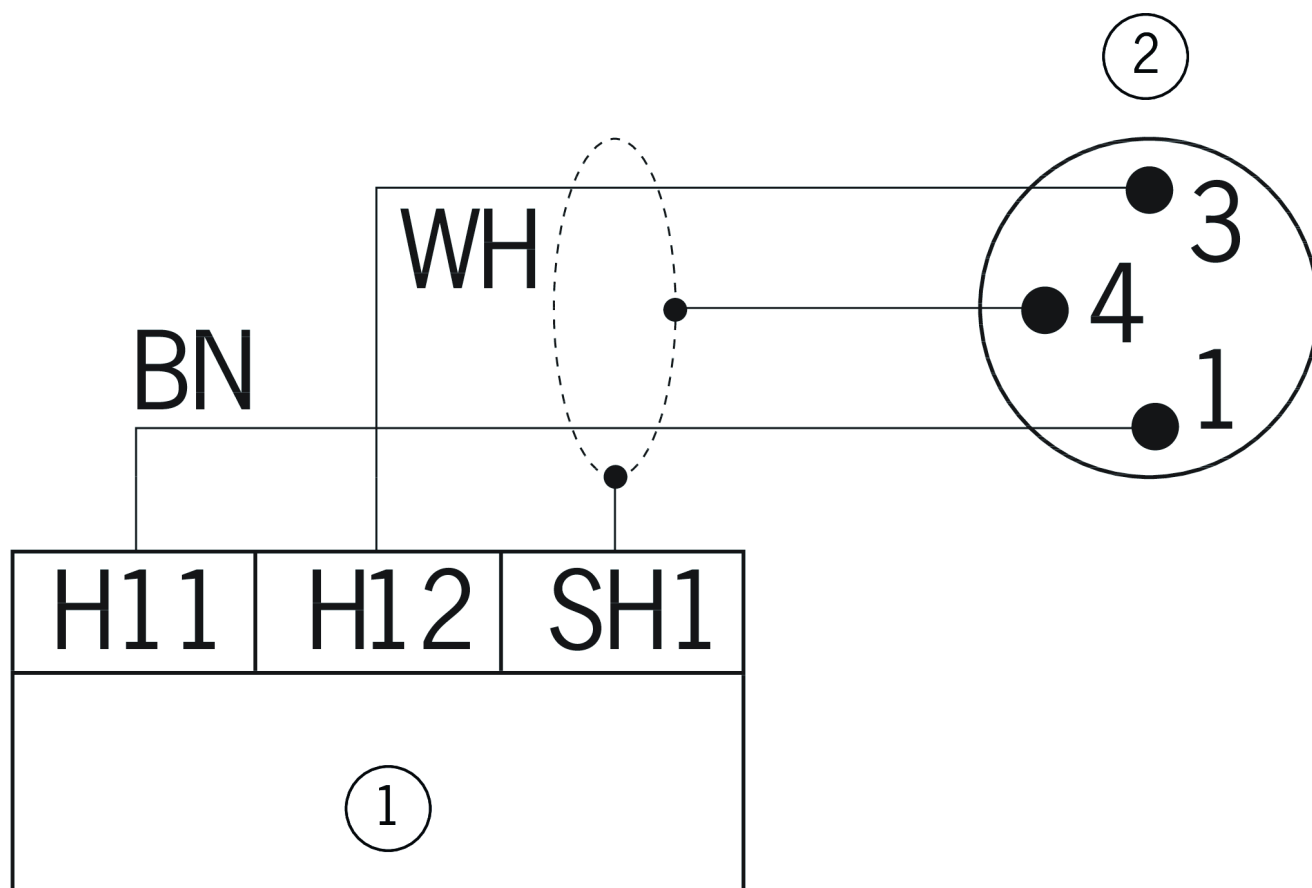


Dimensional drawings



- 1) protection against twisting
- A Cable outlet A (right)
- C Cable outlet C (left)

Connection examples



1 Evaluation unit CES-AZ-.ES or CES-FD

2 View of plug connector M8 for key adapter

Technical data

Approvals



Workspace

Secured switch-off distance s_{ar} related to the end stop of the inserted key	max. 35 mm
Secured switching distance s_{ao} related to the end stop of the inserted key	min. 2 mm
Switching hysteresis	1 mm

Operating and display elements

LED display	green: valid key recognized
-------------	-----------------------------

Electrical connection values

Power supply	Inductive via read head
--------------	-------------------------

Mechanical values and environment

Connection type	M8 plug connector, 3-pin
Tightening torque	
Mounting via enclosed nut	1.1 ... 1.3 Nm
Installation orientation	on the front
Cable length	max. 25 m
Mounting cut-out	D22 (EN IEC 60947-5-1)
Degree of protection	
IP69 when installed; IP20 on the rear side	IP65/IP67/IP69/IP69K
Ambient temperature	-20 ... +55 °C
Material	
Housing	Plastic TPU, PBT

Method of operation

inductive

Downloads

All documentation for this material can be found on our website:

<https://www.euchner.de/en-us/a/171792/?#downloads-tab>

Ordering data

Ordernumber	171792
Item designation	CKS-A-LA1-SC-171792
Gross weight	0,045kg
Customs tariff number	85389099990
ECLASS	27-27-24-03 Safety-related transponder switch

Accessories

Actuator

Key CKS, color black



157843

CKS-A-BK1-BK-157843

- ▶ Key CKS, color black

Key CKS, color red



113461

CKS-A-BK1-RD-113461

- ▶ Key CKS, color red



174172

CKS-A-BK1-RD-174172

- ▶ Key CKS, color red
- ▶ Neutral printing; without EUCHNER logo

Key CKS, color: blue



165637

CKS-A-BK1-BU-165637

- ▶ Key CKS, color: blue

Key CKS, color: yellow



165971

CKS-A-BK1-YE-165971

- ▶ Key CKS, color: yellow

Connection material

Connecting cable with angled plug connector M8, 3-pin, 10m



084701

C-M08F03-02X025PV10,0-ES-084701

- ▶ M8 female plug, 3-pin
- ▶ Angled plug connector
- ▶ Cable exit C (left)
- ▶ PVC cable
- ▶ Cable length 10 m
- ▶ With flying lead



098590

C-M08F03-02X025PU10,0-ES-098590

- ▶ M8 female plug, 3-pin
- ▶ Angled plug connector
- ▶ Cable exit C (left)
- ▶ PUR cable
- ▶ Cable length 10 m
- ▶ With flying lead

Connecting cable with angled plug connector M8, 3-pin, 25m



099998

C-M08F03-02X025PV25,0-ES-099998

- ▶ M8 female plug, 3-pin
- ▶ Angled plug connector
- ▶ Cable exit C (left)
- ▶ PVC cable
- ▶ Cable length 25 m
- ▶ With flying lead



120280

C-M08F03-02X025PU25,0-ES-120280

- ▶ M8 female plug, 3-pin
- ▶ Angled plug connector
- ▶ Cable exit C (left)
- ▶ PUR cable
- ▶ Cable length 25 m
- ▶ With flying lead

Connecting cable with plug connector M8, 3-pin, 10 m



077767

C-M08F03-02X025PV10,0-ES-077767

- ▶ M8 female plug, 3-pin
- ▶ Straight plug connector
- ▶ PVC cable
- ▶ Cable length 10 m
- ▶ With flying lead



084763

C-M08F03-02X025PU10,0-ES-084763

- ▶ M8 female plug, 3-pin
- ▶ Straight plug connector
- ▶ PUR cable
- ▶ Cable length 10 m
- ▶ With flying lead

Connecting cable with plug connector M8, 3-pin, 15 m



084764

C-M08F03-02X025PU15,0-ES-084764

- ▶ M8 female plug, 3-pin
- ▶ Straight plug connector
- ▶ PUR cable
- ▶ Cable length 15 m
- ▶ With flying lead

Connecting cable with plug connector M8, 3-pin, 20 m



077716

C-M08F03-02X025PV20,0-ES-077716

- ▶ M8 female plug, 3-pin
- ▶ Straight plug connector
- ▶ PVC cable
- ▶ Cable length 20 m
- ▶ With flying lead



084765

C-M08F03-02X025PU20,0-ES-084765

- ▶ M8 female plug, 3-pin
- ▶ Straight plug connector
- ▶ PUR cable
- ▶ Cable length 20 m
- ▶ With flying lead

Connecting cable with plug connector M8, 3-pin, 25 m



077717

C-M08F03-02X025PV25,0-ES-077717

- ▶ M8 female plug, 3-pin
- ▶ Straight plug connector
- ▶ PVC cable
- ▶ Cable length 25 m
- ▶ With flying lead



084766

C-M08F03-02X025PU25,0-ES-084766

- ▶ M8 female plug, 3-pin
- ▶ Straight plug connector
- ▶ PUR cable
- ▶ Cable length 25 m
- ▶ With flying lead

Connecting cable with plug connector M8, 3-pin, 3 m



077935

C-M08F03-02X025PV03,0-ES-077935

- ▶ M8 female plug, 3-pin
- ▶ Straight plug connector
- ▶ PVC cable
- ▶ Cable length 3 m
- ▶ With flying lead

Connecting cable with plug connector M8, 3-pin, 5 m



077793

C-M08F03-02X025PV05,0-ES-077793

- ▶ M8 female plug, 3-pin
- ▶ Straight plug connector
- ▶ PVC cable
- ▶ Cable length 5 m
- ▶ With flying lead



084762

C-M08F03-02X025PU05,0-ES-084762

- ▶ M8 female plug, 3-pin
- ▶ Straight plug connector
- ▶ PUR cable
- ▶ Cable length 5 m
- ▶ With flying lead