

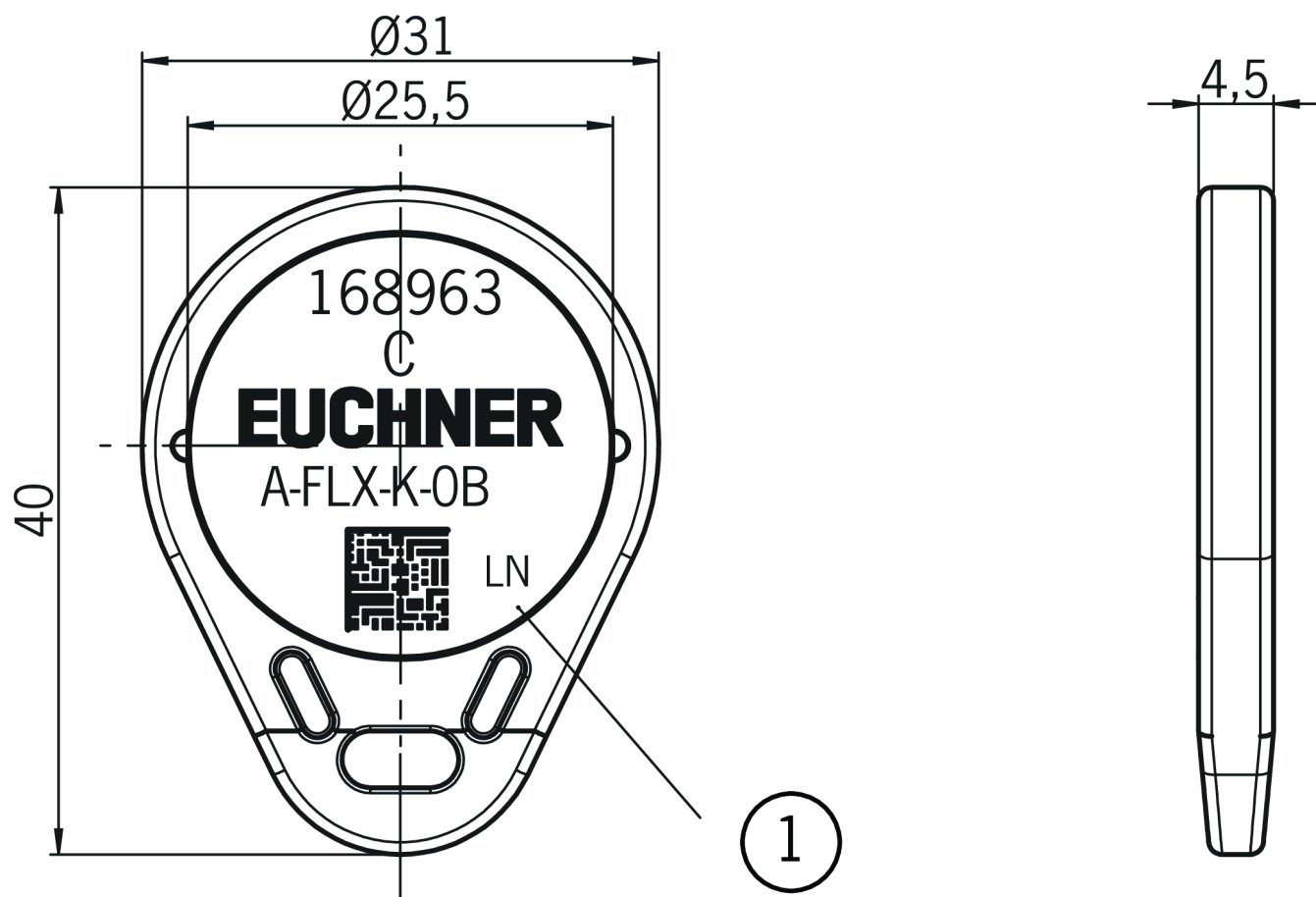
## A-FLX-K-0A-YE-171458 (Order no. 171458)

### Key A-FLX-K-0A FlexFunction, 1 key per packaging unit

- ▶ Transponder coding
- ▶ Hohe Codierungsstufe entsprechend EN 14119
- ▶ Key type 0A: 1 key per packaging unit
- ▶ Key color yellow



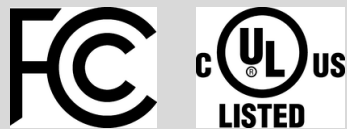
### Dimensional drawings



1 Active face

## Technical data

### Approvals



### Electrical connection values

Power supply	Inductive via key adapter
--------------	---------------------------

### Mechanical values and environment

Degree of protection	IP65/IP67
Ambient temperature	-30 ... +70 °C

Material	
	Housing ABS, yellow

## Downloads

All documentation for this material can be found on our website:

<https://www.euchner.de/en-us/a/171458/?#downloads-tab>

**Ordering data**

Ordernumber	171458
Item designation	A-FLX-K-0A-YE-171458
Gross weight	0,01kg
Customs tariff number	85389099990
ECLASS	27-27-24-04 Actuator for safety-related proximity switch

## Accessories

### Miscellaneous

#### Schlüsselanhänger für CKS / CKS2



**171876**

AY-A1-BK-V04-171876

- ▶ Schlüsselanhänger für Schlüssel CKS / CKS2
- ▶ 4 tags per packaging unit
- ▶ Material: plastic, black
- ▶ With key ring, pre-assembled