

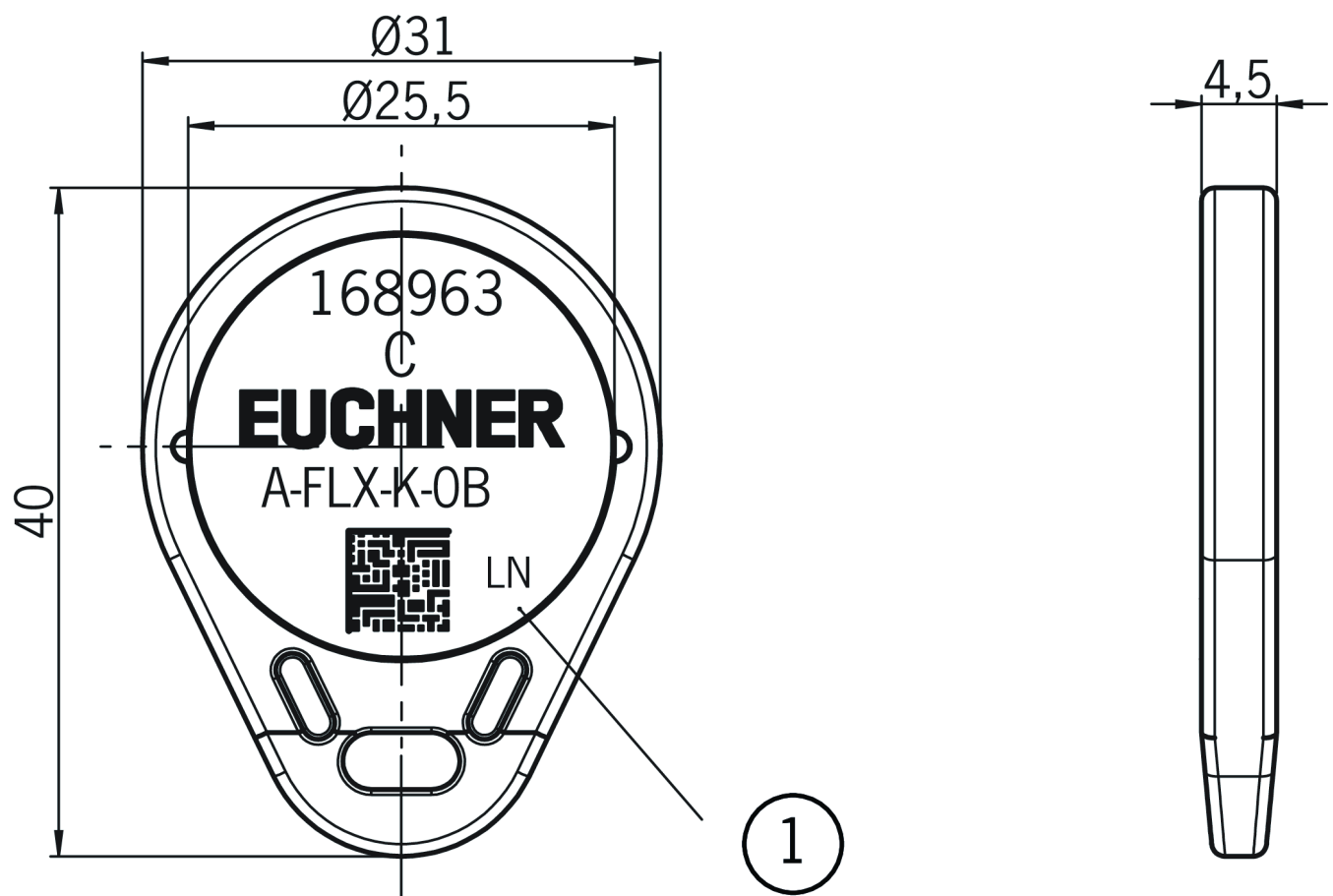
A-FLX-K-0A-BK-171455 (Order no. 171455)

Key A-FLX-K-0A FlexFunction, 1 key per packaging unit

- ▶ Transponder coding
- ▶ Hohe Codierungsstufe entsprechend EN 14119
- ▶ Key type 0A: 1 key per packaging unit
- ▶ Key color black



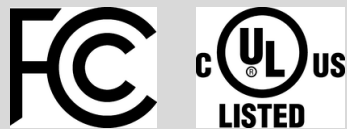
Dimensional drawings



1 Active face

Technical data

Approvals



Electrical connection values

Power supply	Inductive via key adapter
--------------	---------------------------

Mechanical values and environment

Degree of protection	IP65/IP67
Ambient temperature	-30 ... +70 °C

Material	
	Housing ABS, black

Downloads

All documentation for this material can be found on our website:

<https://www.euchner.de/en-us/a/171455/?#downloads-tab>

Ordering data

Ordernumber	171455
Item designation	A-FLX-K-0A-BK-171455
Gross weight	0,01kg
Customs tariff number	85389099990
ECLASS	27-27-24-04 Actuator for safety-related proximity switch

Accessories

Miscellaneous

Schlüsselanhänger für CKS / CKS2



171876

AY-A1-BK-V04-171876

- ▶ Schlüsselanhänger für Schlüssel CKS / CKS2
- ▶ 4 tags per packaging unit
- ▶ Material: plastic, black
- ▶ With key ring, pre-assembled