

A-FLX-K-0B-RD-V03-168963 (Order no. 168963)

Key A-FLX-K-0B FlexFunction, 3 keys per packaging unit

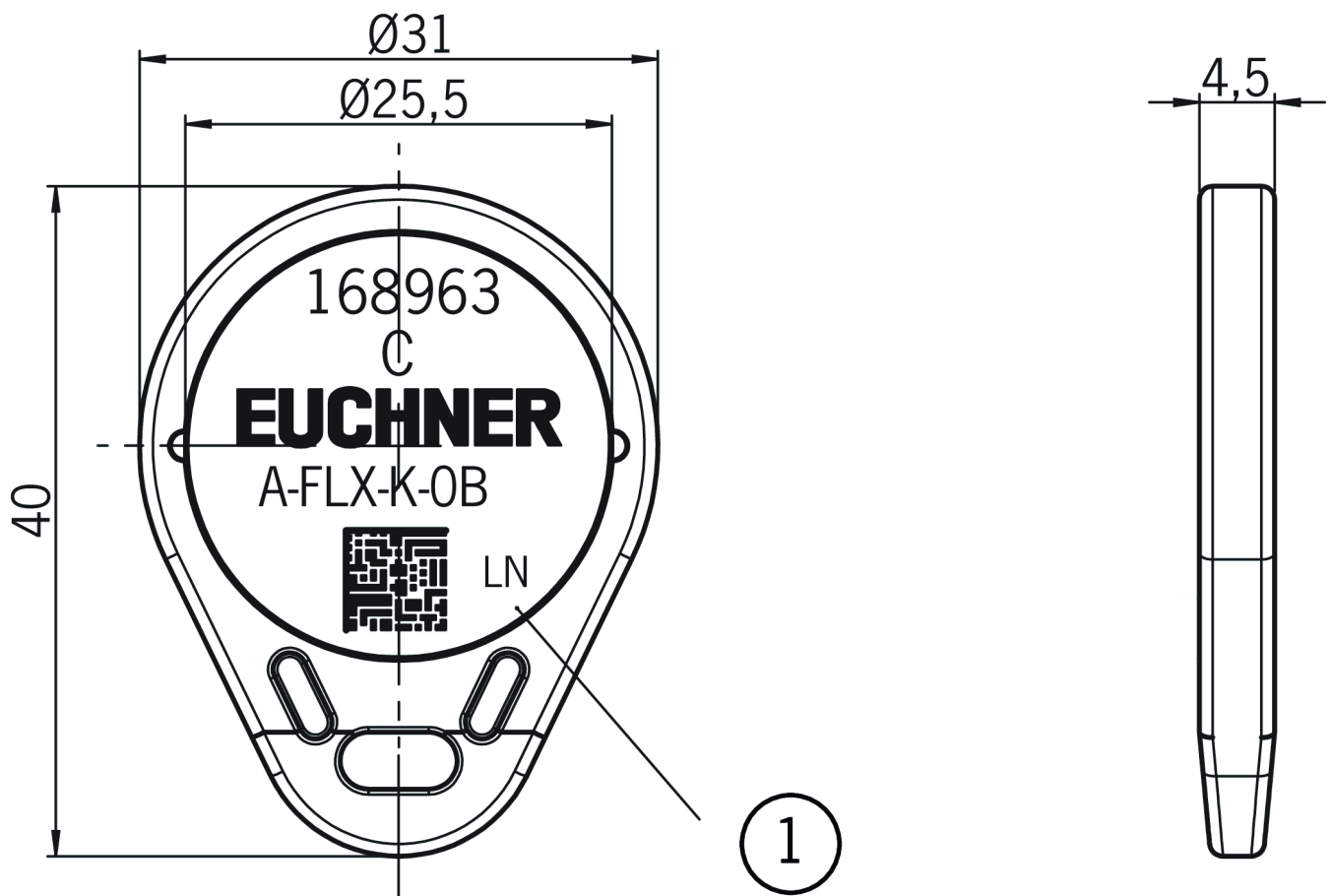
- ▶ Transponder coding
- ▶ Hohe Codierungsstufe entsprechend EN 14119
- ▶ Key type 0B: 3 identically coded keys per packaging unit
- ▶ Key color red



Coding

- ▶ All keys belonging to the same packaging unit have the same coding.
- ▶ Keys in different packaging units have different coding.
- ▶ Only one teach-in operation is required on the key adapter CKS2 if using the keys from one packaging unit.

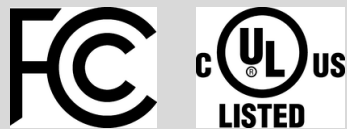
Dimensional drawings



1 Active face

Technical data

Approvals



Electrical connection values

Power supply	Inductive via key adapter
--------------	---------------------------

Mechanical values and environment

Degree of protection	IP65/IP67
Ambient temperature	-30 ... +70 °C

Material	
	Housing ABS, red

Downloads

All documentation for this material can be found on our website:

<https://www.euchner.de/en-us/a/168963/?#downloads-tab>

Ordering data

Ordernumber	168963
Item designation	A-FLX-K-0B-RD-V03-168963
Gross weight	0,015kg
Customs tariff number	85389099990
ECLASS	27-27-24-04 Actuator for safety-related proximity switch

Accessories

Miscellaneous

Schlüsselanhänger für CKS / CKS2



171876

AY-A1-BK-V04-171876

- ▶ Schlüsselanhänger für Schlüssel CKS / CKS2
- ▶ 4 tags per packaging unit
- ▶ Material: plastic, black
- ▶ With key ring, pre-assembled