

MSM-1-R-CKS2-FLX-00Q0FS-J1-168595 (Order no. 168595)

Submodul MSM-1-R... (CKS2 Schlüsselaufnahme)

- ▶ Function expansion for modules MGB2 and MCM
- ▶ Connection type: R
- ▶ CKS2 Schlüsselaufnahme mit integrierter Auswerteelektronik
- ▶ Freely controllable LEDs (red, green, yellow)
- ▶ Zusätzliche RGB-LED für einfache Diagnose
- ▶ Aussparung für Einlegeschild
- ▶ Inkl. Einlegeschilder-Set bunt



Category according to EN 13849-1

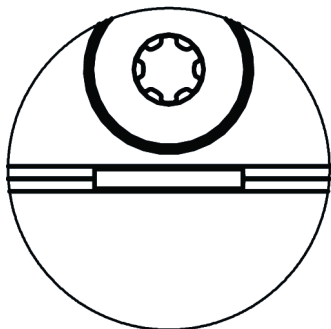
Das CKS2-System ist geeignet für die Integration in Anlagen mit höchsten Sicherheitsanforderungen wie der Kategorie 4 / PL e nach EN ISO 13849-1.

Key evaluation

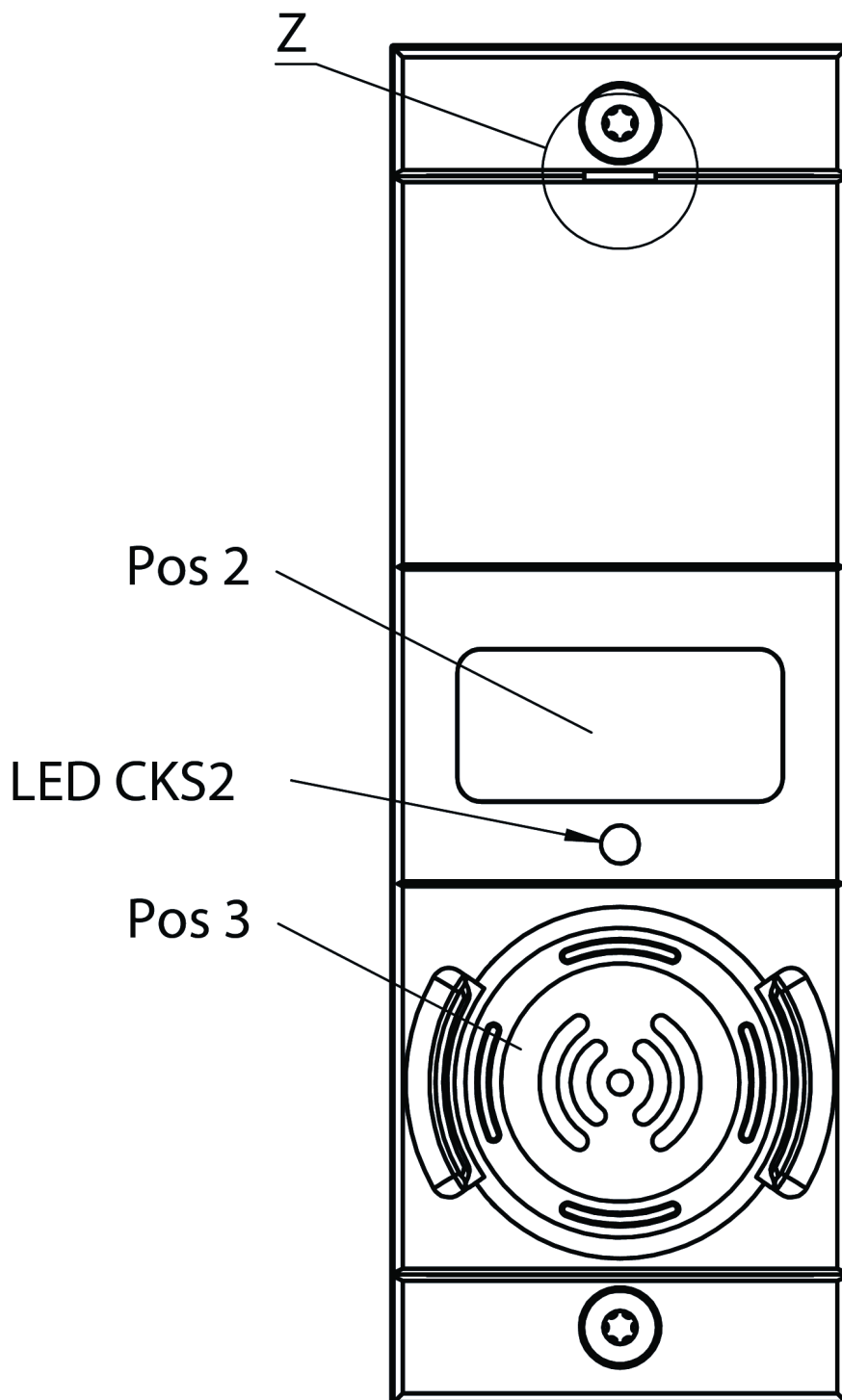
EUCHNER products with FlexFunction require a teach-in operation during setup to configure the device. The device's function depends on the taught-in key type.

Important: Keys must be ordered separately!

Dimensional drawings



Z 2:1

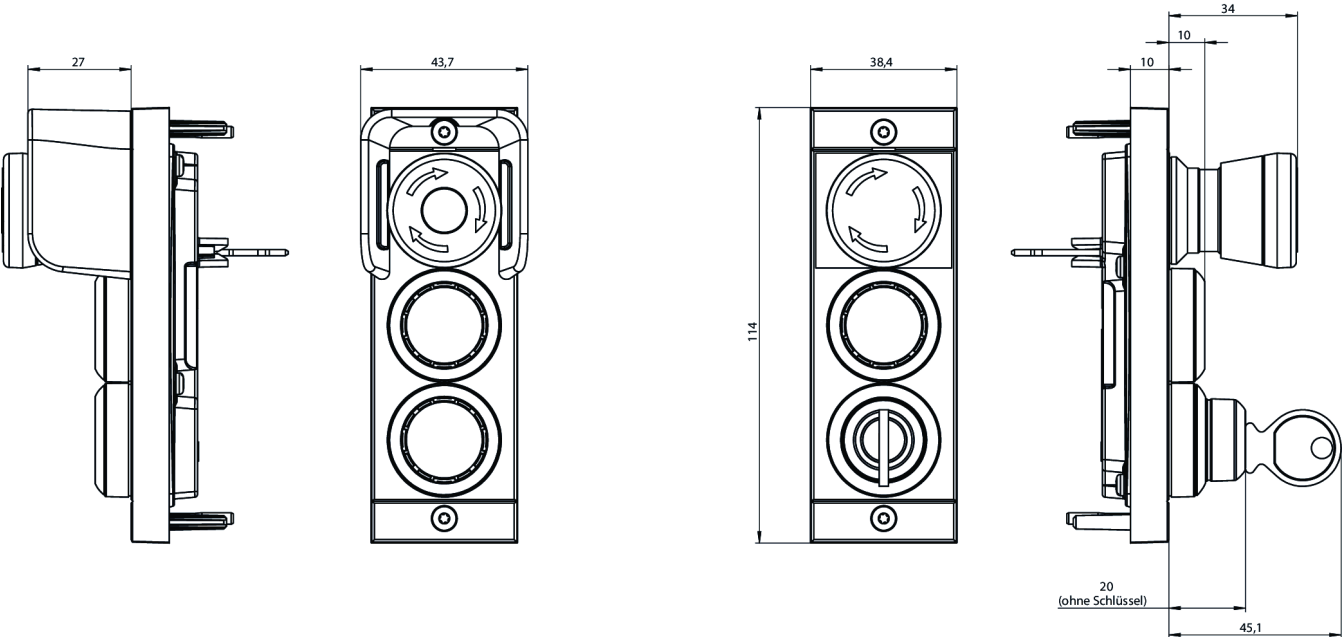


Pos 2 Position for slide-in label

Pos 3 CKS2 key system

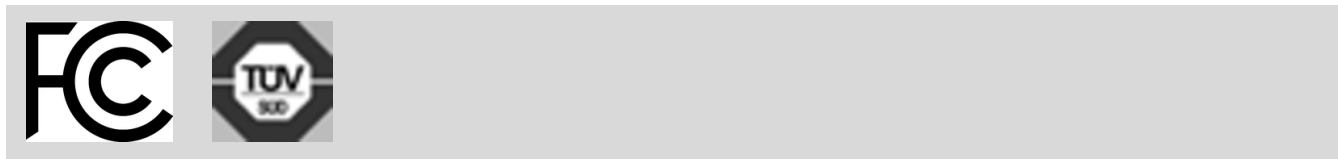
Z marks orientation of item 1

Dimensional drawings




Technical data

Approvals



Operating and display elements

Item	Color	Extras	Switching element	Note slide-in label	Slide-in label	Version	Number	Designation1	LED
2		12.5x27  mm				Position for slide-in label			
3						CKS2 key system			

Electrical connection values

Current consumption	max. 50 mA
---------------------	------------

Controls and indicators

Breaking capacity	max. 0.25 W
Switching voltage	24 V
Switching current	5 ... 10 mA
LED power supply	24 V DC

Mechanical values and environment

Installation orientation	any
Shock and vibration resistance	Acc. to EN IEC 60947-5-3
Degree of protection	IP65 (IP20) (in the installed state)
Ambient temperature	at $U_B = 24 \text{ V DC}$ -25 ... 55 °C
Material	Fiber glass reinforced plastic

Characteristic values according to EN ISO 13849-1 and EN IEC 62061

	PL	Maximum SIL	PFH _D	Category	Mission time
Safe key detection	PL e	3	3.37×10^{-9}	4	20 y

Miscellaneous

Submodulbreite	1
----------------	---

Slide-in label

Number Labeling Note

1	without marking
---	-----------------

Software ID (SW ID)	168595
---------------------	--------

Downloads

All documentation for this material can be found on our website:

<https://www.euchner.de/en-us/a/168595/?#downloads-tab>

Ordering data

Ordernumber	168595
Item designation	MSM-1-R-CKS2-FLX-00Q0FS-J1-168595
Gross weight	0,095kg
Customs tariff number	85371098
ECLASS	27-24-26-05 Field bus, decentralized peripheral – function-/technology module

Accessories

Actuator

Key A-FLX-K-0A FlexFunction, 1 key per packaging unit



168921
A-FLX-K-0A-RD-168921

- ▶ Transponder coding
- ▶ Hohe Codierungsstufe entsprechend EN 14119
- ▶ Key type 0A: 1 key per packaging unit
- ▶ Key color red



171455
A-FLX-K-0A-BK-171455

- ▶ Transponder coding
- ▶ Hohe Codierungsstufe entsprechend EN 14119
- ▶ Key type 0A: 1 key per packaging unit
- ▶ Key color black



171456
A-FLX-K-0A-BU-171456

- ▶ Transponder coding
- ▶ Hohe Codierungsstufe entsprechend EN 14119
- ▶ Key type 0A: 1 key per packaging unit
- ▶ Key color blue



171458
A-FLX-K-0A-YE-171458

- ▶ Transponder coding
- ▶ Hohe Codierungsstufe entsprechend EN 14119
- ▶ Key type 0A: 1 key per packaging unit
- ▶ Key color yellow

Key A-FLX-K-0B FlexFunction, 10 keys per packaging unit



173405
A-FLX-K-0B-RD-V10-173405

- ▶ Transponder coding
- ▶ Hohe Codierungsstufe entsprechend EN 14119
- ▶ Key type 0B: 10 identically coded keys per packaging unit
- ▶ Key color red

Key A-FLX-K-0B FlexFunction, 2 keys per packaging unit



168962
A-FLX-K-0B-RD-V02-168962

- ▶ Transponder coding
- ▶ Hohe Codierungsstufe entsprechend EN 14119
- ▶ Key type 0B: 2 identically coded keys per packaging unit
- ▶ Key color red

Key A-FLX-K-0B FlexFunction, 3 keys per packaging unit



168963
A-FLX-K-0B-RD-V03-168963

- ▶ Transponder coding
- ▶ Hohe Codierungsstufe entsprechend EN 14119
- ▶ Key type 0B: 3 identically coded keys per packaging unit
- ▶ Key color red

Key A-FLX-K-0B FlexFunction, customer-specific packaging unit



173902

A-FLX-K-0B-173902

- ▶ Transponder coding
- ▶ Hohe Codierungsstufe entsprechend EN 14119
- ▶ Key type 0B: identically coded keys per packaging unit
- ▶ Number of keys per packaging unit can be chosen as required
- ▶ Key colors red, black, blue, yellow can be chosen as required

Miscellaneous

Adhesive labels

114529

MGB-A-PLATESET-NN01-114529

- ▶ Adhesive labels suitable for MGB evaluation modules, bus modules and control modules
- ▶ silver, blank
- ▶ Packaging unit = 10 pcs.