

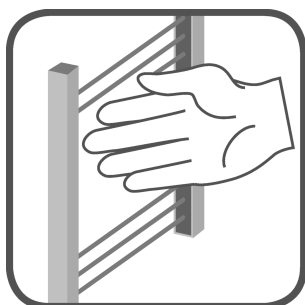
LCA-4TR-30-1810-AP-156523 (Order no. 156523)

Light curtain LCA-4TR-30-1810

- ▶ Resolution 30 mm
- ▶ Protective field height 1810 mm
- ▶ Range 12 m
- ▶ With plug connector M12
- ▶ 2 safety outputs (OSSD)
- ▶ Installation material is included with the product



Protective function



Hand protection

LED function display



Transmitter



Receiver

LED OK Normal operation

LED ERROR Fault state

LED STOP Stop state

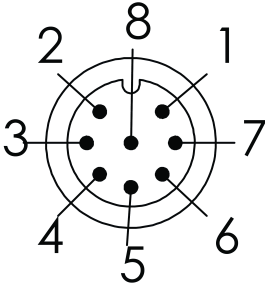
LED TEST Test function

LED START Start/restart

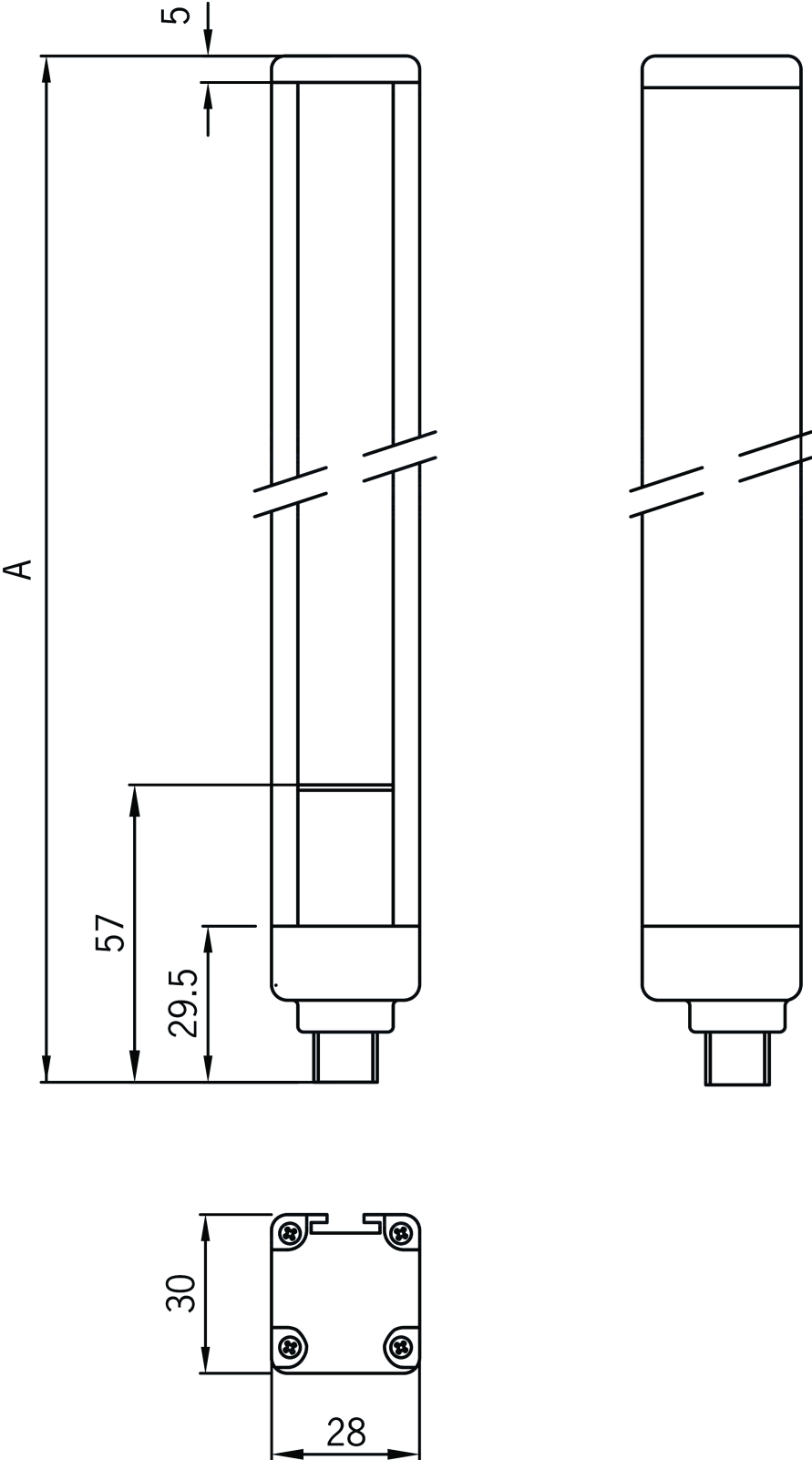
Connector assignment, transmitter

Plug connector (view of connection side)	Pin	Designation	Function	Connecting cable conductor coloring
	1	24 V DC	Operating voltage, 24 V DC	BN
	2	RANGE 0	Device configuration, corresponds to the standard EN 61131-2	WH
	3	0 V DC	Operating voltage, 0 V DC	BU
	4	RANGE 1	Device configuration, corresponds to the standard EN 61131-2	BK
	5	FE	Functional earth (must be connected to meet the EMC requirements)	GY

Connector assignment, receiver

Plug connector (view of connection side)	Pin	Designation	Function	Connecting cable conductor coloring
	1	FO1A	Safety output, channel 1	WH
	2	24 V DC	Operating voltage, 24 V DC	BN
	3	FO1B	Safety output, channel 2	GN
	4	K1_K2/ RESTART	Feedback external contactors	YE
	5	SEL_A	Device configuration	GY
	6	SEL_B	Device configuration	PK
	7	0 V DC	Operating voltage, 0 V DC	BU
	8	FE	Functional earth (must be connected to meet the EMC requirements)	RD

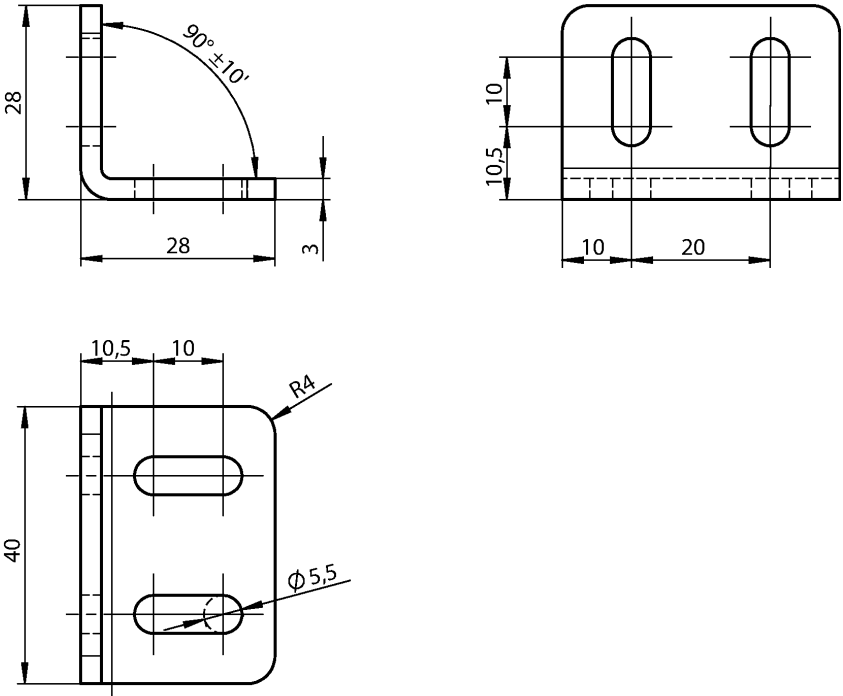
Dimensional drawings



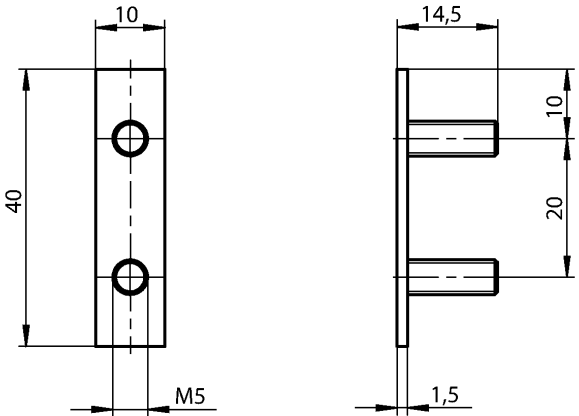
A = Height of the sensor (see technical data)

Dimensional drawings

A:



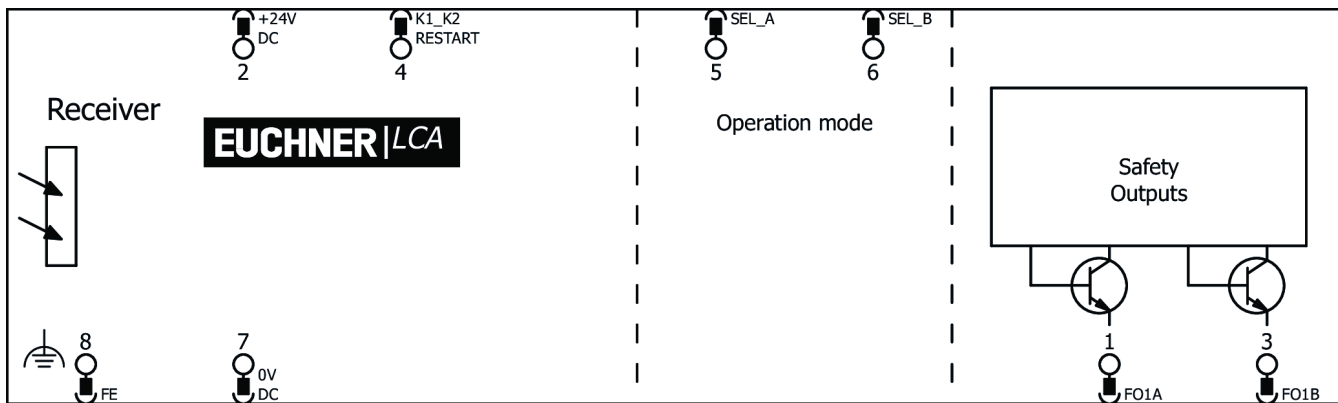
B:



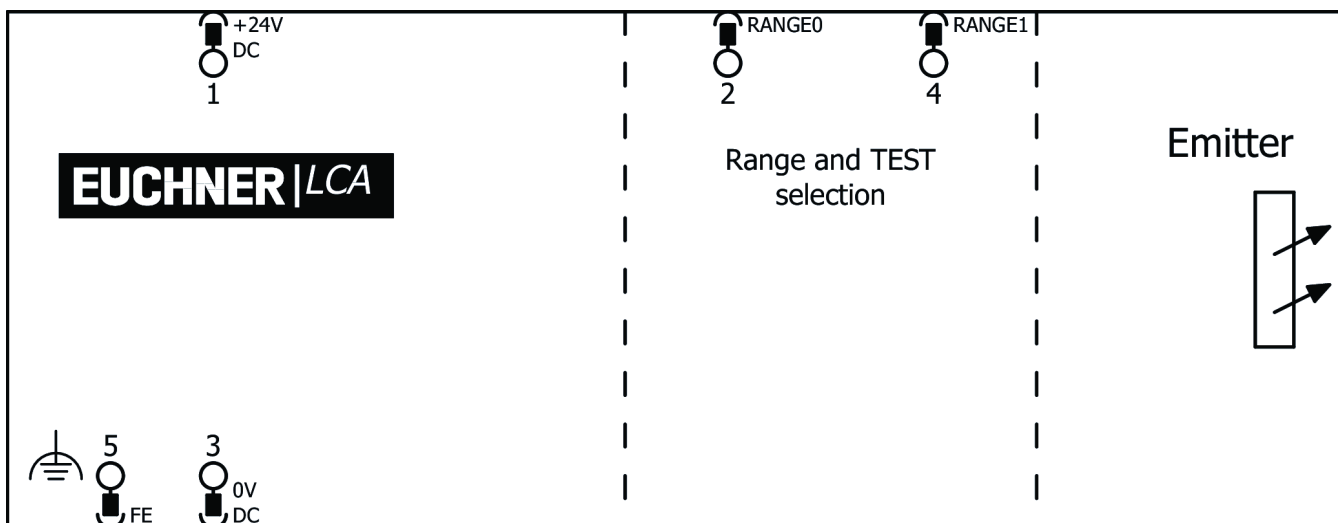
A Fastening bracket

B Mounting plate

Connection examples



Connection examples



Technical data

Approvals



Operating and display elements

LED display	yes (Self-diagnostics and status)
-------------	--------------------------------------

Electrical connection values

Receiver power consumption	2 W
Transmitter power consumption	1 W
Operating voltage DC	24 V DC -20% ... +20%
Cascadable	no
Muting possible	in combination with external sensors and an evaluation unit
Current consumption	400 mA

Mechanical values and environment

Dimensions	28x30 mm (in cross-section)
Connection type	Plug connector M12 (5-pin transmitter/8-pin receiver)
Number of safety outputs	2 static, self-monitoring PNP safety outputs (with short-circuit and overload protection)
Resolution	30 mm
Installation orientation	any (Optional: adjustable holders)
Height of the protective field	1810 mm
Height of the sensor	1863 mm
maximum length of connecting cables	100 m
Response time	22.5 ms
Range of the protective field	12000 mm
Degree of protection	IP65/IP67
Ambient temperature	-30 ... +55 °C

Characteristic values according to EN ISO 13849-1 and EN IEC 62061

Safety Integrity Level	SIL 3 / SILCL 3
------------------------	-----------------

Characteristic values according to EN ISO 13849-1 and EN IEC 62061

	PL	Maximum SIL	PFH _D	Category	Mission time
Monitoring of the protective field	PL e	3	2.15×10^{-8}	4	20 y

Miscellaneous

ESPE type	4 (according to EN 61496-1)
-----------	--------------------------------

Downloads

All documentation for this material can be found on our website:

<https://www.euchner.de/en-us/a/156523/?#downloads-tab>

Ordering data

Ordernumber	156523
Item designation	LCA-4TR-30-1810-AP-156523
Gross weight	5,523kg
Customs tariff number	85365019000
ECLASS	27-27-09-10 Light curtain

Accessories

Connection accessories

Connecting cable with 2 plug connectors M12, 5-pin, 10 m



119947
C-M12F05-05X034PU10,0-M12M05-119947

- ▶ M12 female plug to M12 plug connector, 5-pin
- ▶ Straight female plug and plug connector
- ▶ PUR cable
- ▶ Cable length 10 m



100181
C-M12F05-05X034PV10,0-M12M05-100181

- ▶ M12 female plug to M12 plug connector, 5-pin
- ▶ Straight female plug and plug connector
- ▶ PVC cable
- ▶ Cable length 10 m

Connecting cable with 2 plug connectors M12, 5-pin, 20 m



119971
C-M12F05-05X034PU20,0-M12M05-119971

- ▶ M12 female plug to M12 plug connector, 5-pin
- ▶ Straight female plug and plug connector
- ▶ PUR cable
- ▶ Cable length 20 m



100182
C-M12F05-05X034PV20,0-M12M05-100182

- ▶ M12 female plug to M12 plug connector, 5-pin
- ▶ Straight female plug and plug connector
- ▶ PVC cable
- ▶ Cable length 20 m

Connecting cable with 2 plug connectors M12, 5-pin, 5 m



100180
C-M12F05-05X034PV05,0-M12M05-100180

- ▶ M12 female plug to M12 plug connector, 5-pin
- ▶ Straight female plug and plug connector
- ▶ PVC cable
- ▶ Cable length 5 m



119932
C-M12F05-05X034PU05,0-M12M05-119932

- ▶ M12 female plug to M12 plug connector, 5-pin
- ▶ Straight female plug and plug connector
- ▶ PUR cable
- ▶ Cable length 5 m

Connecting cable with 2 plug connectors M12, 8-pin, 1 m



123430
C-M12M08-08X025PV01,0-M12F08-123430

- ▶ 8-pin M12 male plug, straight
- ▶ 8-pin M12 female plug, straight
- ▶ PVC cable
- ▶ Cable length 1 m

Connecting cable with 2 plug connectors M12, 8-pin, 10 m



123433
C-M12M08-08X025PV10,0-M12F08-123433

- ▶ 8-pin M12 male plug, straight
- ▶ 8-pin M12 female plug, straight
- ▶ PVC cable
- ▶ Cable length 10 m

Connecting cable with 2 plug connectors M12, 8-pin, 2 m



123431

C-M12M08-08X025PV02,0-M12F08-123431

- ▶ 8-pin M12 male plug, straight
- ▶ 8-pin M12 female plug, straight
- ▶ PVC cable
- ▶ Cable length 2 m

Connecting cable with 2 plug connectors M12, 8-pin, 5 m



123432

C-M12M08-08X025PV05,0-M12F08-123432

- ▶ 8-pin M12 male plug, straight
- ▶ 8-pin M12 female plug, straight
- ▶ PVC cable
- ▶ Cable length 5 m

Connecting cable with plug connector M12, 8-pin, 10 m



100178

C-M12F08-08X025PV10,0-MA-100178

- ▶ M12 female plug, 8-pin
- ▶ Straight plug connector
- ▶ PVC cable
- ▶ Cable length 10 m
- ▶ With flying lead



115113

C-M12F08-08X025PU10,0-MA-115113

- ▶ M12 female plug, 8-pin
- ▶ Straight plug connector
- ▶ PUR cable
- ▶ Cable length 10 m
- ▶ With flying lead

Connecting cable with plug connector M12, 8-pin, 20 m



100179

C-M12F08-08X025PV20,0-MA-100179

- ▶ M12 female plug, 8-pin
- ▶ Straight plug connector
- ▶ PVC cable
- ▶ Cable length 20 m
- ▶ With flying lead



115114

C-M12F08-08X025PU20,0-MA-115114

- ▶ M12 female plug, 8-pin
- ▶ Straight plug connector
- ▶ PUR cable
- ▶ Cable length 20 m
- ▶ With flying lead

Connecting cable with plug connector M12, 8-pin, 30 m



115116

C-M12F08-08X025PV30,0-MA-115116

- ▶ M12 female plug, 8-pin
- ▶ Straight plug connector
- ▶ PVC cable
- ▶ Cable length 30 m
- ▶ With flying lead



115257

C-M12F08-08X025PU30,0-MA-115257

- ▶ M12 female plug, 8-pin
- ▶ Straight plug connector
- ▶ PUR cable
- ▶ Cable length 30 m
- ▶ With flying lead

Connecting cable with plug connector M12, 8-pin, 5 m



115112

C-M12F08-08X025PU05,0-MA-115112

- ▶ M12 female plug, 8-pin
- ▶ Straight plug connector
- ▶ PUR cable
- ▶ Cable length 5 m
- ▶ With flying lead



100177

C-M12F08-08X025PV05,0-MA-100177

- ▶ M12 female plug, 8-pin
- ▶ Straight plug connector
- ▶ PVC cable
- ▶ Cable length 5 m
- ▶ With flying lead

Connecting cable with straight plug connector M12, 5-pin, 10 m



113640

C-M12F05-05X034PU10,0-MA-113640

- ▶ M12 female plug, 5-pin
- ▶ Straight plug connector
- ▶ PUR cable
- ▶ Cable length 10 m
- ▶ With flying lead



100184

C-M12F05-05X034PV10,0-MA-100184

- ▶ M12 female plug, 5-pin
- ▶ Straight plug connector
- ▶ PVC cable
- ▶ Cable length 10 m
- ▶ With flying lead

Connecting cable with straight plug connector M12, 5-pin, 20 m



113682

C-M12F05-05X034PU20,0-MA-113682

- ▶ M12 female plug, 5-pin
- ▶ Straight plug connector
- ▶ PUR cable
- ▶ Cable length 20 m
- ▶ With flying lead



100185

C-M12F05-05X034PV20,0-MA-100185

- ▶ M12 female plug, 5-pin
- ▶ Straight plug connector
- ▶ PVC cable
- ▶ Cable length 20 m
- ▶ With flying lead

Connecting cable with straight plug connector M12, 5-pin, 30 m



122784

C-M12F05-05X034PU30,0-MA-122784

- ▶ M12 female plug, 5-pin
- ▶ Straight plug connector
- ▶ PUR cable
- ▶ Cable length 30 m
- ▶ With flying lead

Connecting cable with straight plug connector M12, 5-pin, 5 m



100183

C-M12F05-05X034PV05,0-MA-100183

- ▶ M12 female plug, 5-pin
- ▶ Straight plug connector
- ▶ PVC cable
- ▶ Cable length 5 m
- ▶ With flying lead



113620
C-M12F05-05X034PU05,0-MA-113620

- ▶ M12 female plug, 5-pin
- ▶ Straight plug connector
- ▶ PUR cable
- ▶ Cable length 5 m
- ▶ With flying lead

Function expansion

Deflection mirror for protective field height 1810 mm



156914
AE-OS-S-1810-156914

- ▶ Deflection mirror with adjustable holder for light curtains LCA
- ▶ For protective field height 1810 mm

Mounting accessories

12 x vibration damper for protective field heights of 1,210 to 1,810 mm or 2- to 4-beam light grids



156918
AM-OS-D-V12-156918

- ▶ Vibration damper for light grids and light curtains LCA
- ▶ For protective field heights 1210 – 1810 mm or 2-4 beams
- ▶ Packaging unit 12 pcs.
- ▶ For reducing vibration
- ▶ Protects against damage
- ▶ Installation either on the product or on mounting pillar

4 x adjustable holder 180°



156921
AM-OS-B-A2-V04-156921

- ▶ Set of 4 holders for light grids and light curtains LCA
- ▶ Can be rotated by 180°
- ▶ Adjustable horizontally / vertically
- ▶ Quick mounting using two screws
- ▶ Can be mounted directly on LCA

6 x adjustable holder



156920
AM-OS-B-A1-V06-156920

- ▶ Set of 6 holders for light grids and light curtains LCA
- ▶ For protective field heights from 1210 mm
- ▶ Adjustable horizontally / vertically
- ▶ Quick mounting using two screws
- ▶ Can be mounted directly on LCA

miscellaneous accessories

Laser alignment aid



156915
AY-OS-LSR-156915

- ▶ Laser alignment aid for light grids and light curtains LCA
- ▶ Light source: laser diode – wavelength 650 nm
- ▶ Laser class 2
- ▶ Usable range 100 m
- ▶ Straightforward clamping on the transmitter

Test rod Ø 30 mm



156923

AY-OS-FTR-30-156923

- ▶ Test rod for light curtains LCA
- ▶ Used for function test
- ▶ Ø 30 mm
- ▶ Cylinder with matte surface