

CKS-K-AS2A-U-C20-PC-123592 (Order no. 123592)

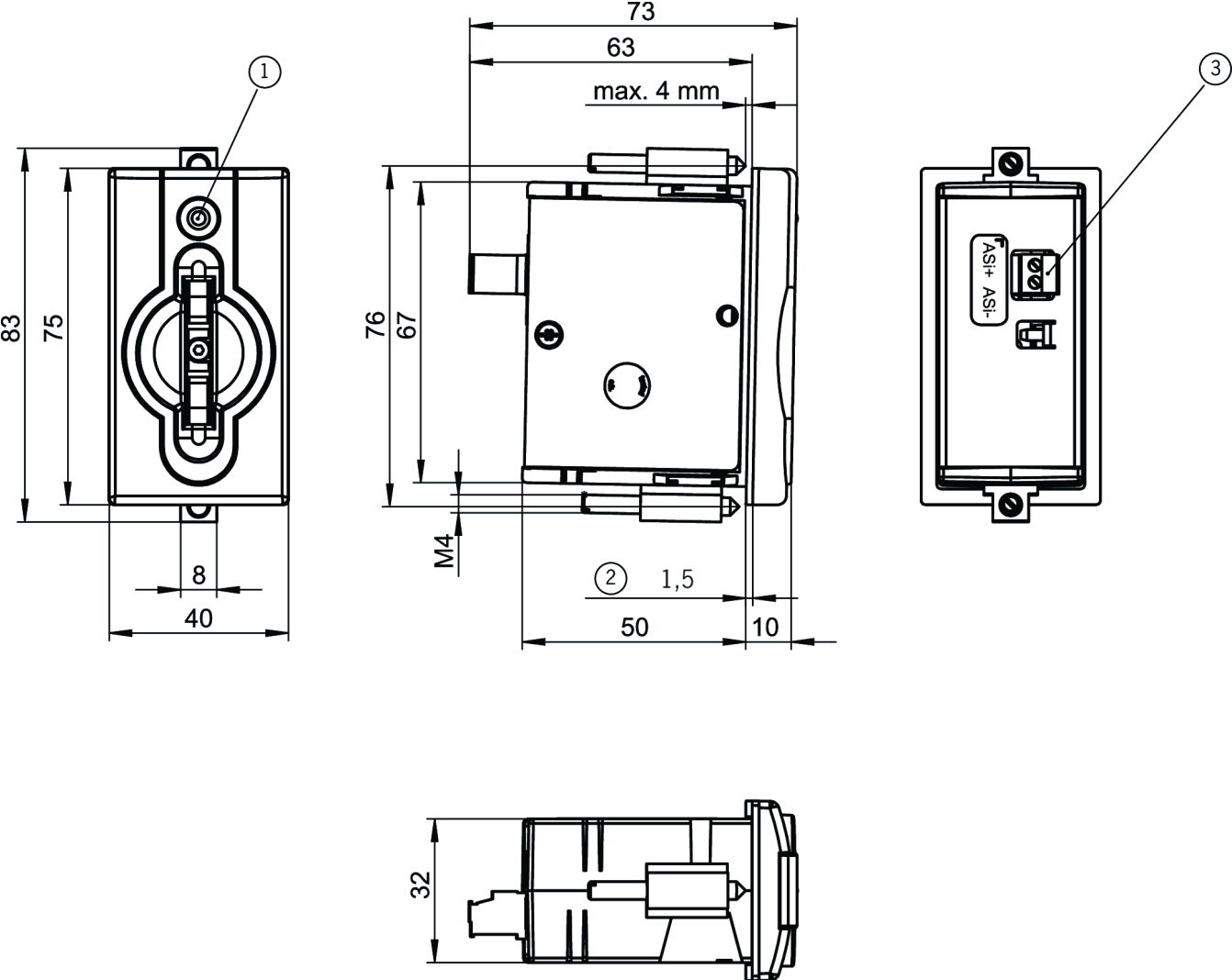
Key adapter CKS-K-AS with AS-i connection

- ▶ Key adapter with integrated CES read head
- ▶ Integrated diagnostic LEDs
- ▶ Category 4 / PL e according to EN ISO 13849-1
- ▶ Simple connection via AS-i
- ▶ High degree of protection IP67



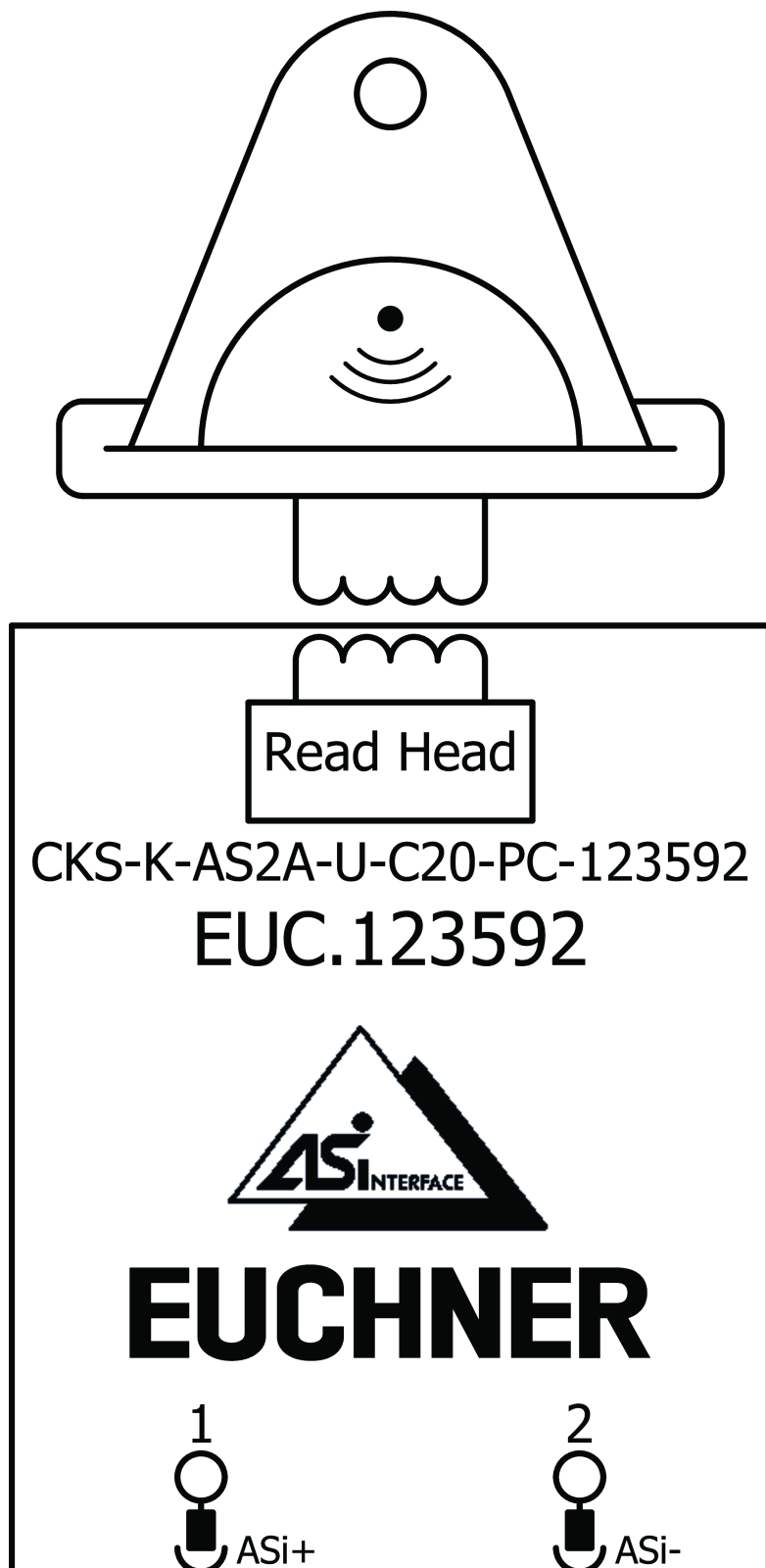
Important: Keys must be ordered separately!

Dimensional drawings



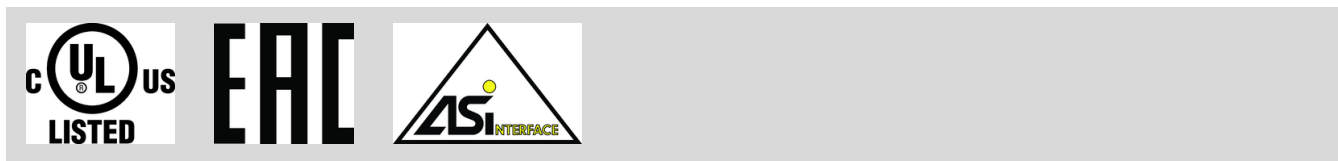
- 1 LED
- 2 Rubber seal
- 3 Plug-in screw terminal

Connection examples



Technical data

Approvals



Electrical connection values

ASI operating current	max. 50 mA
AS-Interface protocol	ASi-3
ASI data in	D0 – D3 = Key recognition
AS-Interface slave type	ID-Code: B, EA-Code: 0
ASI voltage	19 ... 30 ... 31.6 V
Rated insulation voltage U_i	300 V
Rated impulse voltage U_{imp}	1.5 kV
Turn-on time	
	Safety outputs max. 300 ms
Risk time according to EN 60947-5-3	max. 260 ms
Safety class	III
Degree of contamination (external, according to EN 60947-1)	2

Mechanical values and environment

Connection type	Screw terminal, 2-pin
Tightening torque	
	Fixing screws 0.25 ... 0.35 Nm
Installation orientation	on the front
Mounting cut-out	33 x 68 mm
Shock and vibration resistance	Acc. to EN IEC 60947-5-3
Degree of protection	
	in mounted condition (only access side) IP65/IP67 (when installed)
Ambient temperature	-10 ... +65 °C

Material

Housing PA6-GF30, black

Characteristic values according to EN ISO 13849-1 and EN IEC 62061

	PL	Maximum SIL	PFH _D	Category	Mission time
Safe key detection	PL e	-	4.5×10^{-9}	4	20 y

Miscellaneous

Notices for UL approval

Operation only with UL Class 2 power supply or equivalent measures

Downloads

All documentation for this material can be found on our website:

<https://www.euchner.de/en-us/a/123592/?#downloads-tab>

Ordering data

Ordernumber	123592
Item designation	CKS-K-AS2A-U-C20-PC-123592
Gross weight	0,18kg
Customs tariff number	85389099990
ECLASS	27-27-24-03 Safety-related transponder switch

Accessories

Actuator

Key CKS, color black



157843
CKS-A-BK1-BK-157843

▶ Key CKS, color black

Key CKS, color red



113461
CKS-A-BK1-RD-113461

▶ Key CKS, color red



174172
CKS-A-BK1-RD-174172

▶ Key CKS, color red
▶ Neutral printing; without EUCHNER logo

Key CKS, color: blue



165637
CKS-A-BK1-BU-165637

▶ Key CKS, color: blue

Key CKS, color: yellow



165971
CKS-A-BK1-YE-165971

▶ Key CKS, color: yellow

Miscellaneous

Color cover set for CKS key adapter (black, blue, yellow)



165413
AY-SET-CVR-165413

▶ Color covers for CKS key adapter
▶ Packaging unit with black, blue and yellow covers
▶ Color covers can be replaced on the CKS on location