

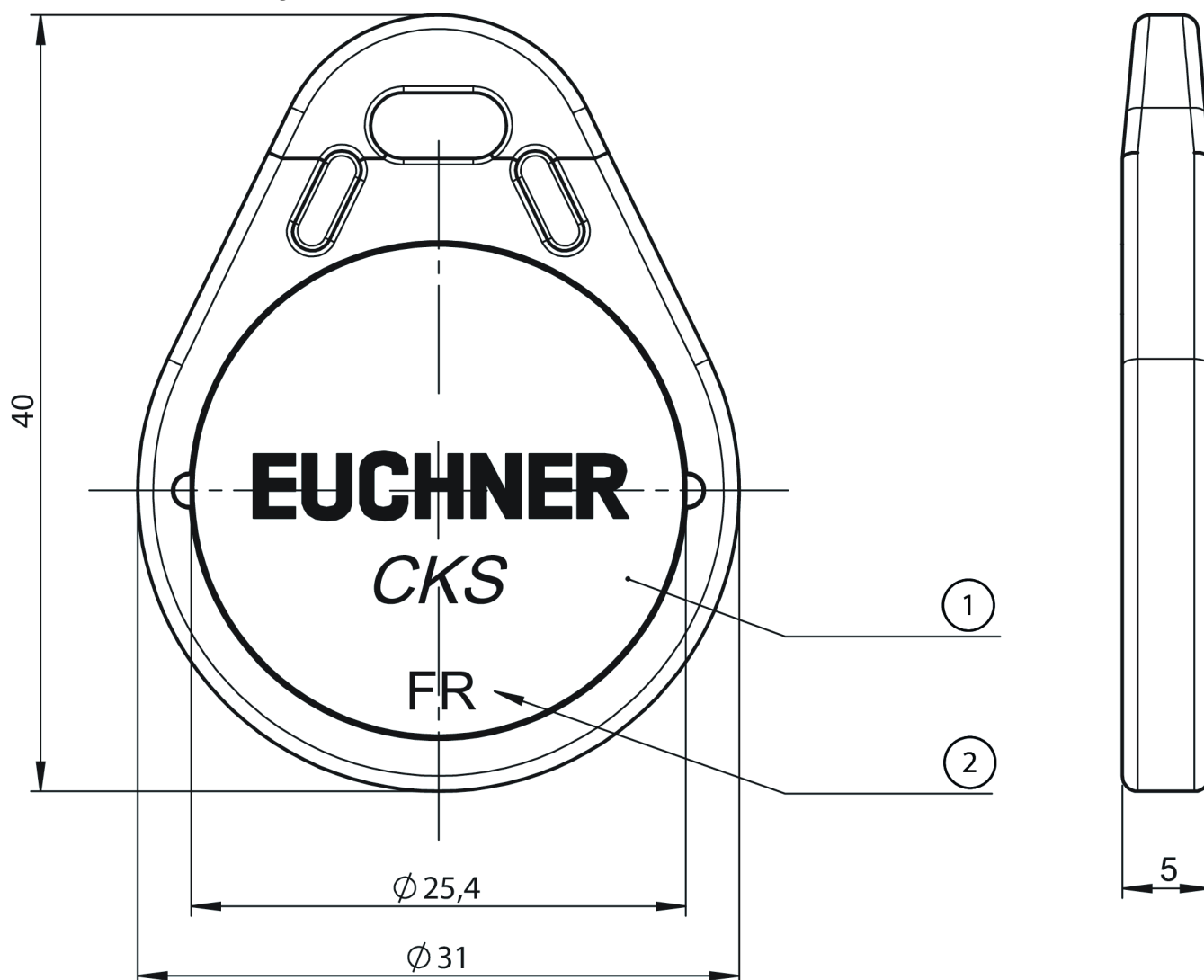
CKS-A-BK1-RD-113461 (Order no. 113461)

Key CKS, color red

- ▶ Key CKS, color red



Dimensional drawings



1 Active face

2 Date code

Technical data

Approvals



Electrical connection values

Power supply	Inductive via read head
--------------	-------------------------

Mechanical values and environment

Degree of protection	IP65/IP67
----------------------	-----------

Ambient temperature	-20 ... +70 °C
---------------------	----------------

Material	
----------	--

Housing	ABS, red
---------	----------

Downloads

All documentation for this material can be found on our website:

<https://www.euchner.de/en-us/a/113461/?#downloads-tab>

Ordering data

Ordernumber	113461
Item designation	CKS-A-BK1-RD-113461
Gross weight	0,008kg
Customs tariff number	85389099990
ECLASS	27-27-24-03 Safety-related transponder switch

Accessories

Miscellaneous

Key ring for CKS / CKS2



171876

AY-A1-BK-V04-171876

- ▶ Key ring for key CKS / CKS2
- ▶ 4 tags per packaging unit
- ▶ Material: plastic, black
- ▶ With key ring, pre-assembled