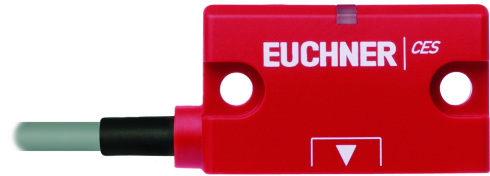


## CES-A-LNN-10V-113294 (Order no. 113294)

### Read head CES-A-LNN-...hard-wired encapsulated cable 10 m, PVC

- ▶ Cube-shaped design 42 x 25 mm
- ▶ Mounting compatible with series CES-A-LNA/LCA
- ▶ LED for indicating the door position
- ▶ Hard-wired encapsulated cable, PVC
- ▶ Cable length 10 m



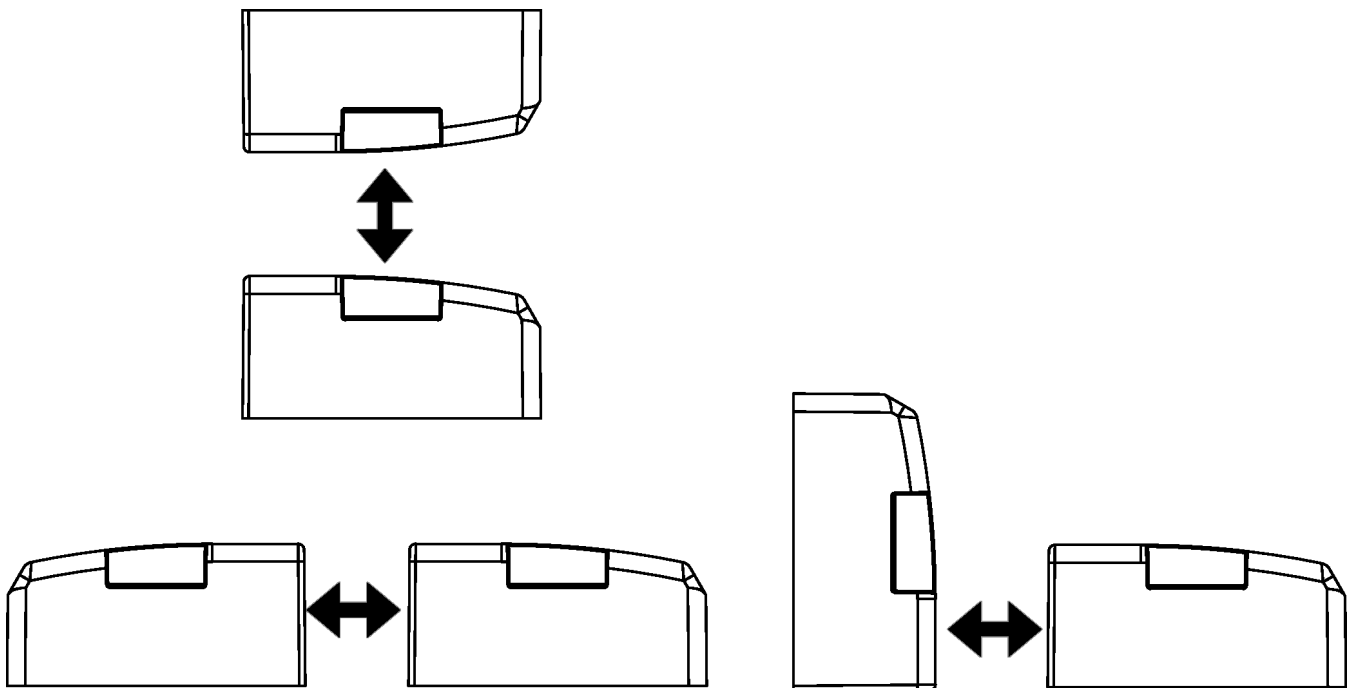
### Combination options

Suitable for connection to a CES-AZ evaluation unit

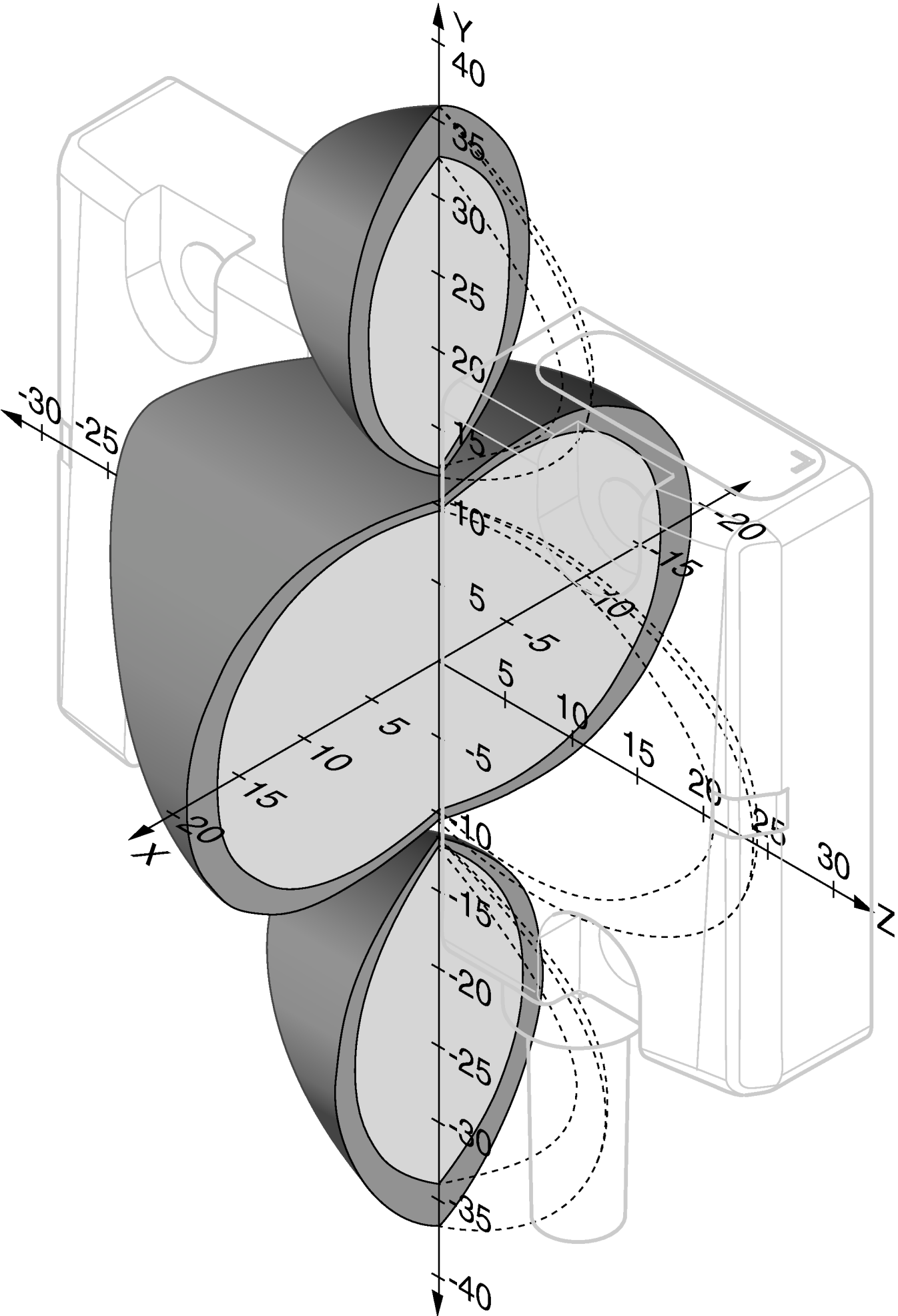
**Attention:** The actuating range may vary depending on the substrate material and installation situation.

**Important:** Actuators must be ordered separately!

### Approach directions

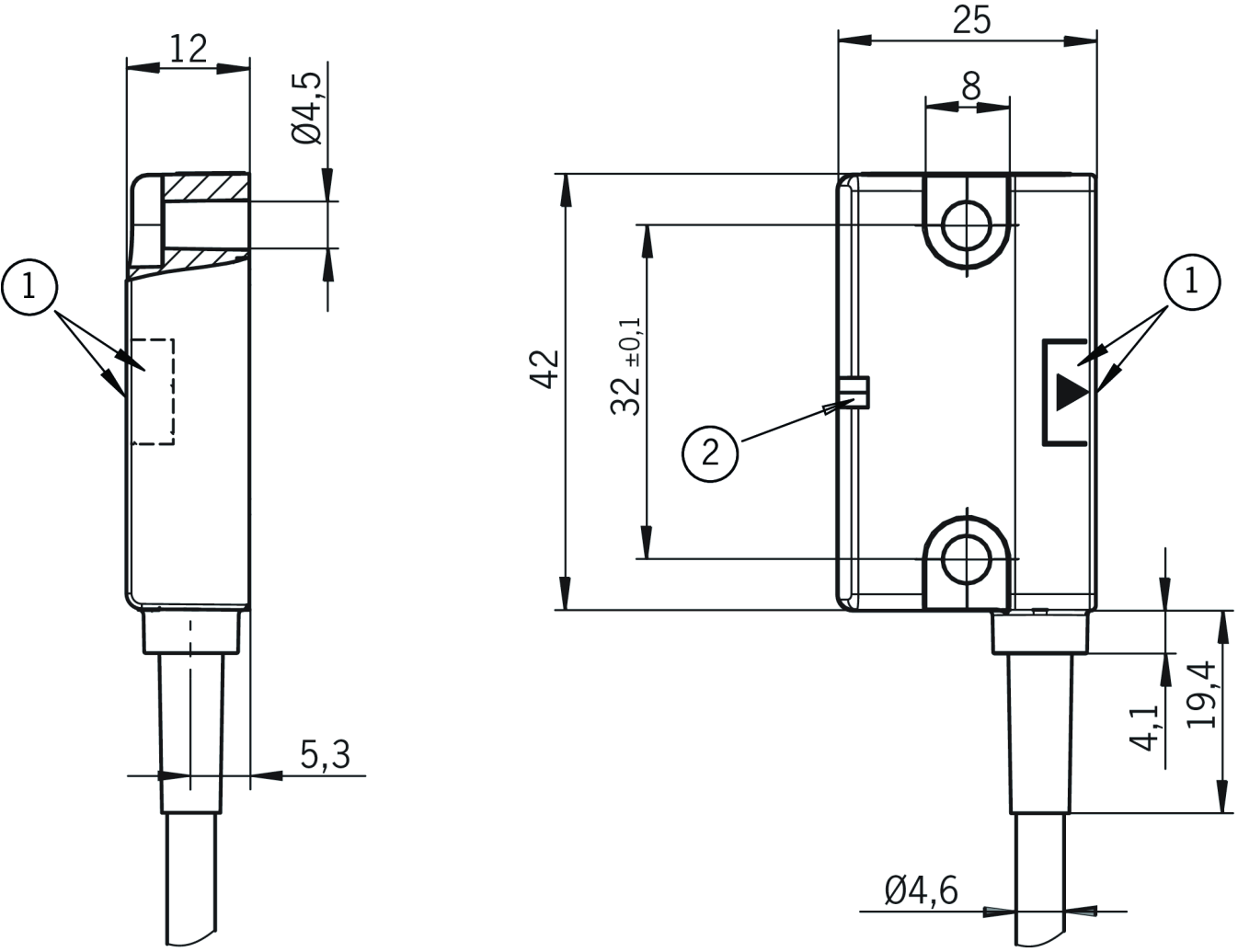


## Typical operating distance



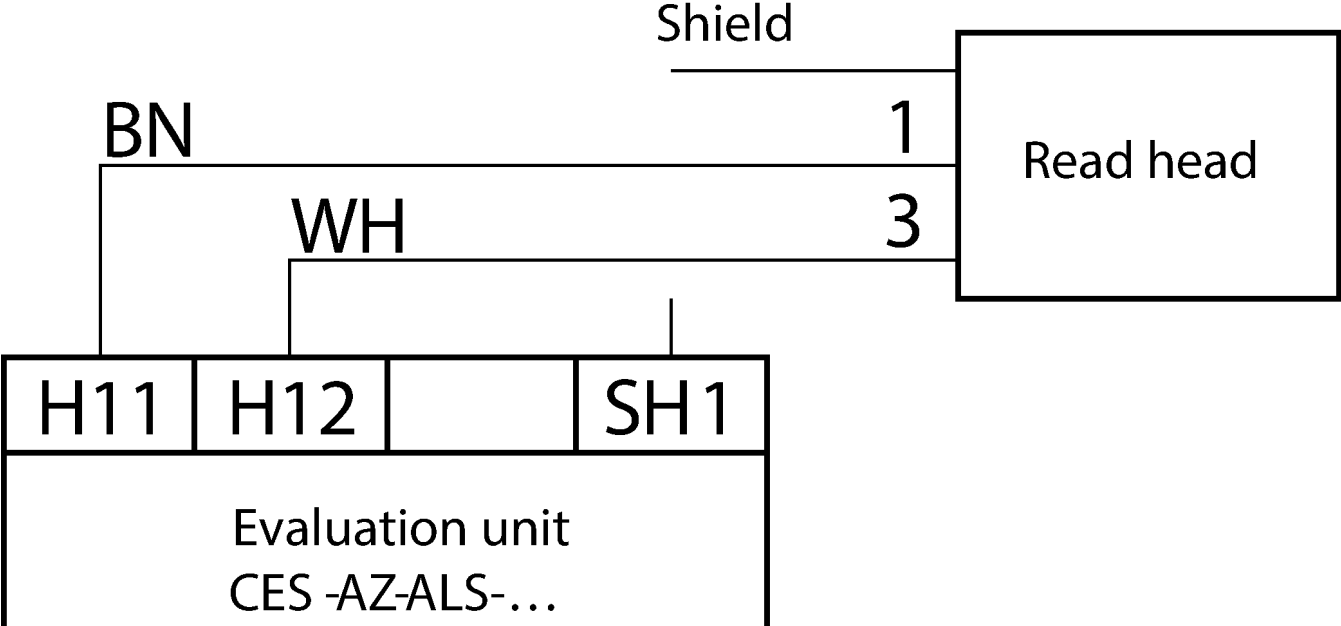
For a side approach direction for the actuator and read head, a minimum distance of  $s = 6 \text{ mm}$  must be maintained so that the actuating range of the side lobes is not entered.

**Dimensional drawings**



- 1 Active face
- 2 LED

Connection examples





## Downloads

All documentation for this material can be found on our website:

<https://www.euchner.de/en-us/a/113294/?#downloads-tab>

**Ordering data**

Ordernumber	113294
Item designation	CES-A-LNN-10V-113294
Gross weight	0,352kg
Customs tariff number	85389099990
ECLASS	27-27-24-03 Safety-related transponder switch

## Accessories

### Actuator

#### Actuator CES-A-BBN



**106600**  
CES-A-BBN-106600

- ▶ Cube-shaped design 42 x 25 mm
- ▶ Mounting compatible with actuator CES-A-BBA/BCA

#### Actuator CES-A-BDN-06



**104730**  
CES-A-BDN-06-104730

- ▶ Cylindrical design,  $\varnothing$  6x26 mm
- ▶ Transponder coded, high coding level

### Mounting accessories

#### Safety screws M4 x 14

**071863**  
M4X14-NIRO/V20

- ▶ Safety screws M4 x 14
- ▶ Packaging unit 20 pieces