

## CKS-A-L1B-SC-113130 (Order no. 113130)

### Key adapter CKS

- ▶ Key adapter with integrated CES read head
- ▶ Simple connection via plug connector M8
- ▶ Front cover: red
- ▶ High degree of protection IP67
- ▶ LED indicator



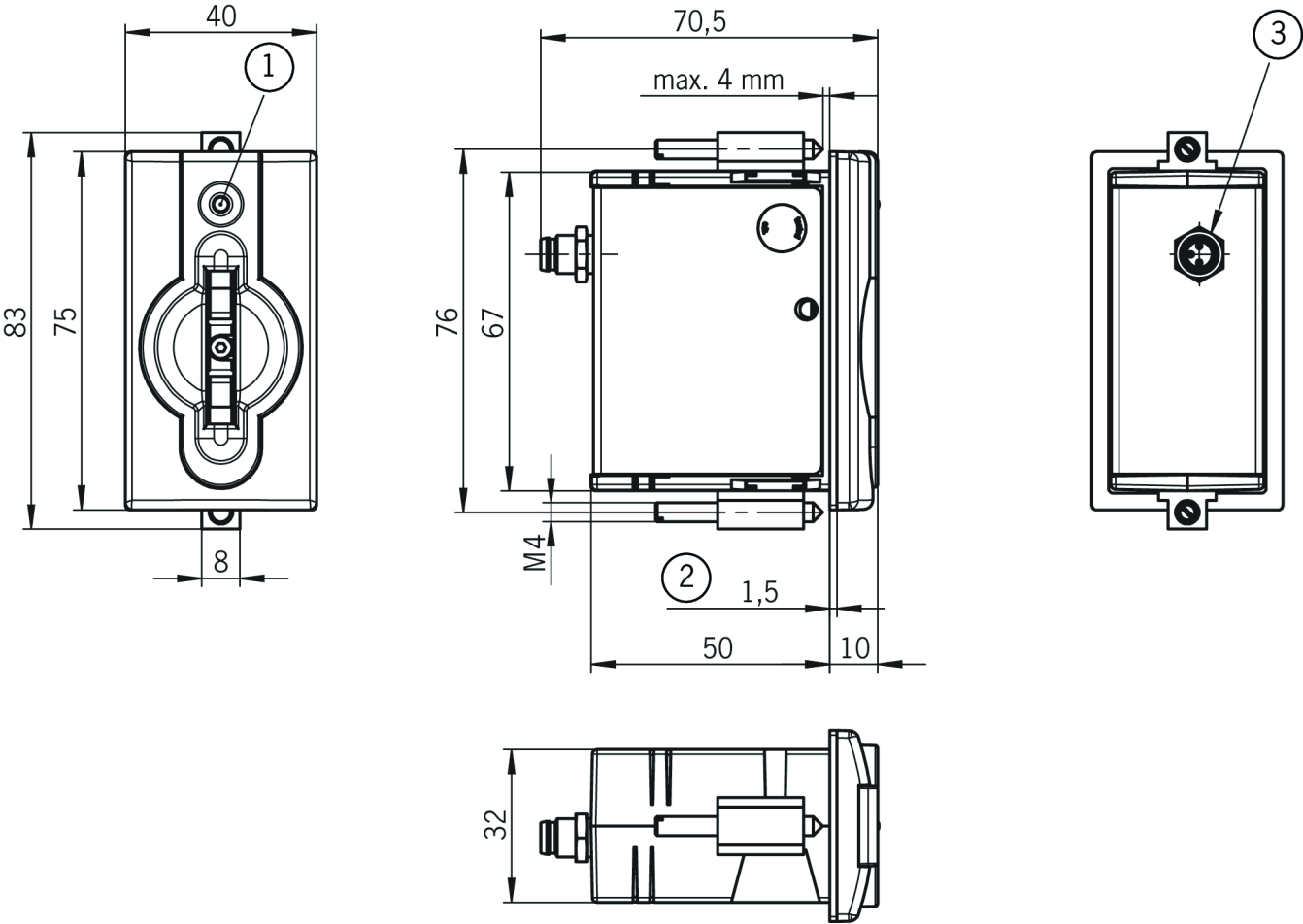
### Combination options

Suitable for connection to a CES-AZ-.ES evaluation unit or CES-FD field device

**Important!:** The Electronic-Key adapter CKS must not be used as a lockout bar in combination with a multicode evaluation unit.

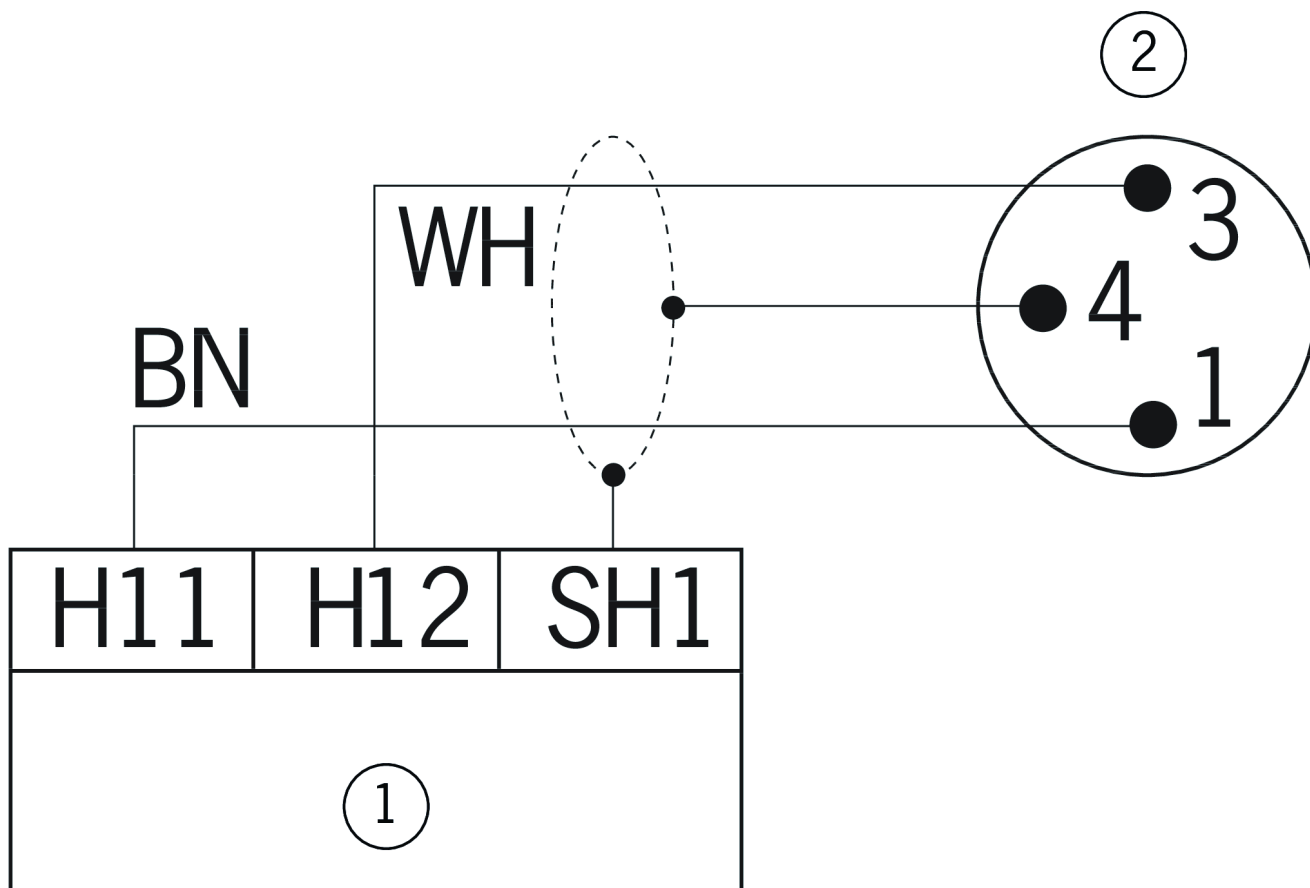
**Important:** Keys must be ordered separately!

**Dimensional drawings**



- 1 LED
- 2 Rubber seal
- 3 Plug connector M8

## Connection examples



1 Evaluation unit CES-AZ-.ES or CES-FD

2 View of plug connector M8 for key adapter



Degree of protection

in mounted condition (only access side) IP65/IP67  
(when installed)

Ambient temperature -20 ... +70 °C

Material

Housing PA6-GF30

Method of operation inductive

## Downloads

All documentation for this material can be found on our website:

<https://www.euchner.de/en-us/a/113130/?#downloads-tab>

**Ordering data**

Ordernumber	113130
Item designation	CKS-A-L1B-SC-113130
Gross weight	0,174kg
Customs tariff number	85389099990
ECLASS	27-27-24-03 Safety-related transponder switch

## Accessories

### Actuator

#### Key CKS, color black



**157843**

CKS-A-BK1-BK-157843

- ▶ Key CKS, color black

#### Key CKS, color red



**113461**

CKS-A-BK1-RD-113461

- ▶ Key CKS, color red



**174172**

CKS-A-BK1-RD-174172

- ▶ Key CKS, color red
- ▶ Neutral printing; without EUCHNER logo

#### Key CKS, color: blue



**165637**

CKS-A-BK1-BU-165637

- ▶ Key CKS, color: blue

#### Key CKS, color: yellow



**165971**

CKS-A-BK1-YE-165971

- ▶ Key CKS, color: yellow

## Connection material

### Connecting cable with angled plug connector M8, 3-pin, 10m



**084701**

C-M08F03-02X025PV10,0-ES-084701

- ▶ M8 female plug, 3-pin
- ▶ Angled plug connector
- ▶ Cable exit C (left)
- ▶ PVC cable
- ▶ Cable length 10 m
- ▶ With flying lead



**098590**

C-M08F03-02X025PU10,0-ES-098590

- ▶ M8 female plug, 3-pin
- ▶ Angled plug connector
- ▶ Cable exit C (left)
- ▶ PUR cable
- ▶ Cable length 10 m
- ▶ With flying lead

## Connecting cable with angled plug connector M8, 3-pin, 25m



**099998**

C-M08F03-02X025PV25,0-ES-099998

- ▶ M8 female plug, 3-pin
- ▶ Angled plug connector
- ▶ Cable exit C (left)
- ▶ PVC cable
- ▶ Cable length 25 m
- ▶ With flying lead



**120280**

C-M08F03-02X025PU25,0-ES-120280

- ▶ M8 female plug, 3-pin
- ▶ Angled plug connector
- ▶ Cable exit C (left)
- ▶ PUR cable
- ▶ Cable length 25 m
- ▶ With flying lead

## Connecting cable with plug connector M8, 3-pin, 10 m



**077767**

C-M08F03-02X025PV10,0-ES-077767

- ▶ M8 female plug, 3-pin
- ▶ Straight plug connector
- ▶ PVC cable
- ▶ Cable length 10 m
- ▶ With flying lead



**084763**

C-M08F03-02X025PU10,0-ES-084763

- ▶ M8 female plug, 3-pin
- ▶ Straight plug connector
- ▶ PUR cable
- ▶ Cable length 10 m
- ▶ With flying lead

## Connecting cable with plug connector M8, 3-pin, 15 m



**084764**

C-M08F03-02X025PU15,0-ES-084764

- ▶ M8 female plug, 3-pin
- ▶ Straight plug connector
- ▶ PUR cable
- ▶ Cable length 15 m
- ▶ With flying lead

## Connecting cable with plug connector M8, 3-pin, 20 m



**077716**

C-M08F03-02X025PV20,0-ES-077716

- ▶ M8 female plug, 3-pin
- ▶ Straight plug connector
- ▶ PVC cable
- ▶ Cable length 20 m
- ▶ With flying lead



**084765**

C-M08F03-02X025PU20,0-ES-084765

- ▶ M8 female plug, 3-pin
- ▶ Straight plug connector
- ▶ PUR cable
- ▶ Cable length 20 m
- ▶ With flying lead

## Connecting cable with plug connector M8, 3-pin, 25 m



**077717**

C-M08F03-02X025PV25,0-ES-077717

- ▶ M8 female plug, 3-pin
- ▶ Straight plug connector
- ▶ PVC cable
- ▶ Cable length 25 m
- ▶ With flying lead



**084766**

C-M08F03-02X025PU25,0-ES-084766

- ▶ M8 female plug, 3-pin
- ▶ Straight plug connector
- ▶ PUR cable
- ▶ Cable length 25 m
- ▶ With flying lead

## Connecting cable with plug connector M8, 3-pin, 3 m



**077935**

C-M08F03-02X025PV03,0-ES-077935

- ▶ M8 female plug, 3-pin
- ▶ Straight plug connector
- ▶ PVC cable
- ▶ Cable length 3 m
- ▶ With flying lead

## Connecting cable with plug connector M8, 3-pin, 5 m



**077793**

C-M08F03-02X025PV05,0-ES-077793

- ▶ M8 female plug, 3-pin
- ▶ Straight plug connector
- ▶ PVC cable
- ▶ Cable length 5 m
- ▶ With flying lead



**084762**

C-M08F03-02X025PU05,0-ES-084762

- ▶ M8 female plug, 3-pin
- ▶ Straight plug connector
- ▶ PUR cable
- ▶ Cable length 5 m
- ▶ With flying lead

## Miscellaneous

### Color cover set for CKS key adapter (black, blue, yellow)



**165413**

AY-SET-CVR-165413

- ▶ Color covers for CKS key adapter
- ▶ Packaging unit with black, blue and yellow covers
- ▶ Color covers can be replaced on the CKS on location