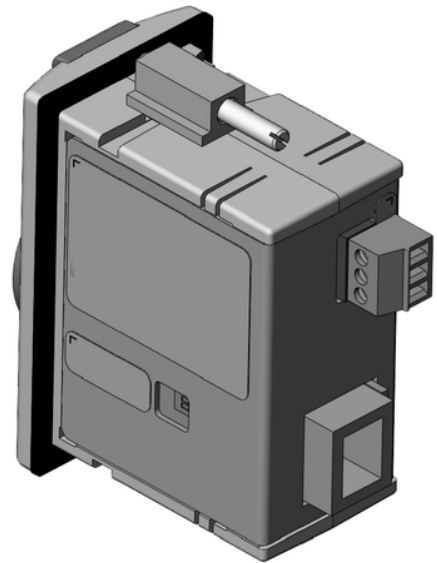


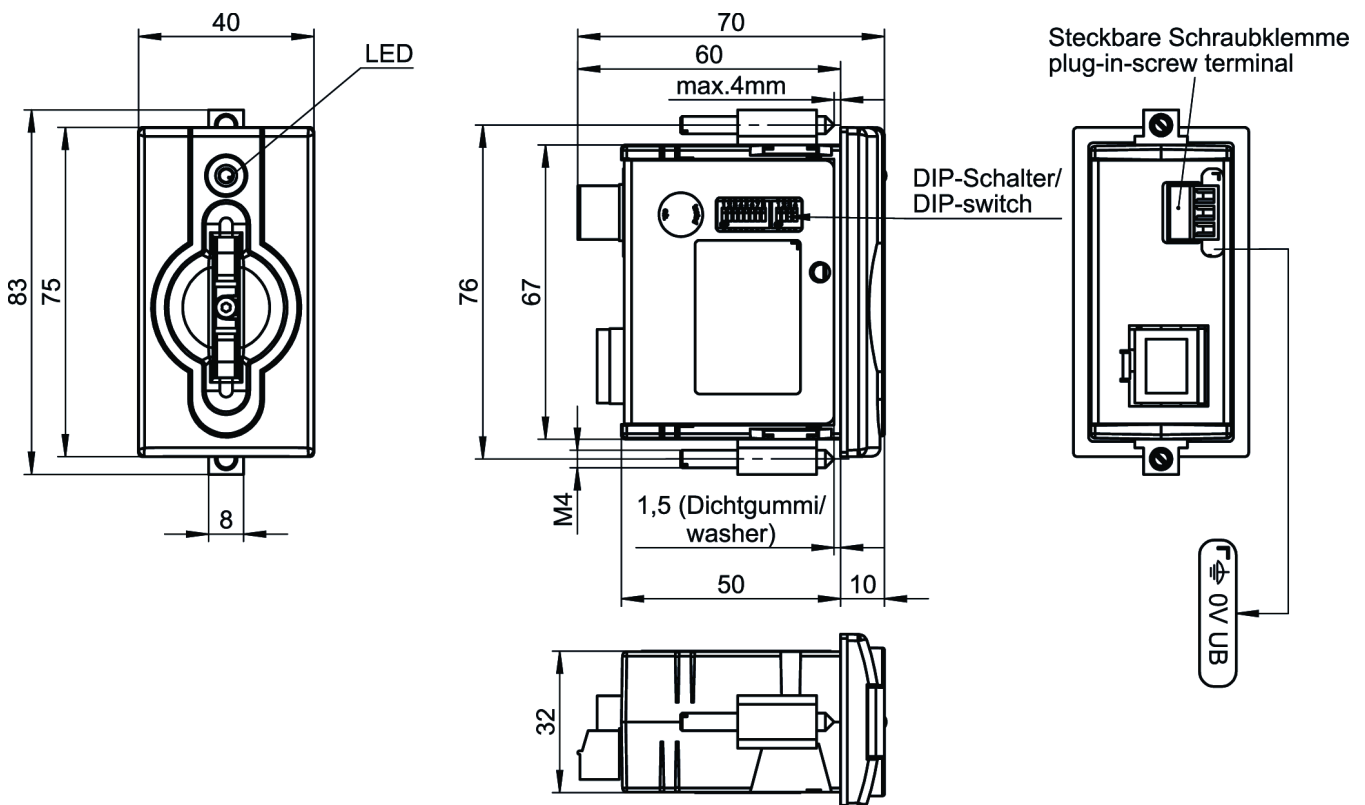
EKS-A-IIX-G01-ST02/03 (Order no. 106305)

Electronic-Key adapter with PROFINET interface

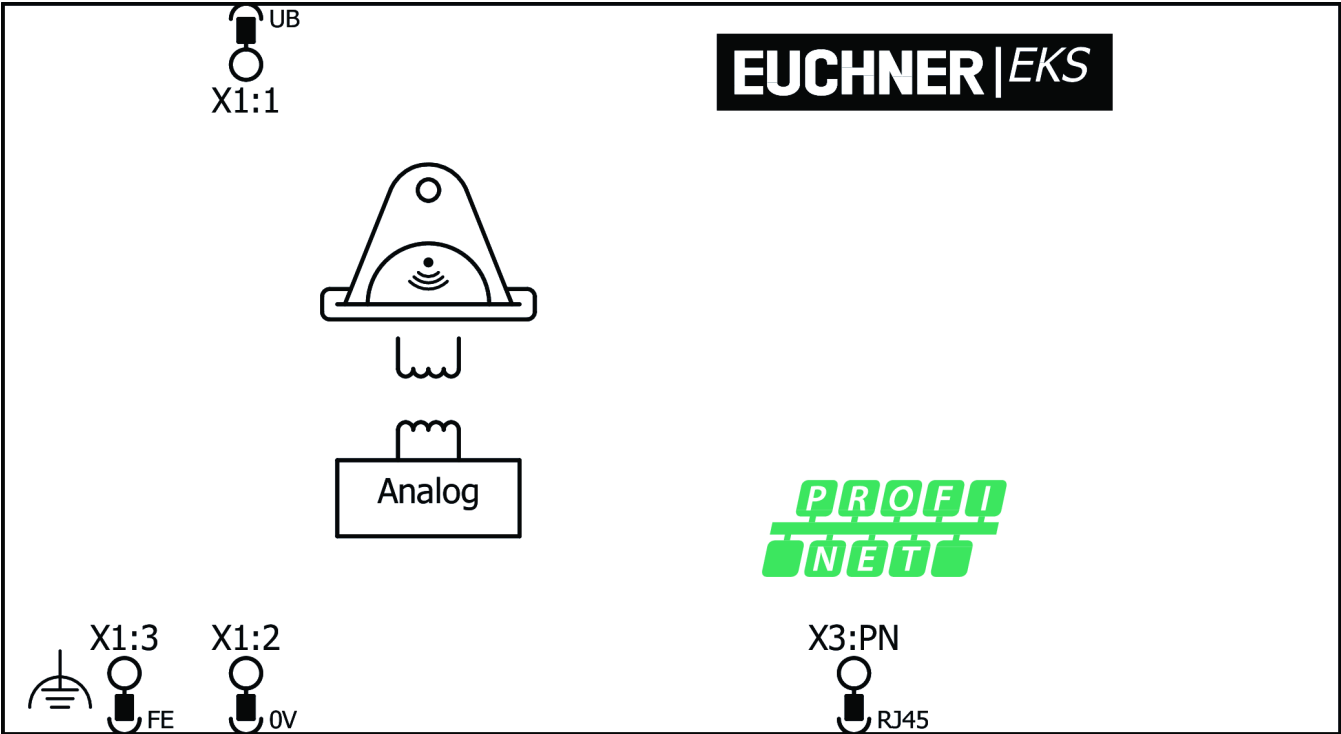
- ▶ Electronic-Key adapter with PROFINET IO interface in housing G01
- ▶ Read/write system
- ▶ Remote mounting
- ▶ Electronic-Key adapter and electronics in one housing
- ▶ Transfers the data from the Electronic-Key to a control system for processing
- ▶ Connection to PLC
- ▶ PROFINET protocol, cyclic data transfer to control system
- ▶ Interfacing via GSDML file
- ▶ Various options for address assignment, also using DIP switches
- ▶ Very reliable retention of the Electronic-Key, even if there is heavy vibration
- ▶ Degree of protection: IP65/IP67 (installed)
- ▶ LED indicator



Dimensional drawings



Connection examples



Technical data

Approvals



Operating and display elements

LED display

red	Error
yellow	Key in actuating range
green	operational

Electrical connection values

Power supply	
Operating voltage DC	20 ... 24 ... 28 V DC
Current consumption	max. 150 mA
PROFINET interface	
Connecting cable	min. 2x2 twisted pair copper cable shielded, min. cat. 5

Mechanical values and environment

Installation orientation	on the front
Mounting cut-out	33 x 68 mm
Degree of protection	
in mounted condition (only access side)	IP67
Ambient temperature	0 ... 55 °C
Material	
Housing	PA6-GF30, gray
PROFINET interface	
Connection type	
	star topology wiring
	RJ-45 socket

Interface

PROFINET interface	
Data protocol	PROFINET
Data rate	10/100 Mbit/s
Date interface	Ethernet (IEEE 802.3)

Downloads

All documentation for this material can be found on our website:

<https://www.euchner.de/en-us/a/106305/?#downloads-tab>

Ordering data

Ordernumber	106305
Item designation	EKS-A-IIX-G01-ST02/03
Gross weight	0,194kg
Global Trade Item Number (GTIN)	4047048007208
Customs tariff number	85365019000
ECLASS	27-39-90-90 Property, access monitor (other, unspecified)

Accessories

EKS Data Service

EKS Data Service (optional software expansion)



8163316

SW EKS DATA SERVICE

- ▶ Central software for providing access rights and access data from the PC into the PLC environment
- ▶ Simple online disabling of Electronic-Keys
- ▶ Central assignment or modification of access rights
- ▶ Emergency strategy in case of network fault
- ▶ Access event recording in server PC
- ▶ NOTICE: This can be used only in combination with the single-user or full version of our Electronic-Key-Manager EKM

Electronic-Key

Electronic-Key read/write



077859

EKS-A-K1RDWT32-EU

- ▶ Memory 116 bytes E²PROM (programmable) plus 8 bytes ROM (serial number)



084735

EKS-A-K1BKWT32-EU

- ▶ Memory 116 bytes E²PROM (programmable) plus 8 bytes ROM (serial number)



091045

EKS-A-K1BUWT32-EU

- ▶ Memory 116 bytes E²PROM (programmable) plus 8 bytes ROM (serial number)



094839

EKS-A-K1GNWT32-EU

- ▶ Memory 116 bytes E²PROM (programmable) plus 8 bytes ROM (serial number)



094840

EKS-A-K1YEWT32-EU

- ▶ Memory 116 bytes E²PROM (programmable) plus 8 bytes ROM (serial number)



123097

EKS-A-K1WHWT32-EU

- ▶ Memory 116 bytes E²PROM (programmable) plus 8 bytes ROM (serial number)



123098

EKS-A-K1OGWT32-EU

- ▶ Memory 116 bytes E²PROM (programmable) plus 8 bytes ROM (serial number)