

BETAETIGER-S-GT-SN (Order no. 095738)

Actuator S for safety switch SGA/SGP/STA/STP/STM

- ▶ Two safety screws included
- ▶ Actuator with rubber bush



Notice

S-...-SN actuators must not be used in conjunction with insertion funnels. S-...-LN actuators must be used for insertion funnels.

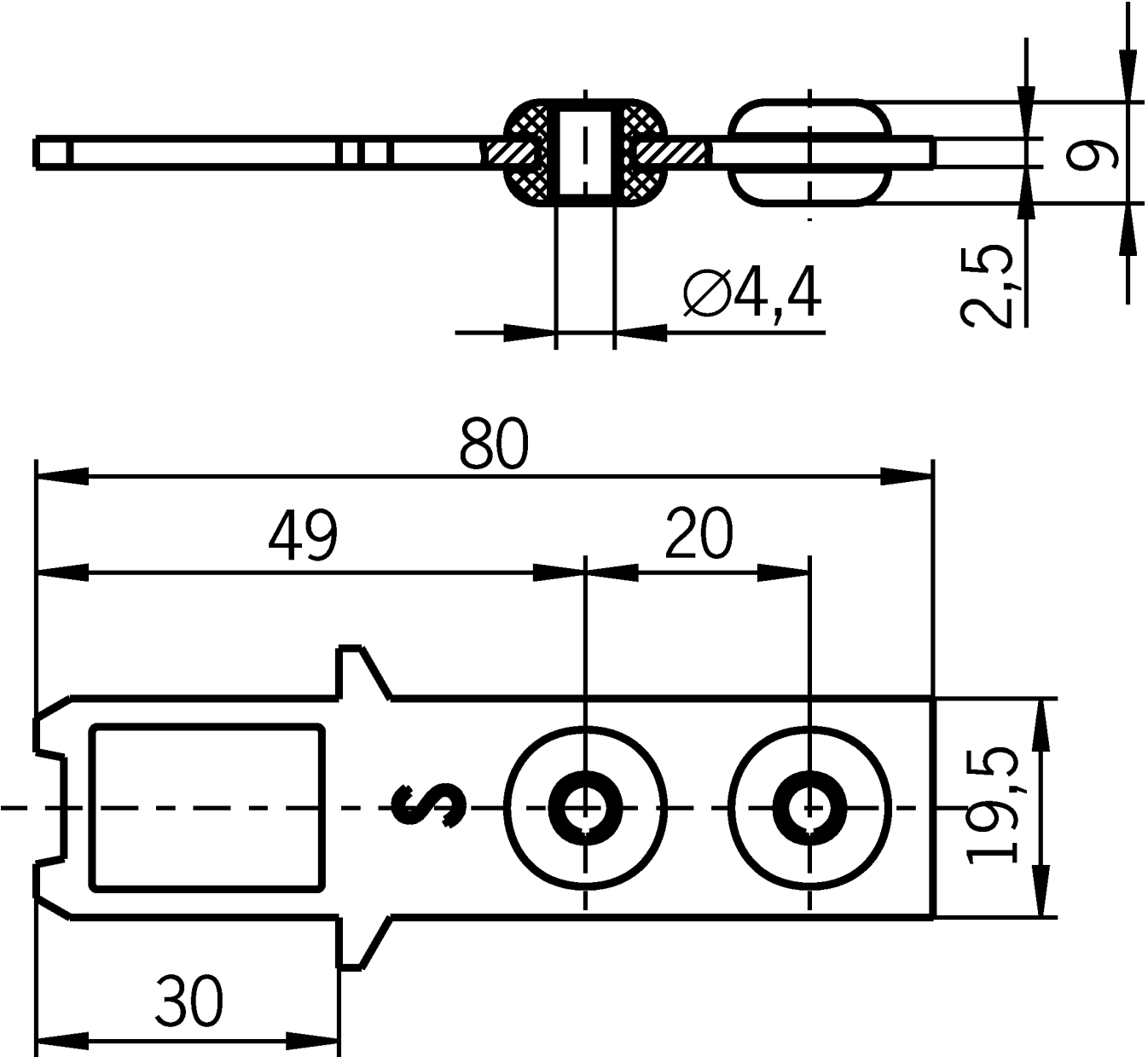
Straight actuator

Suitable for a maximum tensile force of 3000 N. The straight actuator is used on sliding doors or hinged doors with door radii greater than 300 mm. Safety screws prevent unscrewing of the actuators.

Screws made of stainless steel

The safety screws included can be inserted with a normal tool, but cannot be removed again.

Dimensional drawings



Technical data

Approvals



Mechanical values and environment

Storage temperature	-25 ... 70 °C
---------------------	---------------

Overtravel	max. 5 mm
------------	-----------

Door radius	min. 300 mm
-------------	-------------

Material

Actuator	Stainless steel
----------	-----------------

Rubber bush	NBR
-------------	-----

Screw	Stainless steel
-------	-----------------

Miscellaneous

Usability of insertion funnel	No
-------------------------------	----

Downloads

All documentation for this material can be found on our website:

<https://www.euchner.de/en-us/a/095738/?#downloads-tab>

Ordering data

Ordernumber	095738
Item designation	BETAETIGER-S-GT-SN
Gross weight	0,03kg
Customs tariff number	85389099990
ECLASS	27-27-26-06 Actuator for safety-related position switch

Accessories

Mounting accessories

Safety screws M4 x 14

074063

M4X14-NIRO/V100

- ▶ Safety screws M4 x 14
- ▶ Screw head diameter: 10 mm
- ▶ Packaging unit 100 pieces