

RPS2131SC175M (Order no. 094431)

Rope pull switch with pull-to-reset button for EMERGENCY STOP device, clamping head

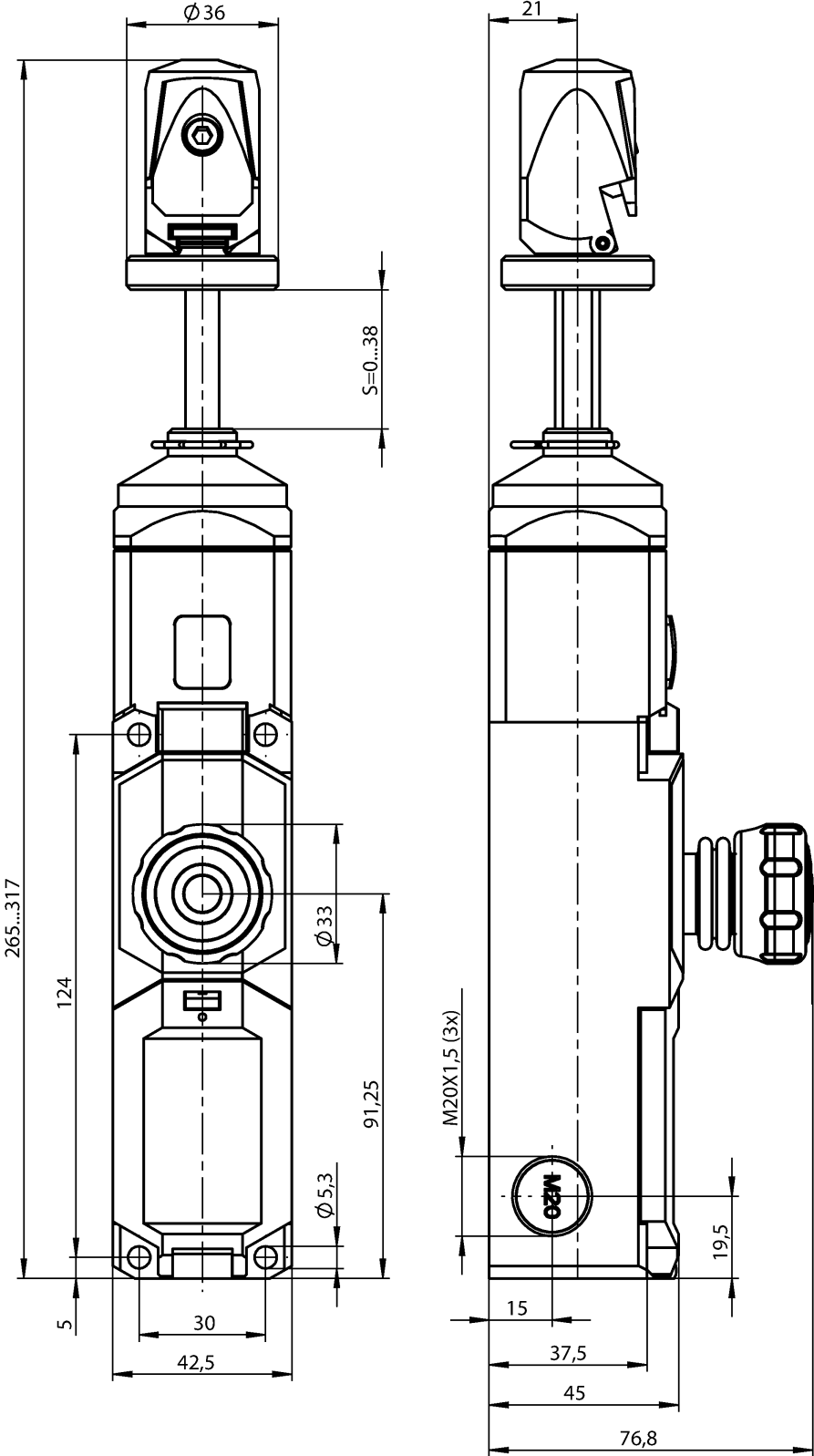
- ▶ Plastic housing
- ▶ Emergency stop device with detent mechanism as per EN ISO 13850 and EN 60947-5-5
- ▶ Clamping head for pull wire
- ▶ Indication of correct rope tension
- ▶ 3 cable entries M20 x 1.5
- ▶ Switching elements with 4 switching contacts
- ▶ Emergency stop



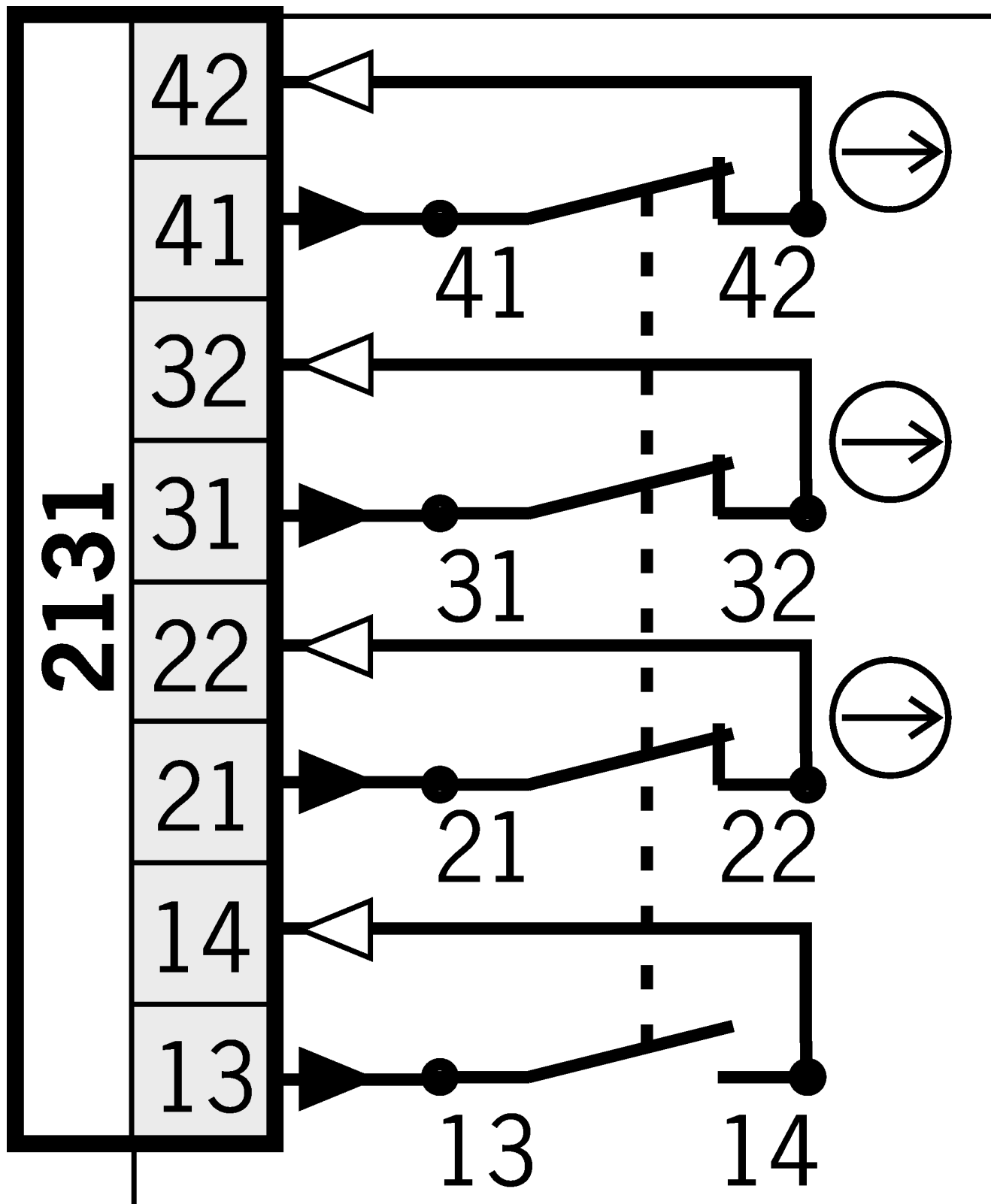
Switching element

2131 Slow-action switching contact 3 NC \rightarrow + 1 NO

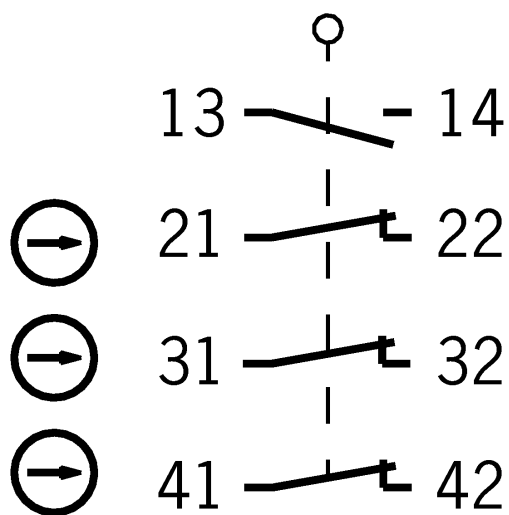
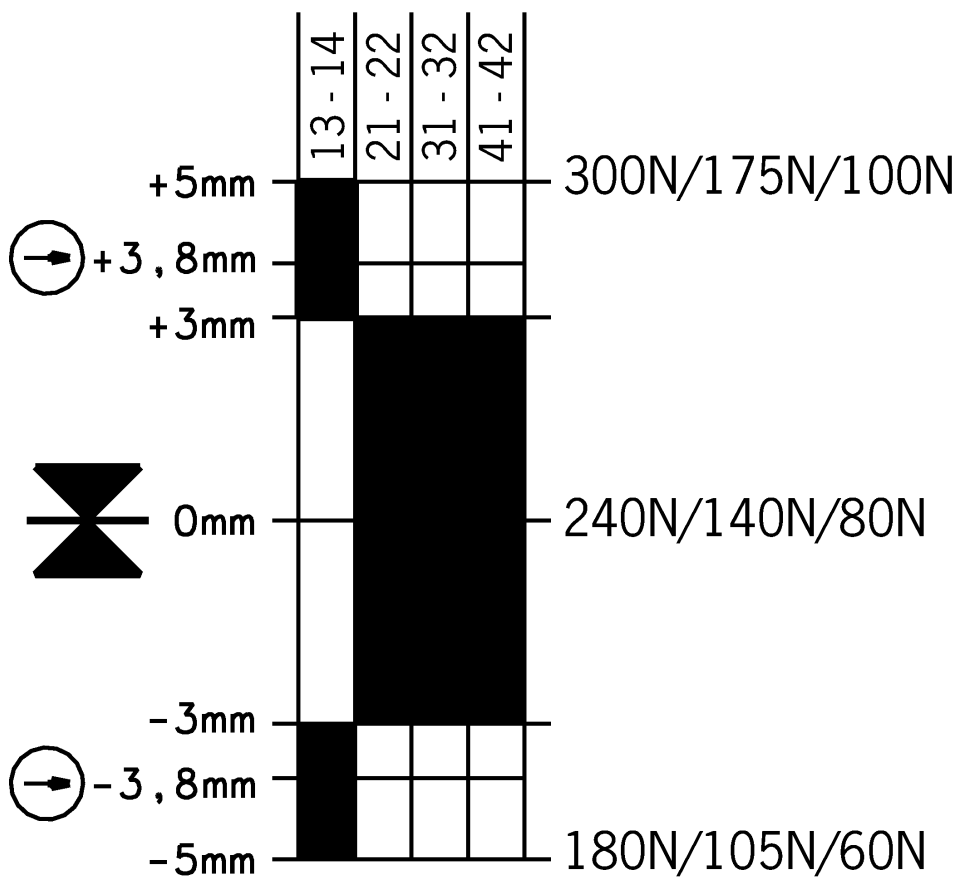
Dimensional drawings



Connection examples



Shift travel diagrams



Technical data

Approvals



Electrical connection values

Fuse	max. 6 A gG
Connection cross section	0.08 ... 1.5 mm ²
Rated insulation voltage U _i	250 V
Rated impulse voltage U _{imp}	2.5 kV
Utilization category	AC-15 3 A 240 V
Switching current	at 24V min. 10 mA
Safety class	II
thermal rated current I _{th}	10 A

Mechanical values and environment

Connection type	3 x M20 x 1.5
Number of NO contacts	1
Number of positively driven contacts	3
Actuating force	175 N
Installation orientation	any
Storage temperature	-25 ... 70 °C
Mechanical life	0.1 x 10 ⁶
Switching principle	Slow-action switching contact
Degree of protection	IP67
Rope diameter	2 ... 5 mm
Ambient temperature	-25 ... 70 °C

Material

Housing Reinforced thermoplastic

Characteristic values according to EN ISO 13849-1 and EN IEC 62061

	B10 _D	Mission time
Emergency stop	0.1x10 ⁶	20 y

Miscellaneous

Additional feature

Emergency stop function

Downloads

All documentation for this material can be found on our website:

<https://www.euchner.de/en-us/a/094431/?#downloads-tab>

Ordering data

Ordernumber	094431
Item designation	RPS2131SC175M
Gross weight	0,746kg
Customs tariff number	85365019000
ECLASS	27-37-12-01 Emergency stop pull cord switch

Accessories

Connection material

Cable glands M20x1.5, cable Ø 6–12 mm



086233
EKPM20/06 086233

Cable glands M20x1.5, cable Ø 6.5–9.5 mm



077683
EKVM20/06

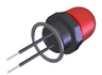
Cable glands M20x1.5, cable Ø 9–13 mm



077684
EKVM20/09

Function expansion

Built-in LED, light shines to front



095510
EINBAULEUCHTE LED-F M20X1,5



171343 ▶ Color: transparent
AY-LED-024-GR/RD-T-171343



171344 ▶ Color: milky
AY-LED-024-GR/RD-M-171344

Built-in LED, light shines to side



087423
EINBAULEUCHTE LED M20X1,5

Mounting accessories

Eyebolt for rope pull switches



092495 ▶ Eyebolt with thread M8
RPS-O-8-50/V5

Pulley set RPS-P/V1 for rope pull switches



096251
RPS-P-7-70

▶ Rope pulley block Ø 14 mm

Pulley set RPS-PS/V5 for rope pull switches



092501
RPS-PS/V5

▶ Pulley set consisting of rope pulley block and pulley support

Rope set for rope pull switches



092496
RPS-RS/V5

▶ Rope set consisting of thimble and rope clamp

Tensioner spring for rope pull switches



092136
RPS-W-100/175

▶ Tensioner spring for tensile force 110 N / 175 N

Tensioning rope for rope pull switches



092813
RPS-I-3-4/50M

▶ Tensioning rope with 50m length



092814
RPS-I-3-4/100M

▶ Tensioning rope with 100m length

Turnbuckle for rope pull switches



092498
RPS-B-6-60/V5

▶ Turnbuckle M6 x 60



092500
RPS-B-6-110

▶ Turnbuckle M6 x 100