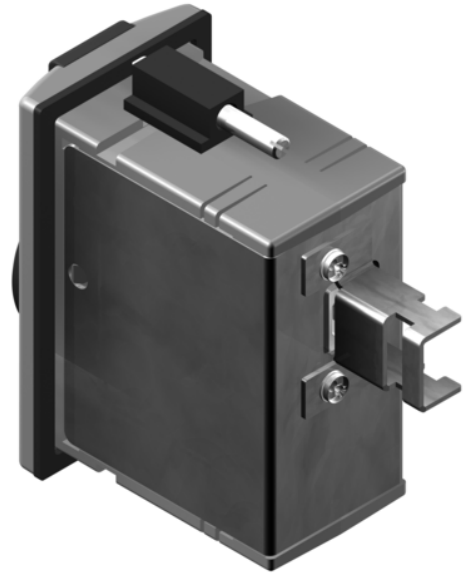


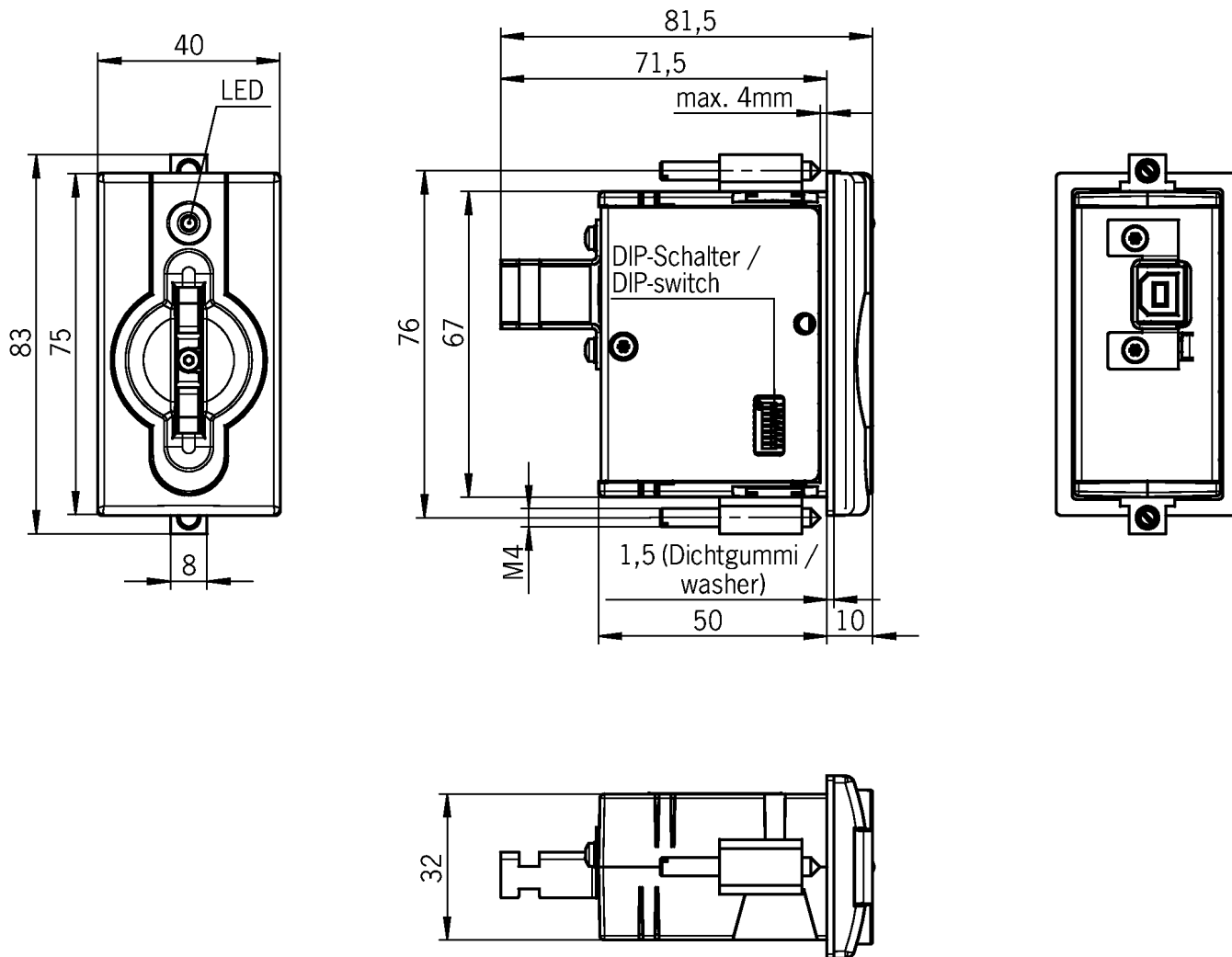
EKS-A-IUX-G01-ST01 (Order no. 092750)

Electronic-Key adapter with USB interface

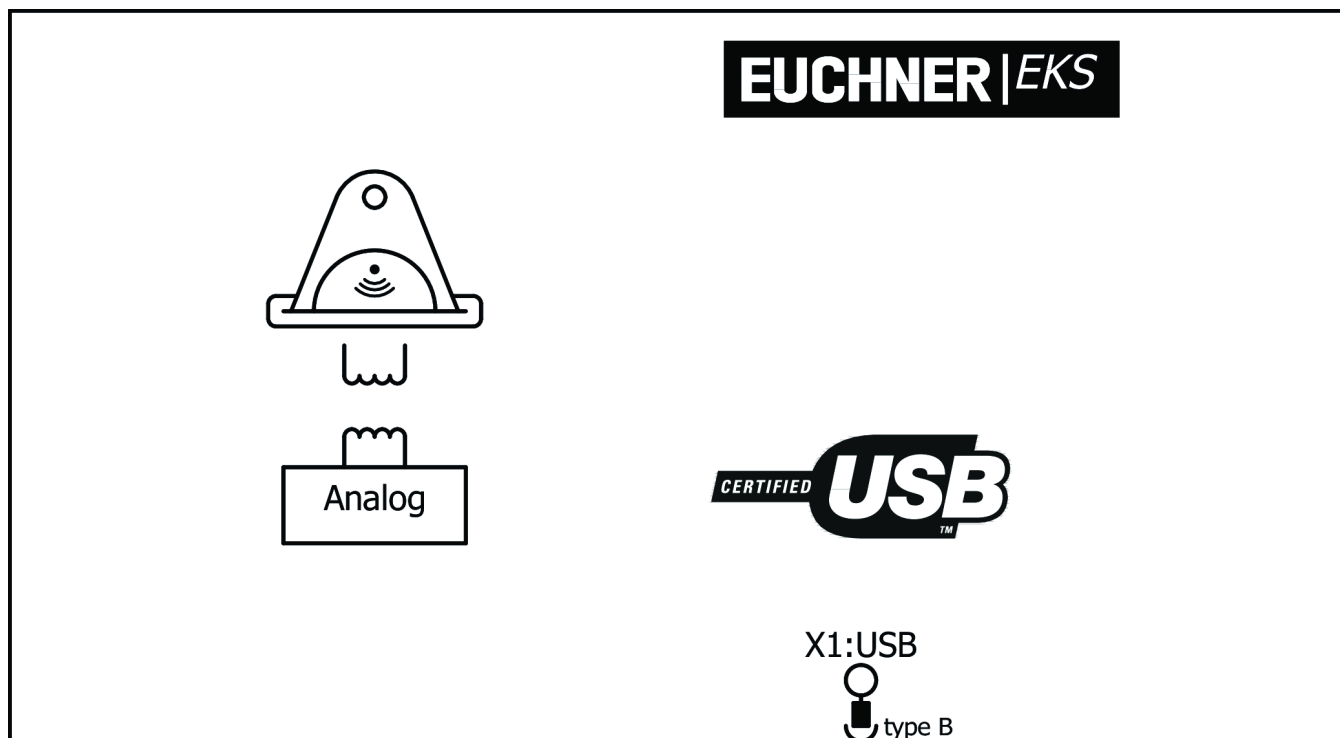
- ▶ Electronic-Key adapter with USB interface in housing G01
- ▶ Read/write system
- ▶ Power supply via USB interface
- ▶ Type B socket connection
- ▶ Electronic-Key adapter and electronics in one housing
- ▶ Transfers the data from the Electronic-Key to a control system for processing
- ▶ Connection to PC
- ▶ Virtual serial COM port
- ▶ Open communication commands at the lowest level
- ▶ 3964R protocol
- ▶ Connection to the user software possible via ActiveX® module under Windows®
- ▶ Very reliable retention of the Electronic-Key, even if there is heavy vibration
- ▶ Especially recommended for setting up a programming station on a PC
- ▶ Degree of protection: IP65/IP67 (installed)
- ▶ LED indicator



Dimensional drawings



Connection examples



Technical data

Approvals



Operating and display elements

LED display

- yellow Key in the actuating range
- green operational

Electrical connection values

Power supply	via USB
Current consumption	I_B max. 100 mA

Mechanical values and environment

Installation orientation	on the front
Mounting cut-out	33 x 68 mm
Degree of protection	
in mounted condition (only access side)	IP65/IP67
Ambient temperature	0 ... 55 °C
Material	
Housing	Plastic (PA6 GF30, gray)

USB interface

Connection type	USB type B socket
Cable length	max. 3 m USB

Interface

	USB interface
Data protocol	3964R via USB
Data rate	9.6 ... 28.8 kbit/s

Interface

to PC USB Full Speed (compatible with all USB versions)

Downloads

All documentation for this material can be found on our website:

<https://www.euchner.de/en-us/a/092750/?#downloads-tab>

Ordering data

Ordernumber	092750
Item designation	EKS-A-IUX-G01-ST01
Gross weight	0,179kg
Global Trade Item Number (GTIN)	4047048007154
Customs tariff number	85364900
ECLASS	27-39-90-90 Property, access monitor (other, unspecified)

Accessories

.NET

.NET 3964R library

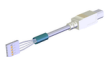


8000140
SW .NET 3964R LIBRARY

- ▶ Protocol driver software for integrating the EKS Electronic-Key adapters with serial or USB interface as well as the identification systems CIS with a serial interface into a PC application

Connection material

Connecting cable with USB type B to female plug, 5-pin



095633
EKS USB – PC INTERN

- ▶ USB 2.0 cable type B to tab connector, 4-core
- ▶ Straight plug connector
- ▶ Cable length 0.8 m
- ▶ double-screened cable

EKM

Electronic Key Manager EKM Light version



111410
ANWPG ELECTRONIC KEY MANAGER LIGHT

- ▶ Software for setting key parameters
- ▶ Only local EKM client, no network support
- ▶ No access to key database and no key database export/import

Electronic Key Manager EKM full version



093322
ANWPG ELECTRONIC KEY MANAGER

- ▶ Software for key management
- ▶ Client/server architecture, full network support
- ▶ Access to key database and key database export/import in csv format
- ▶ Forms and databases prepared using the demo version, light version or single-user version can continue to be used with the full version
- ▶ Including EKM ActiveX® module for connecting the EKM database to any user program with ActiveX® support (e.g. for visualization)
- ▶ Including manual for EKM ActiveX® module – order no. 093650 on CD
- ▶ Includes additional documentation EKM (CRC definition) – order no. 093653 on CD

Electronic Key Manager EKM single-user version



098578
ANWPG ELECTRONIC KEY MANAGER EINZEL

- ▶ Software for key management
- ▶ Only local EKM client, no network support
- ▶ Access to key database and key database export/import in csv format
- ▶ Forms and databases prepared using the demo version or light version can continue to be used with the full version
- ▶ Includes additional documentation EKM (CRC definition) – order no. 093653 on CD

EKS

ActiveX® module – serial communication



8098708

SW EKS ACTIVEX-MODULE SERIAL 3964R

- ▶ Protocol driver software for integrating the EKS Electronic-Key adapters with serial or USB interface into a PC application in Windows

Electronic-Key

Electronic-Key read/write



077859

EKS-A-K1RDWT32-EU

- ▶ Memory 116 bytes E²PROM (programmable) plus 8 bytes ROM (serial number)



084735

EKS-A-K1BKWT32-EU

- ▶ Memory 116 bytes E²PROM (programmable) plus 8 bytes ROM (serial number)



091045

EKS-A-K1BUWT32-EU

- ▶ Memory 116 bytes E²PROM (programmable) plus 8 bytes ROM (serial number)



094839

EKS-A-K1GNWT32-EU

- ▶ Memory 116 bytes E²PROM (programmable) plus 8 bytes ROM (serial number)



094840

EKS-A-K1YEWT32-EU

- ▶ Memory 116 bytes E²PROM (programmable) plus 8 bytes ROM (serial number)



123097

EKS-A-K1WHWT32-EU

- ▶ Memory 116 bytes E²PROM (programmable) plus 8 bytes ROM (serial number)



123098

EKS-A-K1OGWT32-EU

- ▶ Memory 116 bytes E²PROM (programmable) plus 8 bytes ROM (serial number)

Miscellaneous

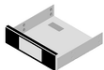
Desktop case



113106
EKS DESKTOP CASE

- ▶ Establishment of a programming station for Electronic-Key management on the desk
- ▶ EKS data entry station on desktop for which a degree of protection is not required
- ▶ Installation of the compact version of the Electronic-Key adapter (all interfaces)
- ▶ Easy installation from above in removable cover (2-piece housing, bottom open)
- ▶ Strain relief for connecting cable
- ▶ Including mounting parts (notice: screw clamp elements are included with the Electronic-Key adapter)
- ▶ ATTENTION: Figure shows desktop case including key adapter. Electronic-Key adapter not included.

PC mounting frame



093615
EKS PC-MOUNTING FRAME

- ▶ PC mounting frame for 5.25" drive bay
- ▶ For installing the EKS Electronic-Key adapter in a PC
- ▶ Front signal black matte RAL 9004
- ▶ Including 4 fixing screws
- ▶ An optional connecting cable is available for the connection from the USB Electronic-Key adapter to the internal USB connection on the motherboard

Transponder Coding software

Transponder Coding TC



8067190
SW TRANSPONDER CODING TC

- ▶ Software for reading and writing CIS data carriers or EKS Electronic-Keys

Transponder Coding TC2



8000151
SW TRANSPONDER CODING TC2

- ▶ Software for reading and writing CIS data carriers and EKS / EKS2 Electronic-Keys