

## RPS3131PR100M (Order no. 088888)

### Rope pull switch with pull-to-reset button for EMERGENCY STOP device, pull lug

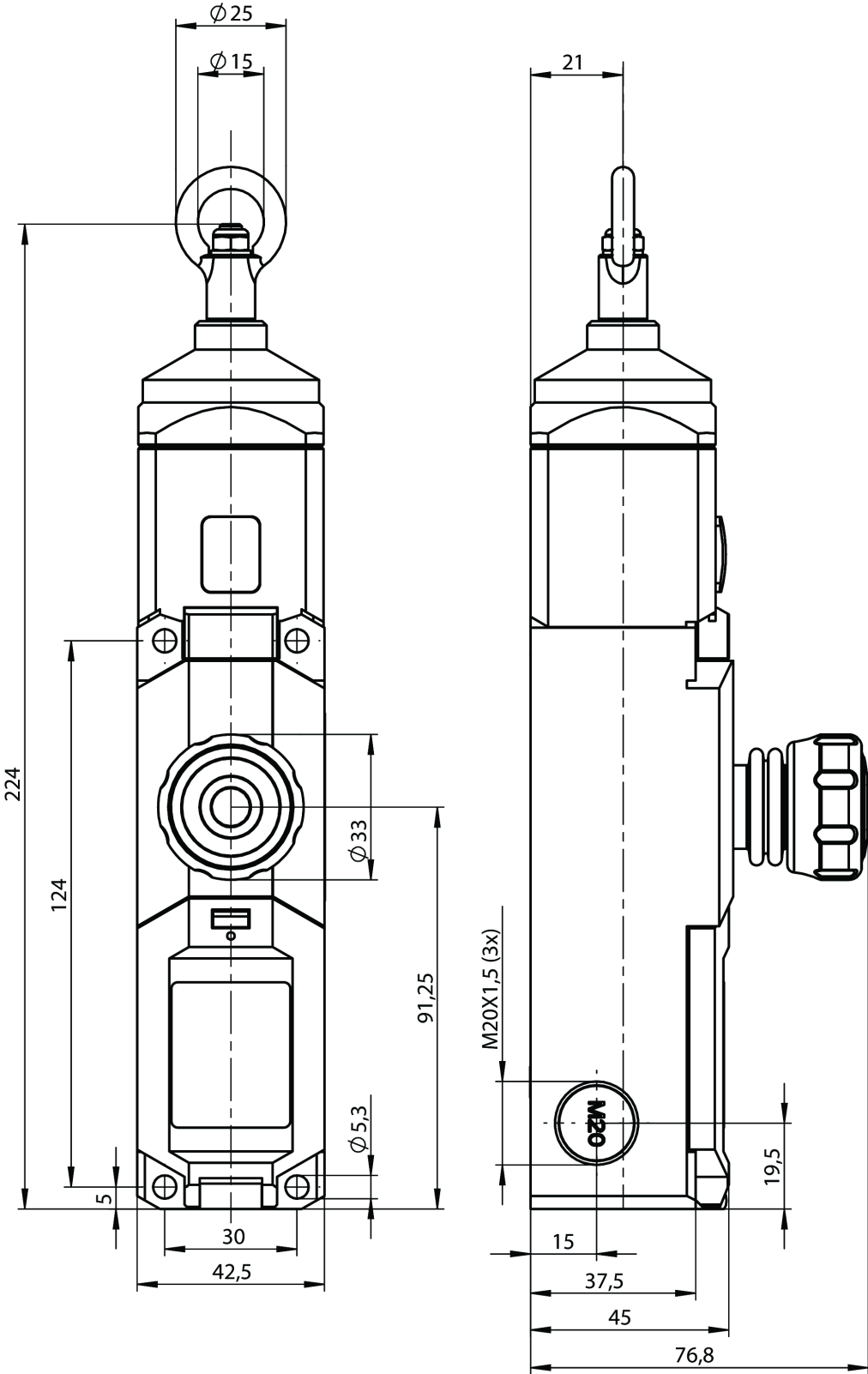
- ▶ Plastic housing
- ▶ Emergency stop device with detent mechanism as per EN ISO 13850 and EN 60947-5-5
- ▶ Rope clamp for pull wire
- ▶ Indication of correct rope tension
- ▶ 3 cable entries M20 x 1.5
- ▶ Switching elements with 4 switching contacts
- ▶ Blue reset button



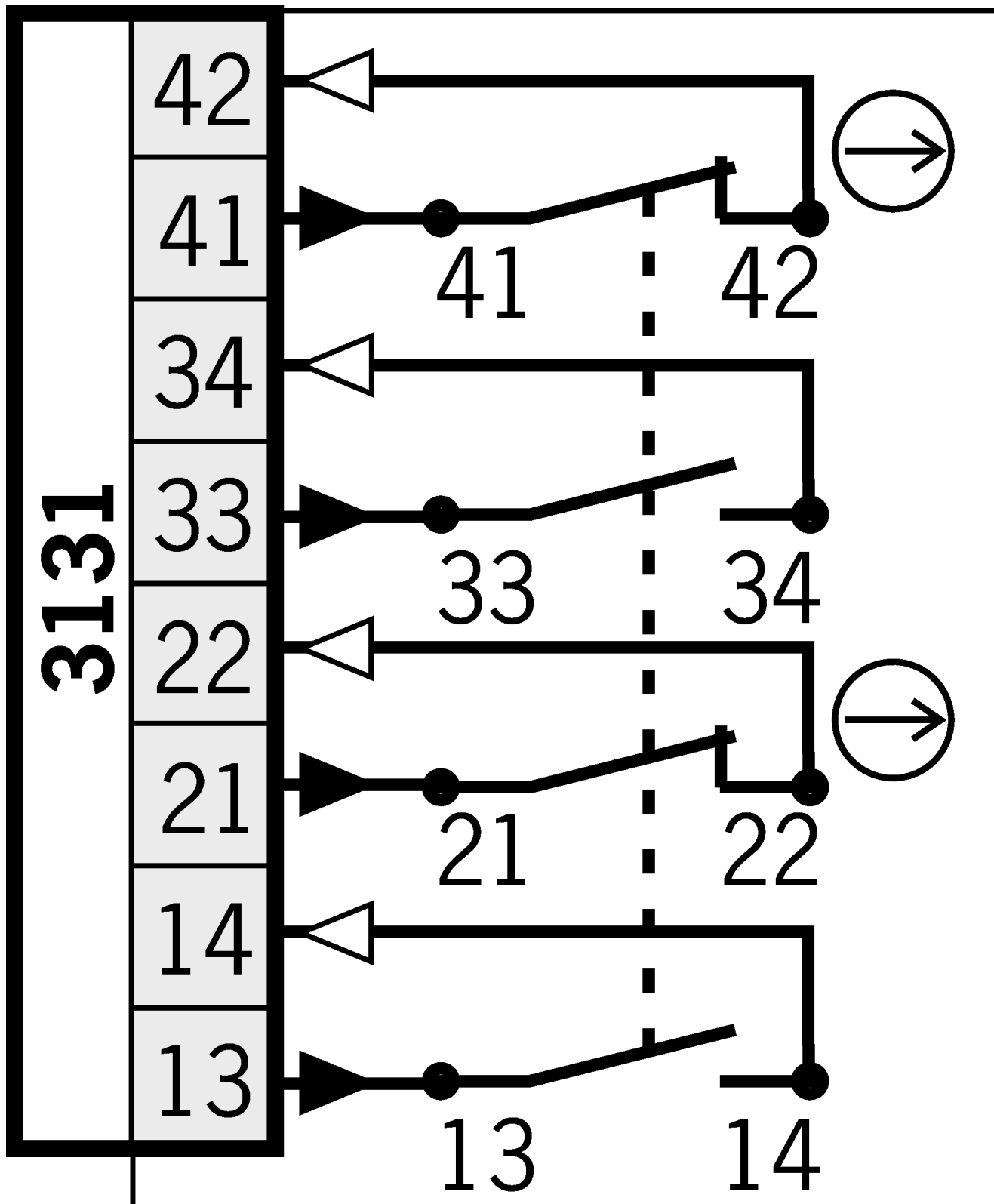
### Switching element

3131 Slow-action switching contact 2 NC  $\rightarrow$  + 2 NO

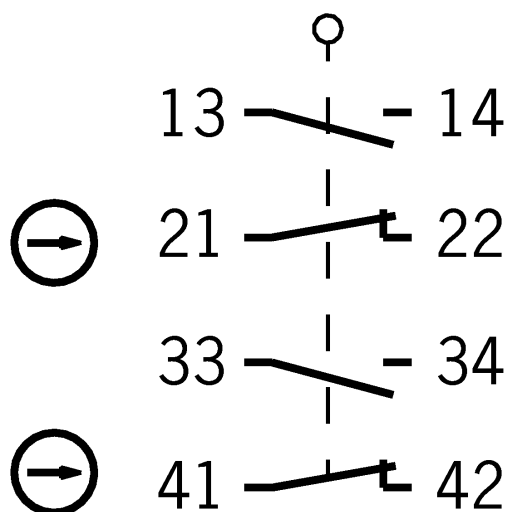
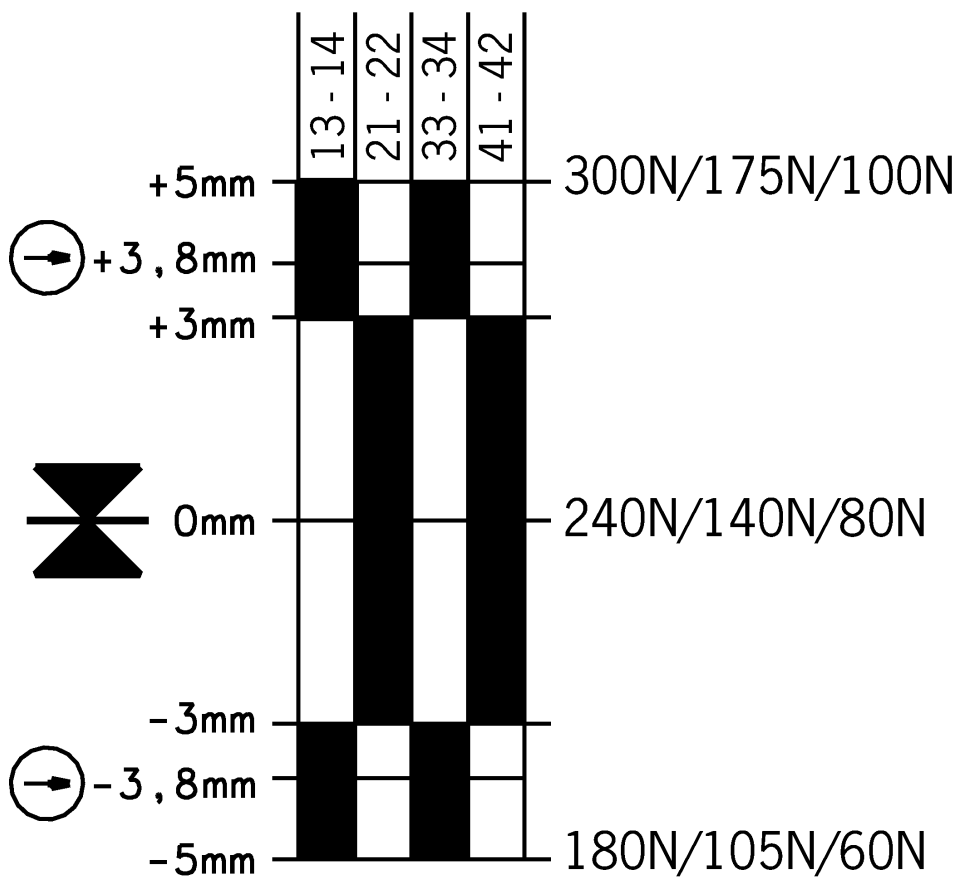
**Dimensional drawings**



Connection examples



## Shift travel diagrams



## Technical data

### Approvals



### Electrical connection values

Fuse	max. 6 A gG
Connection cross section	0.08 ... 1.5 mm <sup>2</sup>
Rated insulation voltage U <sub>i</sub>	250 V
Rated impulse voltage U <sub>imp</sub>	2.5 kV
Utilization category	AC-15 3 A 240 V
Switching current	at 24V min. 10 mA
Safety class	II
thermal rated current I <sub>th</sub>	10 A

### Mechanical values and environment

Connection type	3 x M20 x 1.5
Number of NO contacts	2
Number of positively driven contacts	2
Actuating force	100 N
Installation orientation	any
Storage temperature	-25 ... 70 °C
Mechanical life	0.1 x 10 <sup>6</sup>
Switching principle	Slow-action switching contact
Degree of protection	IP67
Rope diameter	2 ... 5 mm
Ambient temperature	-25 ... 70 °C

Material

Housing Reinforced thermoplastic

**Characteristic values according to EN ISO 13849-1 and EN IEC 62061**

	B10 <sub>D</sub>	Mission time
Emergency stop	0.1x10 <sup>6</sup>	20 y

## Downloads

All documentation for this material can be found on our website:

<https://www.euchner.de/en-us/a/088888/?#downloads-tab>

**Ordering data**

Ordernumber	088888
Item designation	RPS3131PR100M
Gross weight	0,557kg
Customs tariff number	85365019000
ECLASS	27-37-12-01 Emergency stop pull cord switch

## Accessories

### Connection material

#### Cable glands M20x1.5, cable Ø 6–12 mm



**086233**  
EKPM20/06 086233

#### Cable glands M20x1.5, cable Ø 6.5–9.5 mm



**077683**  
EKVM20/06

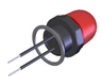
#### Cable glands M20x1.5, cable Ø 9–13 mm



**077684**  
EKVM20/09

### Function expansion

#### Built-in LED, light shines to front



**095510**  
EINBAULEUCHTE LED-F M20X1,5

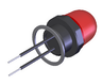


**171343** ▶ Color: transparent  
AY-LED-024-GR/RD-T-171343



**171344** ▶ Color: milky  
AY-LED-024-GR/RD-M-171344

#### Built-in LED, light shines to side



**087423**  
EINBAULEUCHTE LED M20X1,5

### Mounting accessories

#### Eyebolt for rope pull switches



**092495** ▶ Eyebolt with thread M8  
RPS-O-8-50/V5

## Pulley set RPS-P/V1 for rope pull switches



**096251**  
RPS-P-7-70

▶ Rope pulley block Ø 14 mm

## Pulley set RPS-PS/V5 for rope pull switches



**092501**  
RPS-PS/V5

▶ Pulley set consisting of rope pulley block and pulley support

## Quick release head (Quick Fix)



**174877**  
RPS-CMP-40-174877

▶ for RPS with towing eye

## Rope set for rope pull switches



**092496**  
RPS-RS/V5

▶ Rope set consisting of thimble and rope clamp

## Tensioner spring for rope pull switches



**092136**  
RPS-W-100/175

▶ Tensioner spring for tensile force 110 N / 175 N

## Tensioning rope for rope pull switches



**092813**  
RPS-I-3-4/50M

▶ Tensioning rope with 50m length



**092814**  
RPS-I-3-4/100M

▶ Tensioning rope with 100m length

## Turnbuckle for rope pull switches



**092498**  
RPS-B-6-60/V5

▶ Turnbuckle M6 x 60



**092500**

RPS-B-6-110

▶ Turnbuckle M6 x 100