

## SN02R16-502-M (Order no. 082308)

### Series SN... 16 mm, mechanical

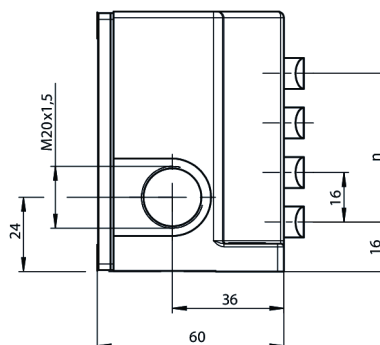
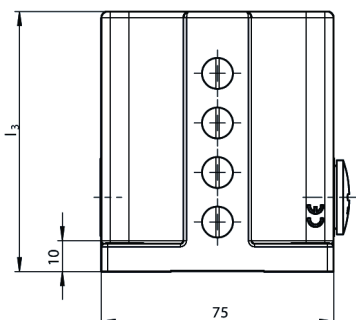
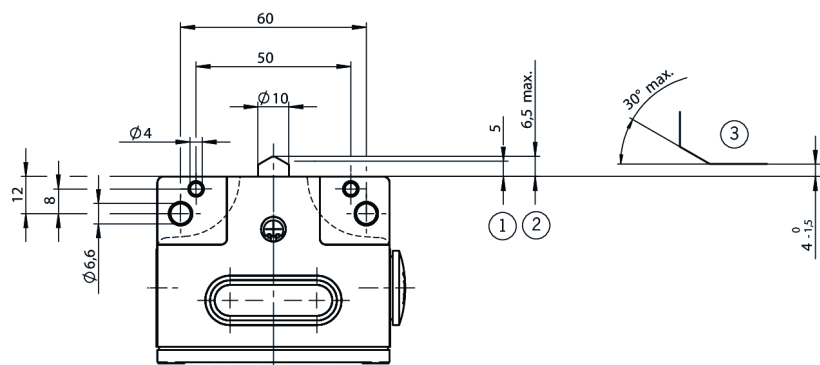
- ▶ Plunger spacing 16 mm
- ▶ Upright housing, small flange
- ▶ Degree of protection IP67 according to IEC 60529



### Switching element

ES 502 E Snap-action switching contact 1 NC + 1 NO

### Dimensional drawings



4	84
3	72
2	48
n	$l_3$
④	

1 Operating point

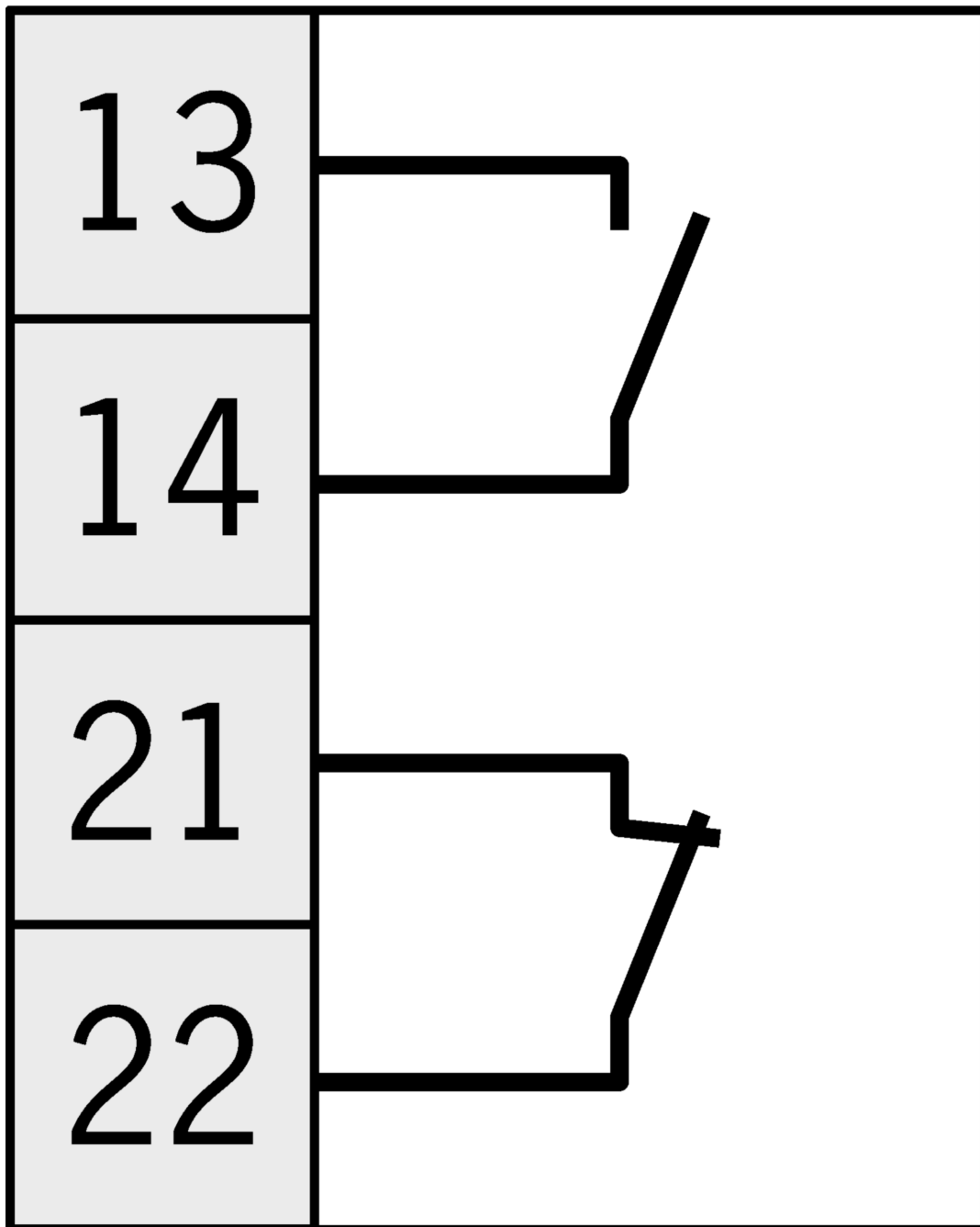
2 Free position

3 Dog

4 n Number of plungers

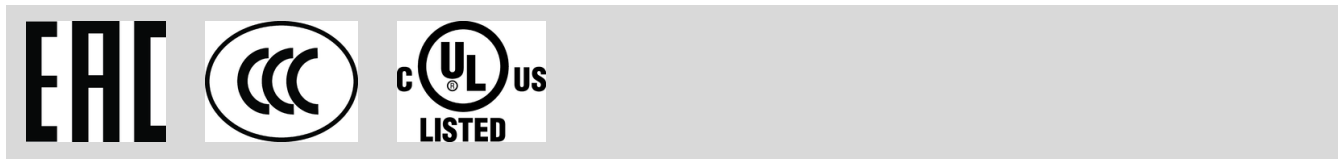
Connection examples

# ES 502 E



## Technical data

### Approvals



### Electrical connection values

Fuse	max. 8 A gG	
Connection cross section	0.34 ... 1.5 mm <sup>2</sup>	
Rated insulation voltage U <sub>i</sub>	250 V	
Rated impulse voltage U <sub>imp</sub>	2.5 kV	
Utilization category		
	DC-13	6 A 24 V
	AC-12	8 A 250 V
	AC-15	6 A 230 V
Switching current		
	min. at DC 12V	min. 10 mA
thermal rated current I <sub>th</sub>	8 A	

### Mechanical values and environment

Anfahrsgeschwindigkeit	0.01 ... 80 m/min	
Connection type	2 x M20 x 1.5	
Number NC contacts	2	
Number of switching elements	2	
Number of NO contacts	2	
Design	upright	
Actuating element	Slide bearing	Roller plunger (Operating point accuracy ± 0.01. The reproducible operating point accuracy refers to the axial travel of the plunger after the switching element ES 502 E has been run-in with approx. 2,000 operating cycles.)
Actuating force	min. 20 N	

Installation orientation	any
Storage temperature	-25 ... 80 °C
Mechanical life	30 x 10 <sup>6</sup>
Switching principle	Snap-action switching contact (Contact closing time<4 Contact bounce time<3)
Degree of protection	IP67
Plunger spacing	16 mm
Ambient temperature	-5 ... 80 °C

**Material**

Housing Die-cast aluminum, anodized

Contact Silver alloy, gold flashed

## Downloads

All documentation for this material can be found on our website:

<https://www.euchner.de/en-us/a/082308/?#downloads-tab>

**Ordering data**

Ordernumber	082308
Item designation	SN02R16-502-M
Gross weight	0,354kg
Global Trade Item Number (GTIN)	4047048003453
Customs tariff number	85365019000
ECLASS	27-27-06-02 Multi-position switch