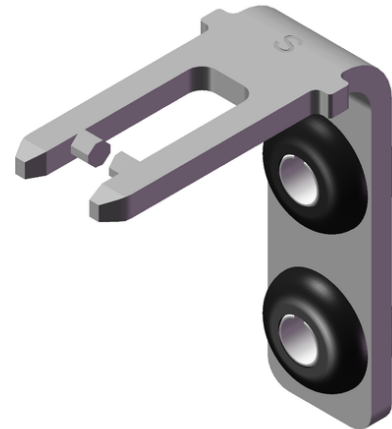


## BETAETIGER-P-WT (Order no. 070038)

### Bent actuator for safety switch NP/GP/TP

- ▶ Actuator made of stainless steel
- ▶ Two stainless-steel safety screws per actuator
- ▶ Actuator with rubber bush



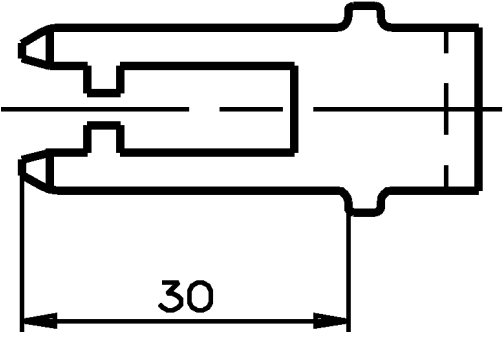
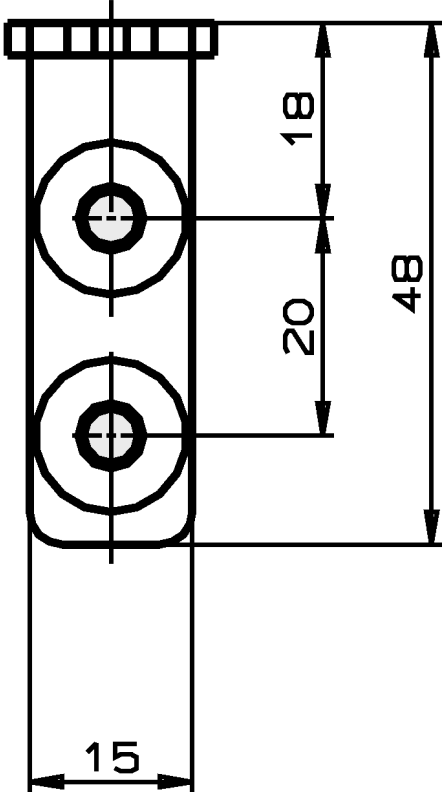
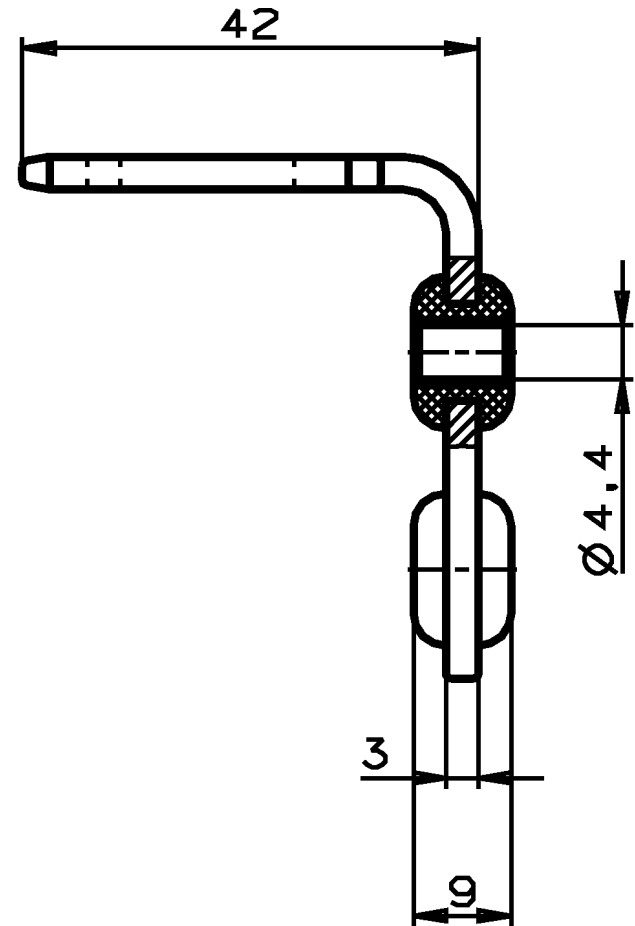
### Actuator with rubber bush

For flexible mounting of the actuator.

### Screws made of stainless steel

The safety screws included can be inserted with a normal tool, but cannot be removed again.

Dimensional drawings



## Technical data

### Mechanical values and environment

Overtravel	max. 2 mm
Door radius	min. 1000 mm
Material	
	Rubber bush NBR
	Actuator Stainless steel
	Screw Stainless steel

### Miscellaneous

Usability of insertion funnel	No
-------------------------------	----

## Downloads

All documentation for this material can be found on our website:

<https://www.euchner.de/en-us/a/070038/?#downloads-tab>

**Ordering data**

Ordernumber	070038
Item designation	BETAETIGER-P-WT
Gross weight	0,03kg
Customs tariff number	85389099990
ECLASS	27-27-26-06 Actuator for safety-related position switch

## Accessories

### Mounting accessories

#### Safety screws M4 x 14

**074063**

M4X14-NIRO/V100

- ▶ Safety screws M4 x 14
- ▶ Screw head diameter: 10 mm
- ▶ Packaging unit 100 pieces

#### Safety screws M4 x 14, large head

**086232**

M4X14-NIRO/V100

- ▶ Safety screws M4 x 14 (large head)
- ▶ Packaging unit 100 pieces