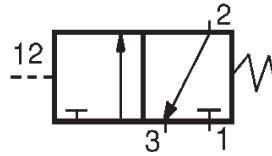


CARTRIDGE Size 14mm for 21-Valve Block on I/S Glass Machines

3/2-Way, Normally Closed, Spring Return — **Red Housing**



**Model Number:
D365H97**

- Optimized flow with nominal Size 14 mm
- Pistons with O-Ring and TEFLON guides for
 - reduced friction
 - reduced housing wear
 - constant response time
- Optimized guidance of moving parts by spacing of pistons
- Optimized poppet alignment to housing seat as design feature
- Robust stainless steel poppets with curled O-Ring
- 2-piston design integrates pressure booster function (see graph)
- Integrated return spring does not interfere with inlet or exhaust flow

DESIGN

Poppet valve: Viton-seals on metal seat.

Body: Aluminum alloy, anodized

Piston: Aluminum alloy

Poppet: Stainless steel

ACTUATION

Maintained pressure signal to pilot, spring returned. Pilot pressure required, see graph below (min. 1 bar recommended)

OPERATION

Signal exhausted: 1 closed, 2 exhausted via 3.

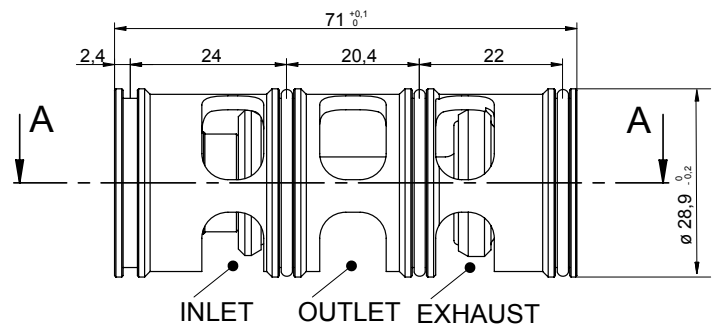
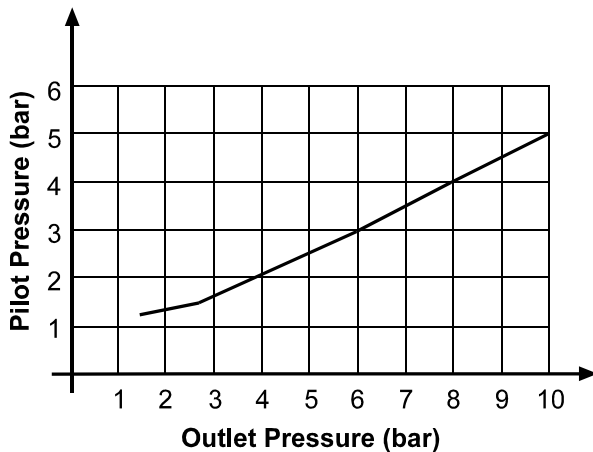
Signal present: 1 open to 2, 3 exhausted.

Operating pressure range: 0 - 10 bar.

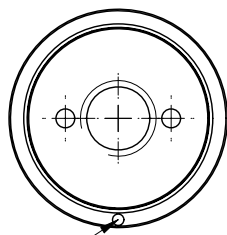
CHARACTERISTICS

Ambient/Media temperature: 4°C to 105°C

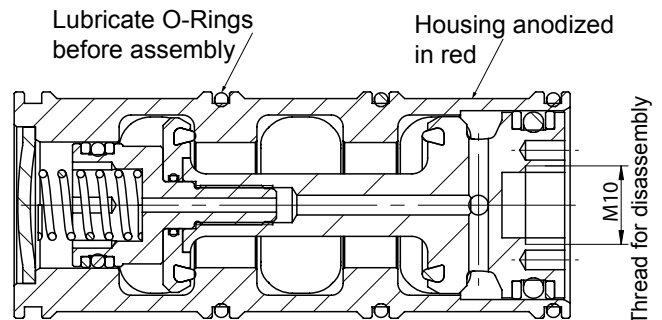
Flow medium: compressed air, filtered



Section A-A



Mark for assembly, max. flow



Subject to technical change.