

Linear measuring technology

Draw-wire encoder A50	Performance-Line	Measuring length max. 1.25 m
------------------------------	-------------------------	-------------------------------------



The draw-wire mechanics A50 boast both a compact design and high dynamics.

The draw-wire mechanics may be equipped with encoders with an analog, incremental or absolute output. The maximum measuring length is 1.25 m.

Analog output



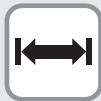
CANopen

SAE J1939

IO-Link



Max. acceleration



Long service life



Wide temperature range



High protection level



Reverse polarity protection



Integrated swivel

Robust

- The titanium-anodized aluminum housing and the stainless steel wires allow for using the mechanics even in harsh conditions.
- Wear-free wire exit thanks to special plain bearing guide.
- Various wire types and wire fastenings.

Versatile

- High traverse speed, up to 10 m/s.
- High acceleration, up to 300 m/s².
- Quick fastening by means of 2 screws.
- Various connection possibilities available.
- Scalable analog output with limit switch function.

Order code with encoder (incremental, absolute)

D8.6A1 . **XXXX** . **XX XX** . **XXXX**
Type a b c d e

- a** *Measuring range*
 0025 = 250 mm
 0050 = 500 mm
 0100 = 1000 mm
 0125 = 1250 mm

- b** *Encoder used*
 36 = Sendix 3610, incremental
 M3 = Sendix M3663, absolute, SSI
 F3 = Sendix F3663, absolute, SSI
 M8 = Sendix M3668, absolute, CANopen
 Sendix M3668, absolute, SAE J1939
 Sendix M3668, absolute, IO-Link
 F8 = Sendix F3668, absolute, CANopen

- c** *Output circuit*
 depends on the encoder used
- d** *Type of connection*
 depends on the encoder used
- e** *Resolution / Protocol / Options*
 depends on the encoder used

- Optional on request*
- Other measuring ranges
 - Other wire fastening: M4 thread, eyelet or carabiner ring
 - Modified cable and/or connector orientation
 - Modified cable outlet direction
 - Sensor protection level IP67
 - Improved linearity (0.02 %)


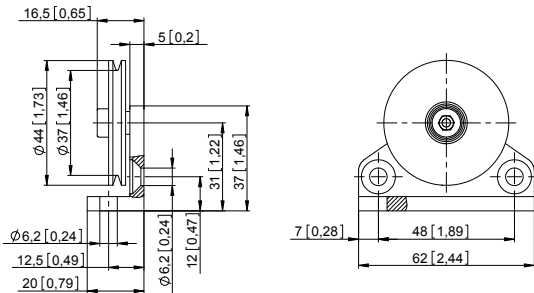
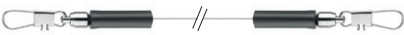
Standard resolutions for draw-wire with incremental encoder Sendix 3610

Drum circumference [mm]	125	125	125
Pulses / revolution [ppr]	125	1250	2500
Pulses / mm	1	10	20
Resolution [mm]	1	0.1	0.05

Standard resolutions for draw-wire with absolute encoder Sendix F3663/M3663 (12 bit ST) or F3668/M3668 (12 bit ST, programmable via bus)

Drum circumference [mm]	125
Pulses / revolution [ppr]	4096
Pulses / mm	32.8
Resolution [mm]	0.03

Linear measuring technology

Draw-wire encoder A50	Performance-Line	Measuring length max. 1.25 m
Accessories for draw-wire encoder	Dimensions in mm [inch]	Order no.
Guide pulley 	Technical data: - mounting bracket (anodized alum.) - guide pulley (plastic POM) - ball bearing (type 696-2R5)	Scope of delivery: - 2 x countersunk screws for lateral fixing - 2 x hexagonal screws for fixing on a flat surface
		8.0000.7000.0045
Extension cable (further on request) 	0.5 m with clip 1.0 m with clip 2.0 m with clip	8.0000.7000.0051 8.0000.7000.0052 8.0000.7000.0054
Cables and connectors		Order no.
Preassembled cables	M12 female connector with coupling nut, 5-pin, A coded, straight single ended 2 m [6.56'] PVC cable	05.00.6081.2211.002M
Connectors	M12 female connector with coupling nut, 5-pin, A coded, straight (metal) M12 female connector with coupling nut, 5-pin, A coded, straight (metal/plastic) M12 female connector with coupling nut, 5-pin, A coded, right-angle (plastic)	8.0000.5116.0000 05.B-8151-0/9 05.B-8251-0/9

Further Kübler cables and connectors can be found at: kuebler.com/connection-technology

Linear measuring technology

Draw-wire encoder A50	Performance-Line	Measuring length max. 1.25 m
------------------------------	-------------------------	-------------------------------------

Technical data

Mechanical characteristics (draw-wire mechanics)				
Measuring range	250 mm	500 mm	1250 mm	
Extension force	F_{min}	6.8 N	3.4 N	4.1 N
	F_{max}	7.9 N	4.0 N	5.4 N
Speed max.	8 m/s	8 m/s	10 m/s	
Acceleration max.	200 m/s ²	200 m/s ²	300 m/s ²	
Linearity (of the measuring range)				
with analog sensor	±0.15 %	±0.1 %	±0.1 %	
with encoder	±0.05 %	±0.05 %	±0.05 %	
	±0.02 % ¹⁾	±0.02 % ¹⁾	±0.02 % ¹⁾	
Weight	approx. 330 g [11.64 oz] (depending on the sensor / encoder used)			
Material	housing	titanium-anodized aluminum		
	wire	stainless steel ø 0.5 mm (other wire types on request)		
Protection acc. to EN 60529	IP65 (sensor)			

Electrical characteristics (digital output)
The electrical characteristics of the draw-wire mechanics with digital output can be found in the data sheets of the encoders.

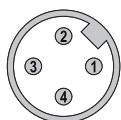
Approvals
CE compliant in accordance with
EMC Directive 2014/30/EU
RoHS Directive 2011/65/EU

Electrical characteristics (analog sensor, scaled to measuring range)			
Version	A22	A11	A33
Analog output	0 ... 10 V	4 ... 20 mA	potentiometer
Output	0 ... 10 V / galv. isolated, 4 conductors	4 ... 20 mA / 2 conductors	1 kΩ
Supply voltage	12 ... 30 V DC	12 ... 30 V DC	max. 30 V DC
Recommended slider current	–	–	< 1 μA
Max. current consumption	22.5 mA (no load)	50 mA	–
Reverse polarity protection	yes	yes	–
Working temperature	-20 °C ... +85 °C [-4 °F ... +185 °F]	-20 °C ... +85 °C [-4 °F ... +185 °F]	-20 °C ... +85 °C [-4 °F ... +185 °F]
	-40 °C ... +85 °C [-40 °F ... +185 °F] ²⁾	-40 °C ... +85 °C [-40 °F ... +185 °F] ²⁾	-20 °C ... +120 °C [-4 °F ... +248 °F] ²⁾

Terminal assignment (analog sensor)

Analog sensor A11 (4 ... 20 mA)			R/I converter				
		Signal:	+V	n.c.	I _{out}	n.c.	
	Cable ¹⁾	Core color:	BN	WH	BU	BK	
	M12 connector, 4-pin	Pin:	1	2	3	4	
Analog sensor A22 (0 ... 10 V DC)			R/U converter				
		Signal:	+V	U _{out}	0 V	0 V _{out}	
	Cable ¹⁾	Core color:	BN	WH	BU	BK	
	M12 connector, 4-pin	Pin:	1	2	3	4	
Analog sensor A33 (Potentiometer 10 kΩ)			Potentiometer				
		Signal:	+V	Out	0 V	n.c.	
	Cable ¹⁾	Core color:	BN	WH	BU	BK	
	M12 connector, 4-pin	Pin:	1	2	3	4	

Top view of mating side, male contact base



M12 connector, 4-pin

1) On request for encoder version: **36** (see order code **b**).
2) Optional on request.

Linear measuring technology

Draw-wire encoder A50	Performance-Line	Measuring length max. 1.25 m
------------------------------	-------------------------	-------------------------------------

Technology in detail

Operating principle

Construction
The core of a draw-wire device is a drum mounted on bearings, onto which a wire is wound. Winding takes place via a spring-loaded device.

Note
Exceeding the maximum extension length of the draw-wire will lead to damage to the wire and the mechanics.

Wire fastenings

<p>Clip D8.xx1.xxxx.xxxx</p>	<p>M4 thread D8.xxA.xxxx.xxxx</p>	<p>Eyelet D8.xxJ.xxxx.xxxx</p>	<p>Carabiner ring D8.xxM.xxxx.xxxx</p>	<p>ball-bearing swivel (no torsion of the measuring wire during installation)</p> <p>rubber stopper</p> <p>measuring wire</p>
---	--	---	---	---

Linear measuring technology

Draw-wire encoder A50

Performance-Line

Measuring length max. 1.25 m

Technology in detail

Extension wire

For optimum use of the measuring range by extending the wire length, e. g. to allow realizing a pre-extension in the application. Especially combined with analog interfaces.

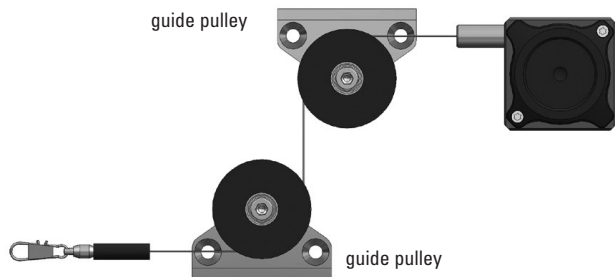


Wire types

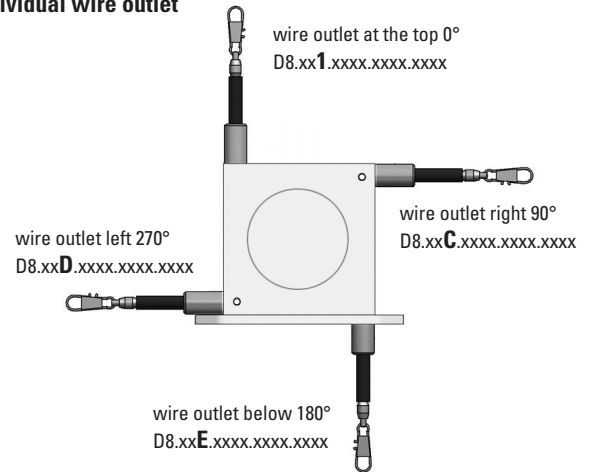
- V2A, \varnothing 0.5 mm (standard)
- Optional on request:
 - V4A, \varnothing 0.51 mm
 - Coramid, \varnothing 0.6 mm
 - V4A plastic coated, 1.0 mm (V4A = \varnothing 0.81 mm)



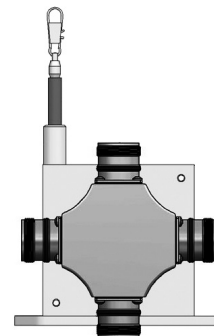
Application-specific installation possibilities



Individual wire outlet



Individual cable / connector orientation on request



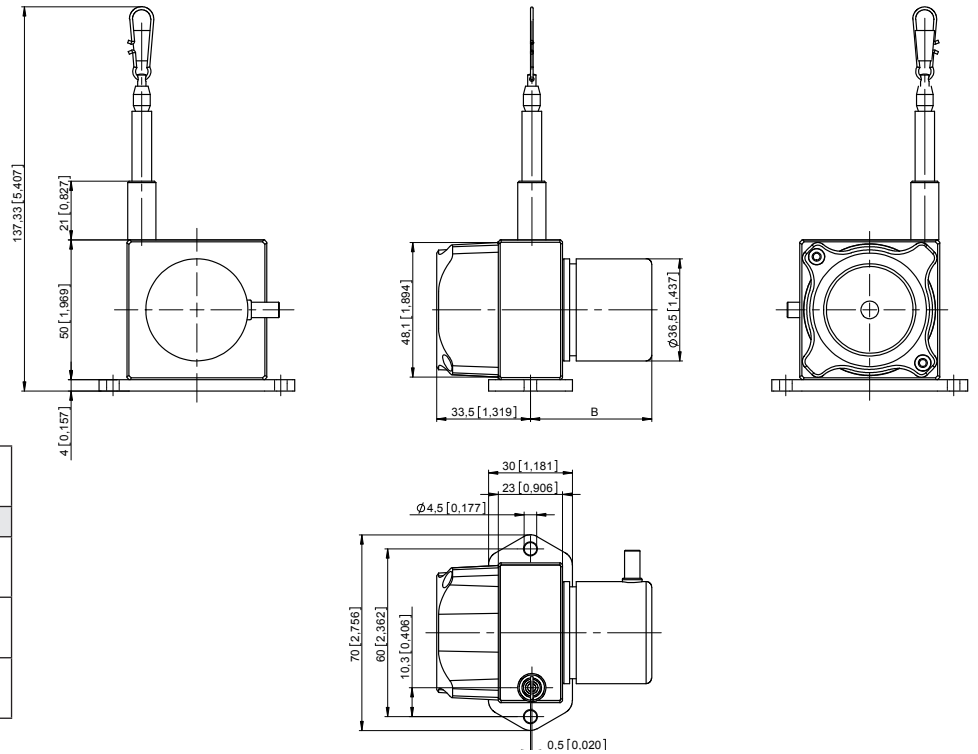
Linear measuring technology

Draw-wire encoder A50 Performance-Line Measuring length max. 1.25 m

Dimensions

Dimensions in mm [inch]

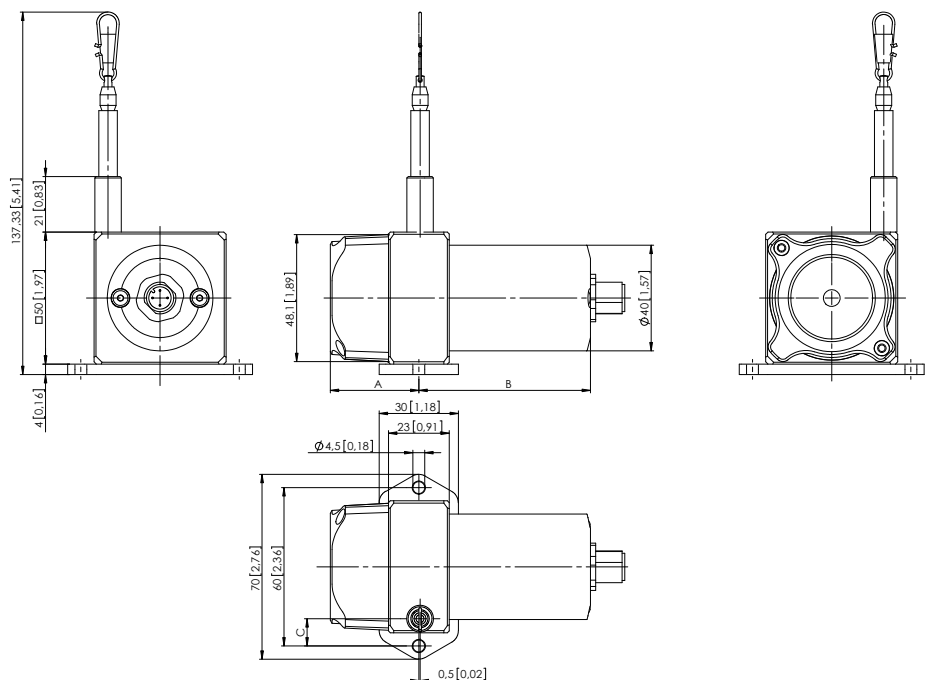
Draw-wire mechanics with encoder



Dimension B depends on the encoder used

Encoder	B
Sendix incremental 3610 D8.6A1.xxxx.36xx.xxxx	43.00 [1.69]
Sendix absolute M366x D8.6A1.xxxx.Mxxx.xxxx	62.45 [2.46]
Sendix absolute F366x D8.6A1.xxxx.Fxxx.xxxx	51.20 [2.02]

Draw-wire mechanics with analog sensor (scaled on measuring range)



Sensor type	Measuring length	A	B	C
Potentiometer	250 mm	26.5 [1.04]	65 [2.56]	21.30 [0.84]
	500 mm	26.5 [1.04]	65 [2.56]	12.75 [0.50]
	1250 mm	33.5 [1.32]	65 [2.56]	10.30 [0.41]